

This catalog covers:

'10~'11 EX250 KAF/KBF

GRID NO.

A-1

This grid covers:

Title



PARTS CATALOG

'10~'11 EX250 KAF/KBF

(Ninja 250R)

Publications	A-2
Model Identification	A-4
Engine	B-1
Chassis.....	D-1

© Kawasaki Heavy Industries, Ltd. 2010

Engine No. Location:

RH top crankcase, below carburetor

Year & Model

'10 EX250KAF

Color

- 1. Ebony (H8)
- 2. Lime Green (777)

VIN No. Range

Start No. : JKAEXMK189HT22257
 End No. : JKAEXMK1EAHT28541

'11 EX250KBF

- 1. Ebony (H8)
- 2. Lime Green (777)

Start No. : JKAEXMK1FAHT28885

This catalog covers:

'10~'11 EX250 KAF/KBF

GRID NO.

A-2

This grid covers:

Publications

Year & Model	Owner's Manual	A&P Manual		Service Manual		Microche
		General	Supplement	Basic	Supplement	
2010 EX250KAF						
2011 EX250KBF						

This catalog covers:

'10~'11 EX250 KAF/KBF

GRID NO.

A-4

This grid covers:

Model I.D. '10~'11 EX250 KAF/KBF

EX250KAF

Left Side View



Right Side View



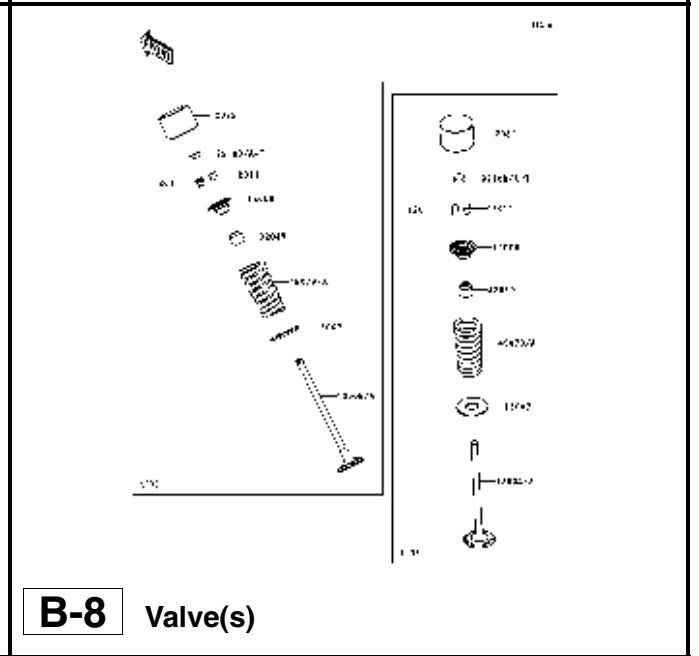
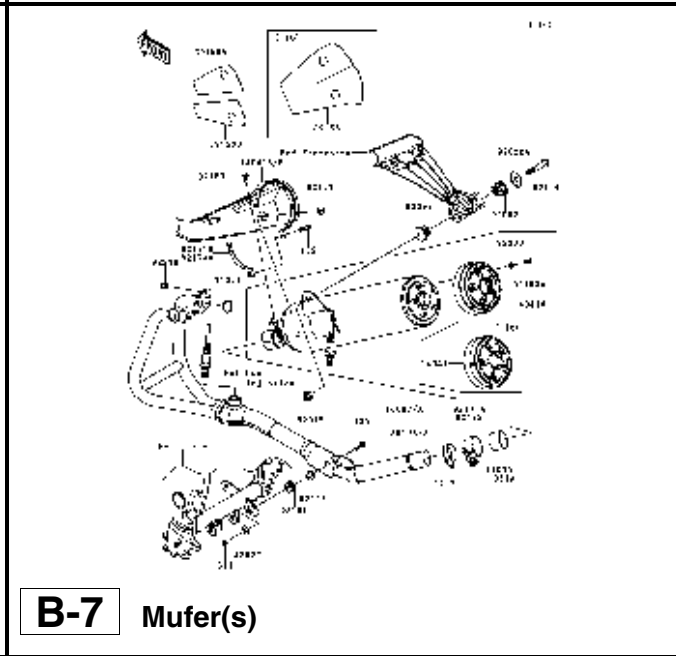
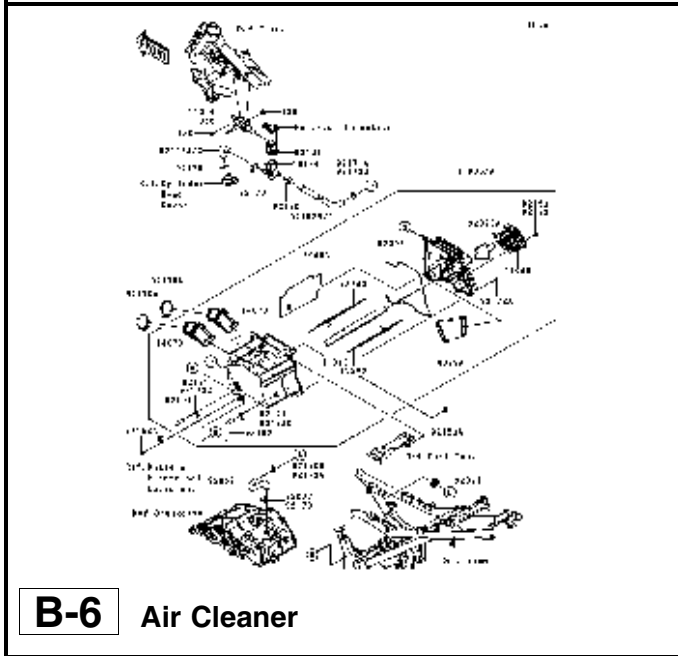
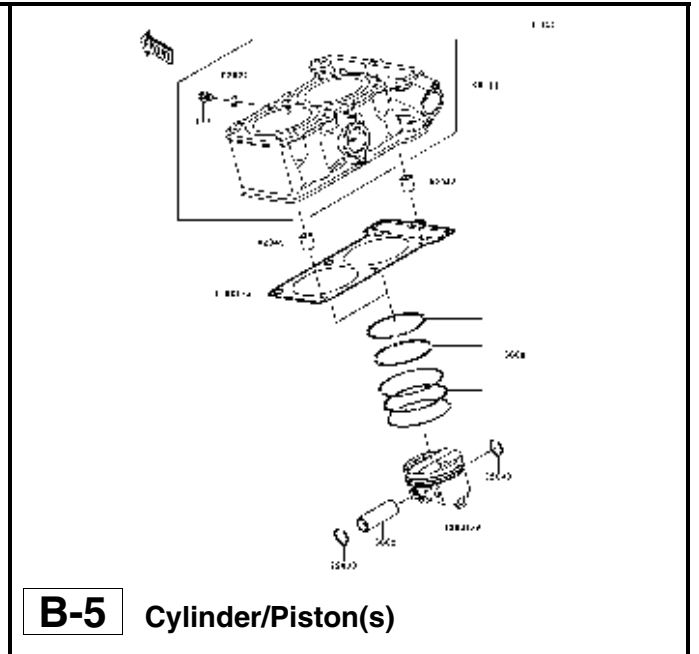
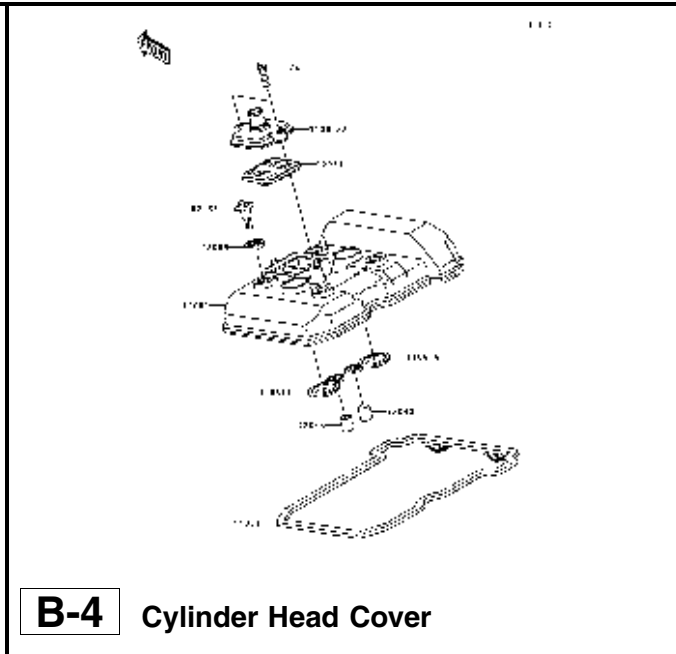
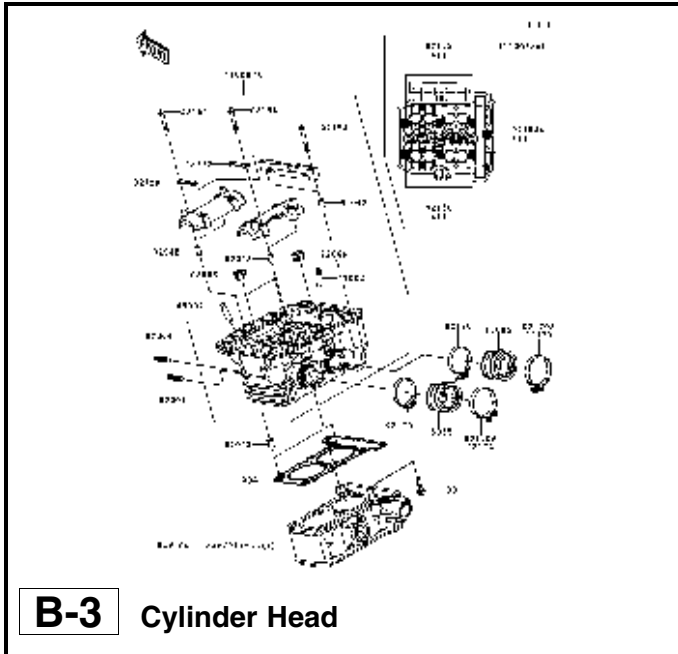
EX250KBF

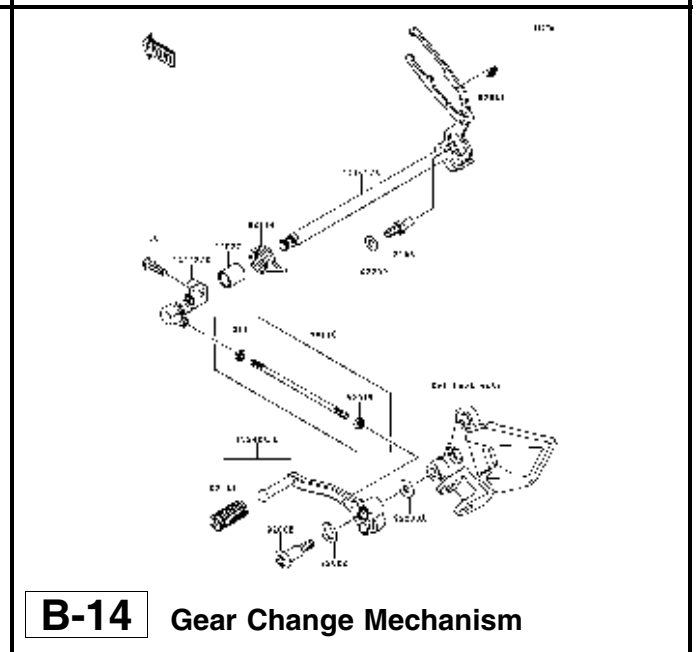
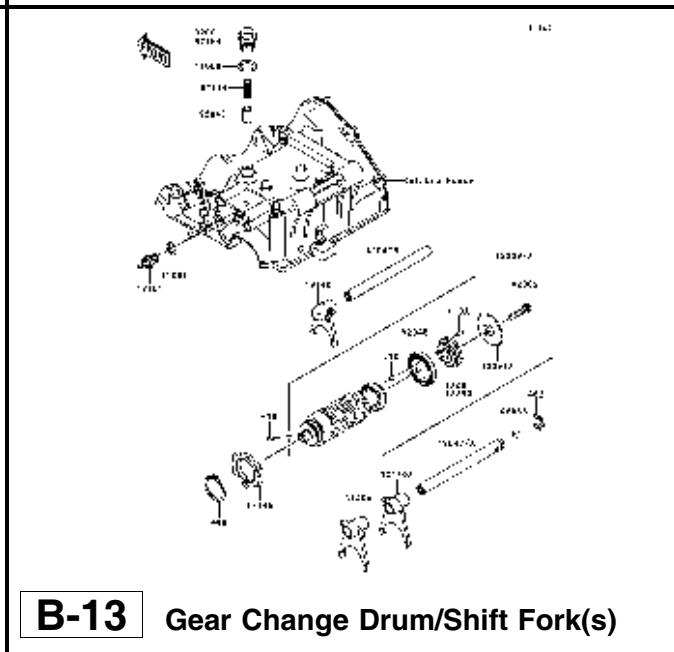
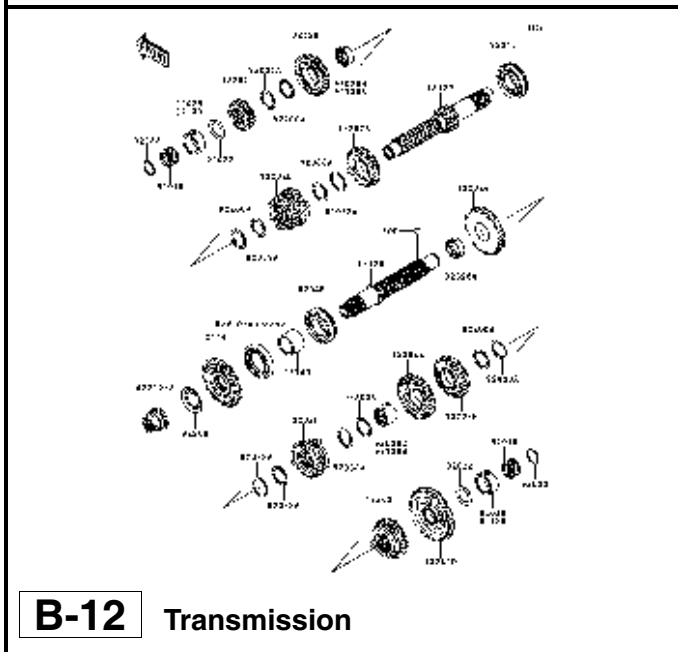
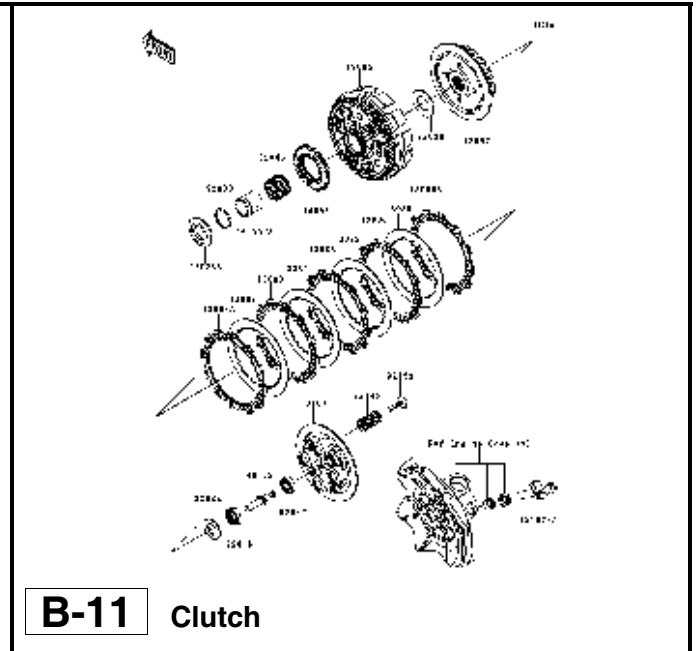
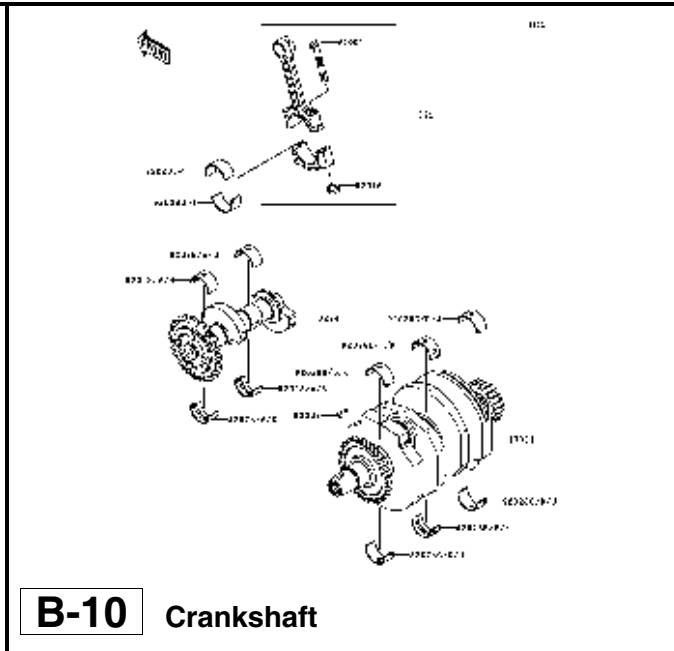
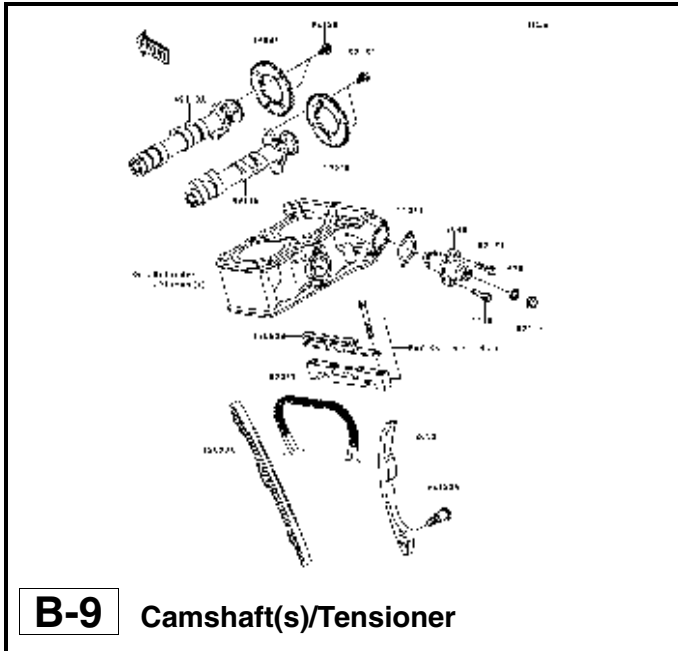
Left Side View

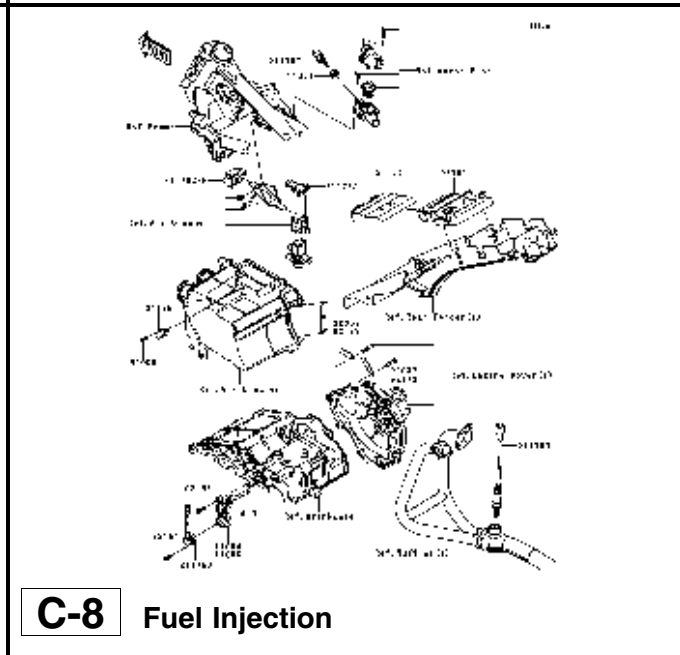
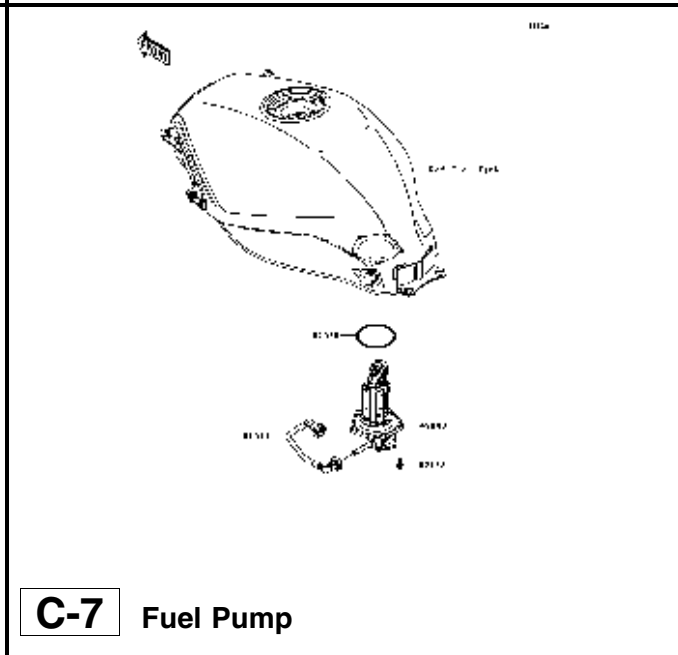
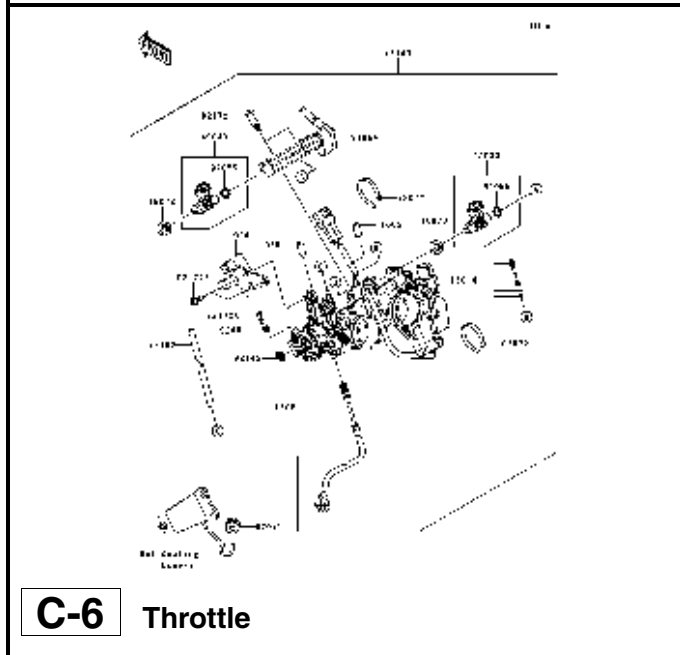
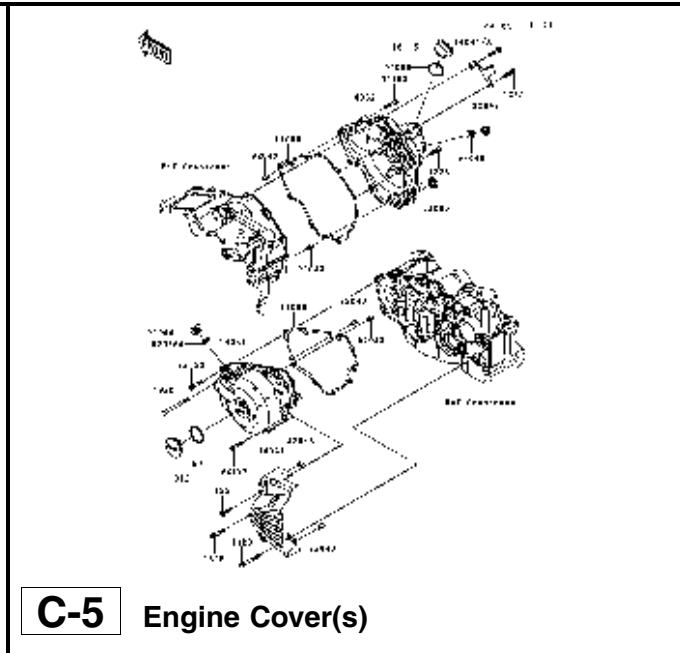
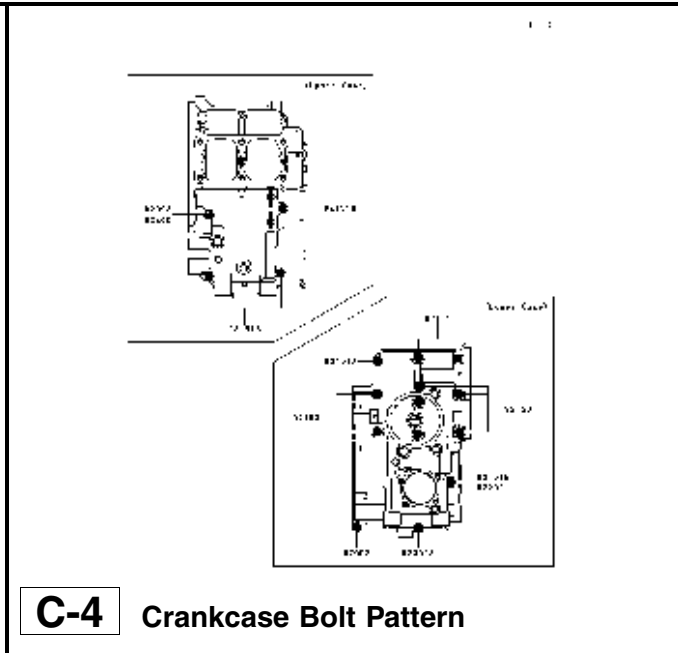
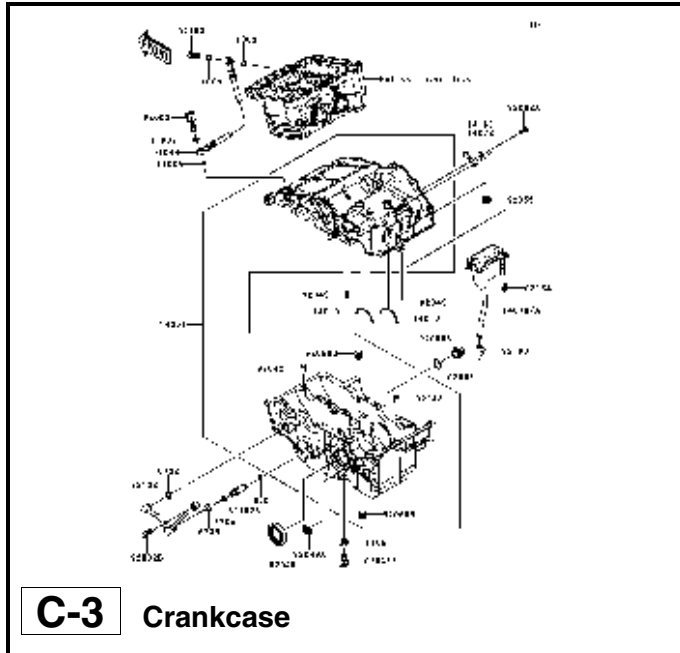


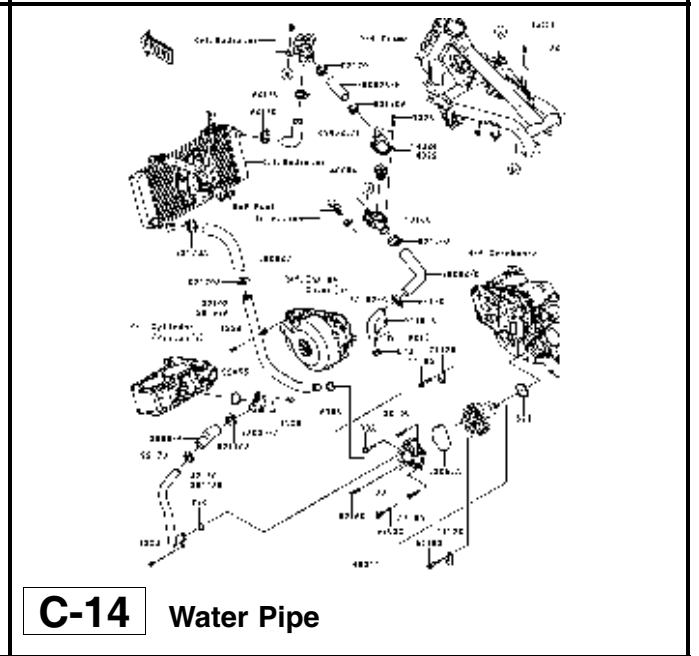
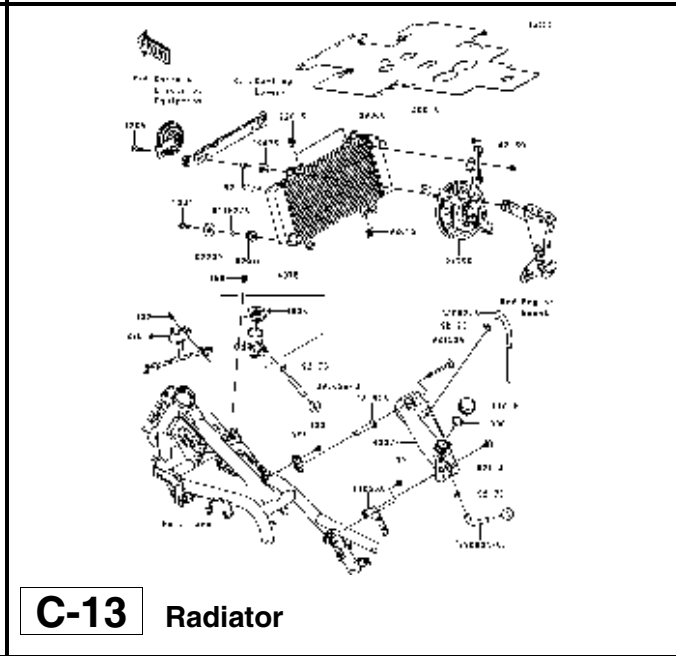
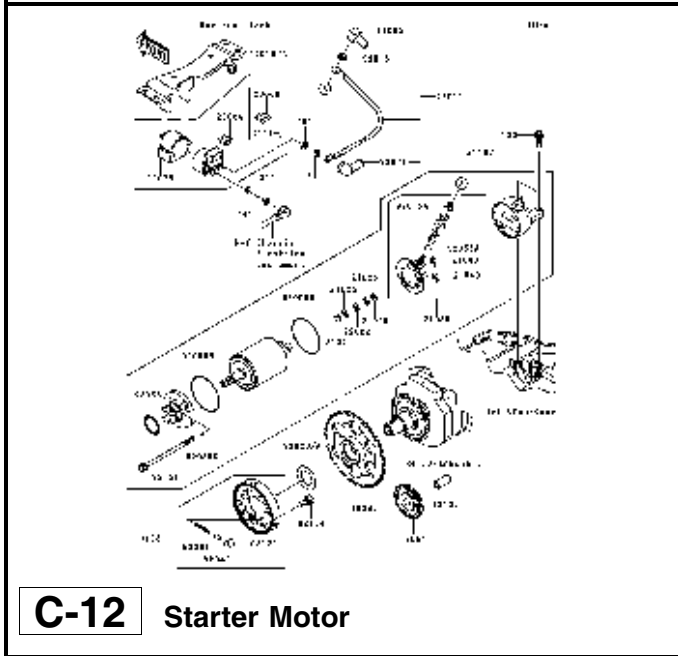
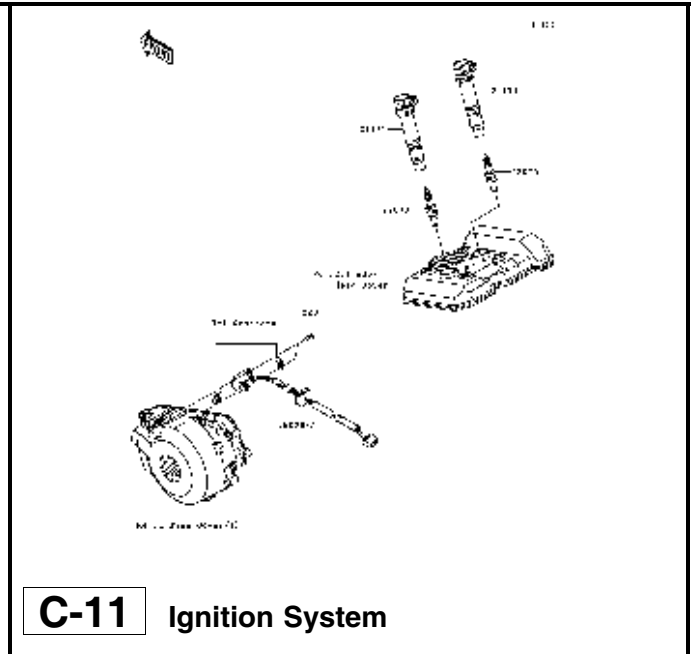
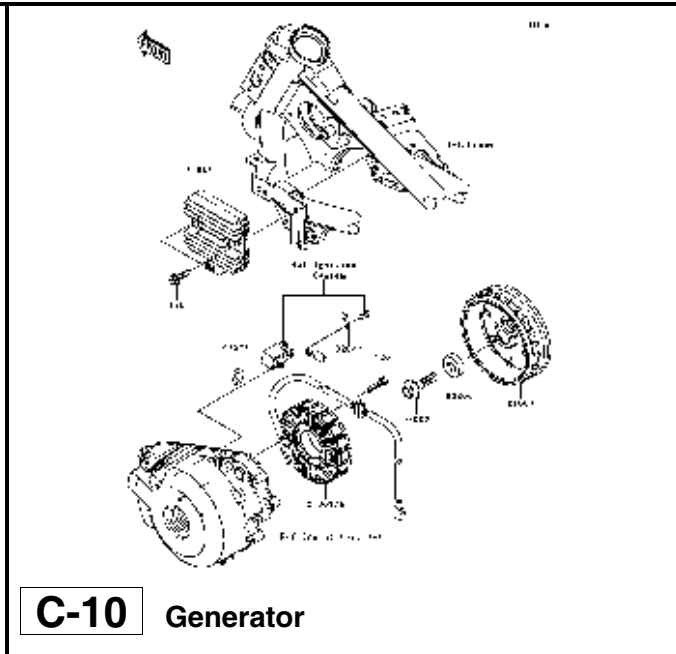
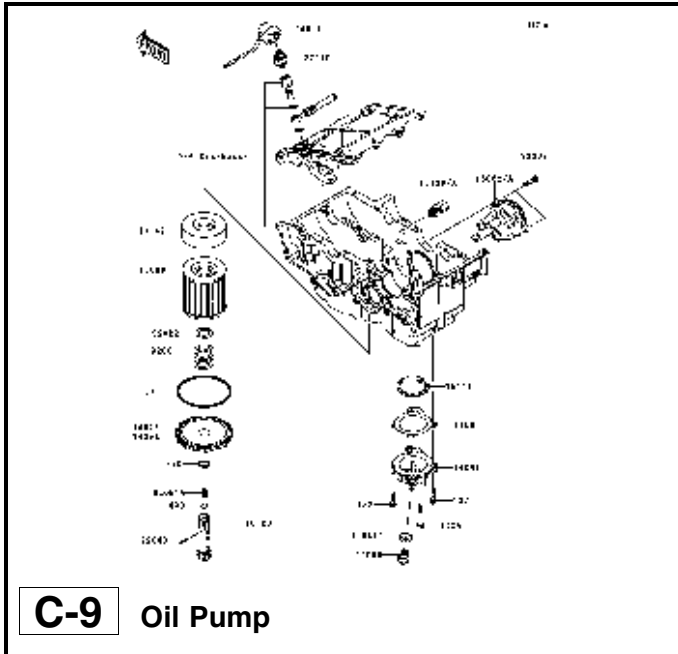
Right Side View

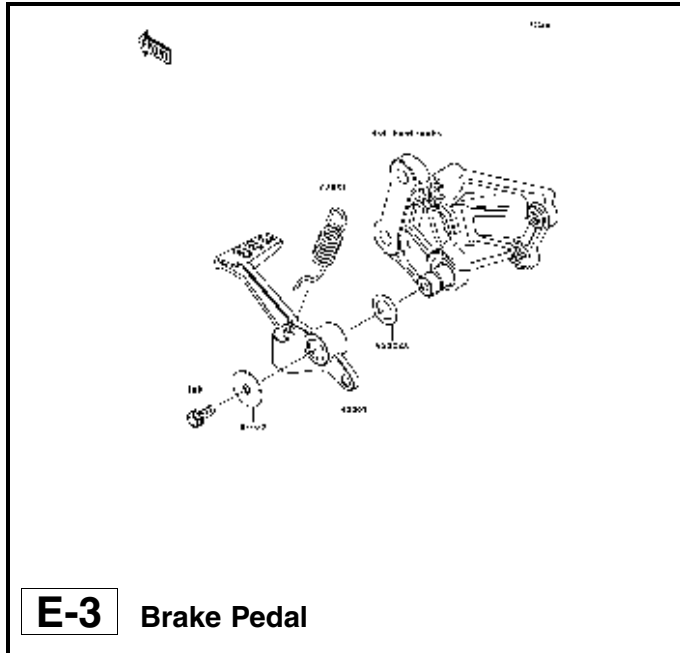




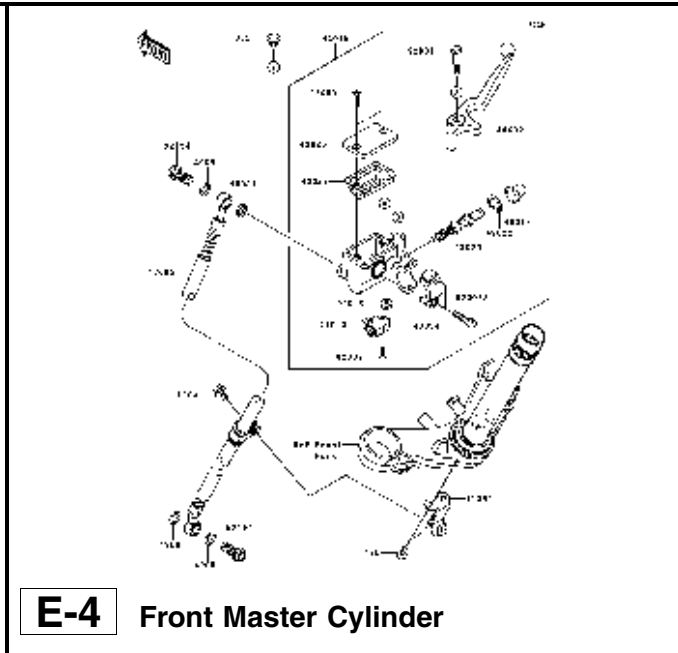




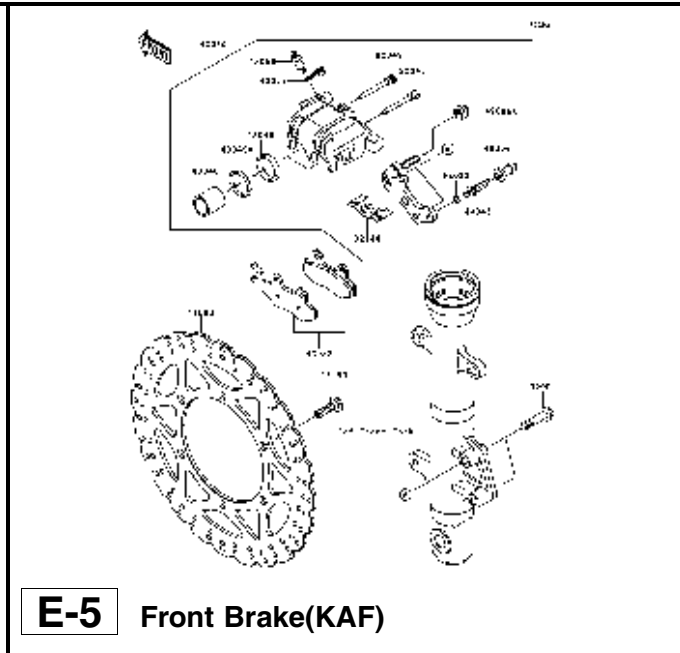




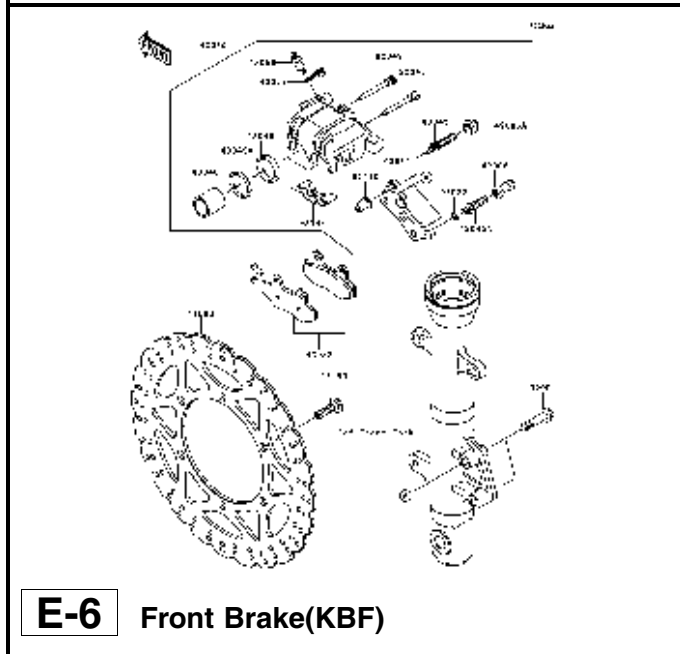
E-3 Brake Pedal



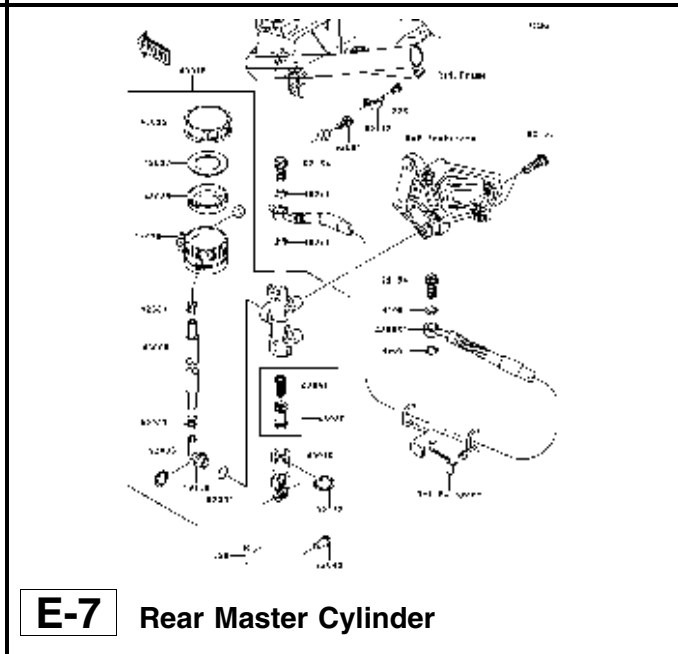
E-4 Front Master Cylinder



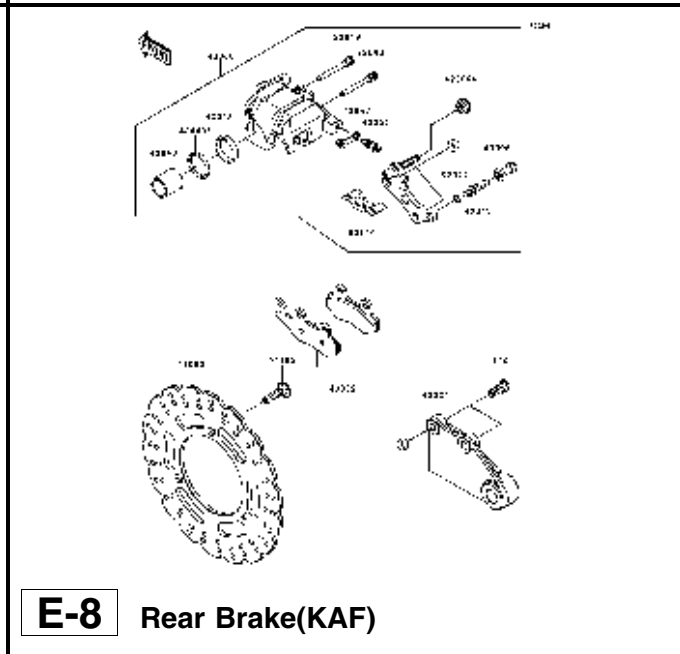
E-5 Front Brake(KAF)



E-6 Front Brake(KBF)



E-7 Rear Master Cylinder



E-8 Rear Brake(KAF)

This catalog covers:

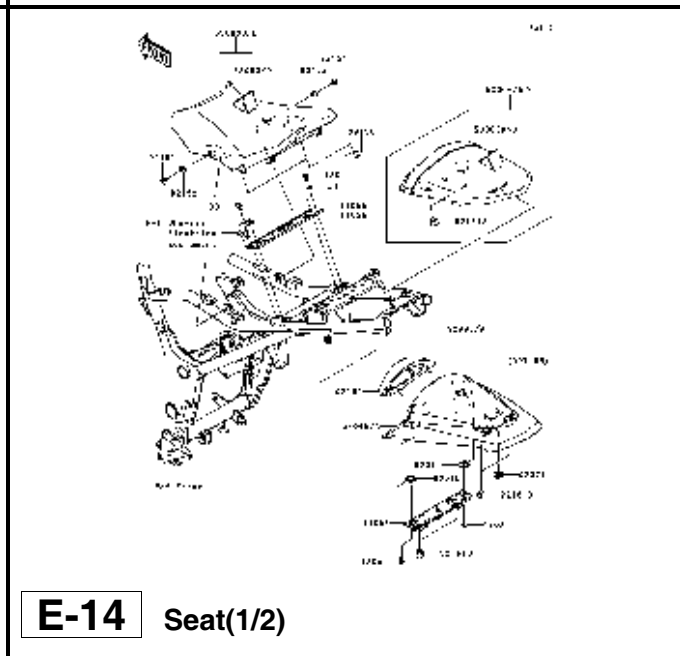
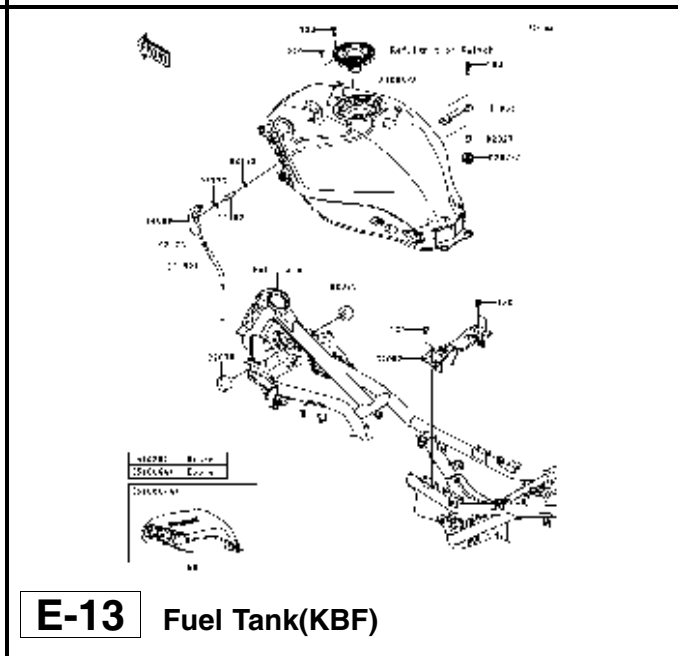
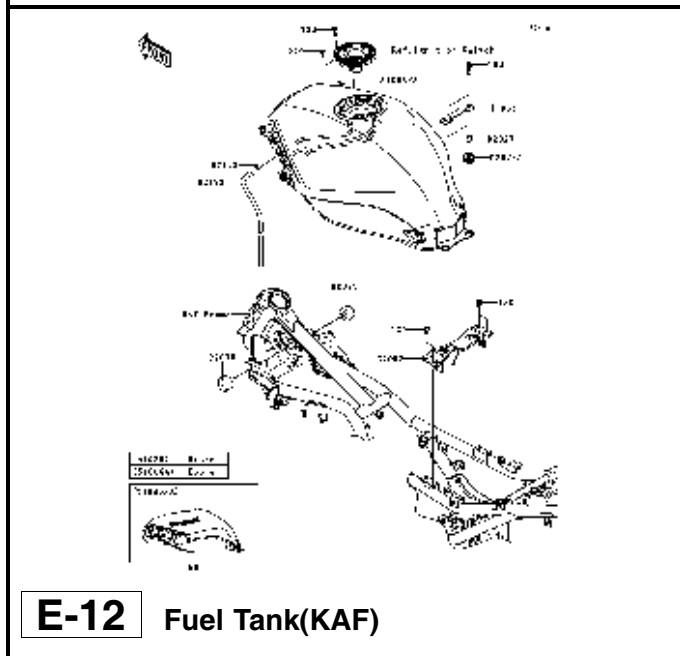
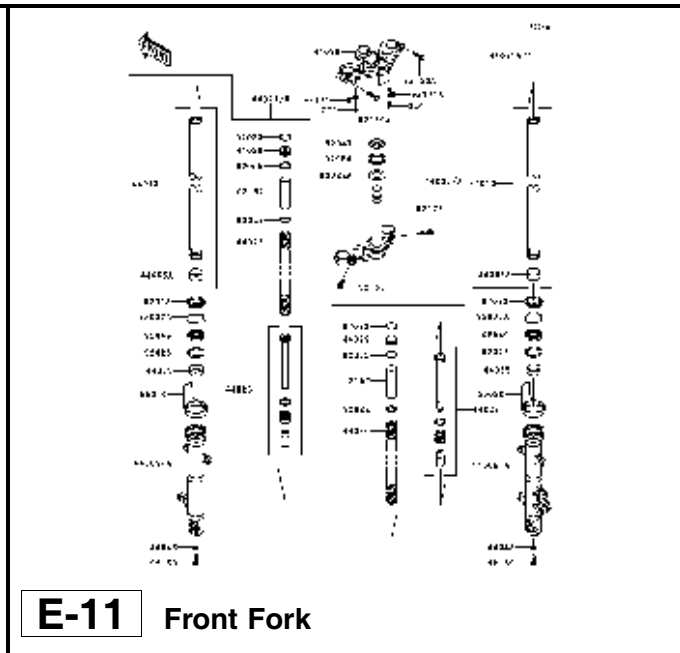
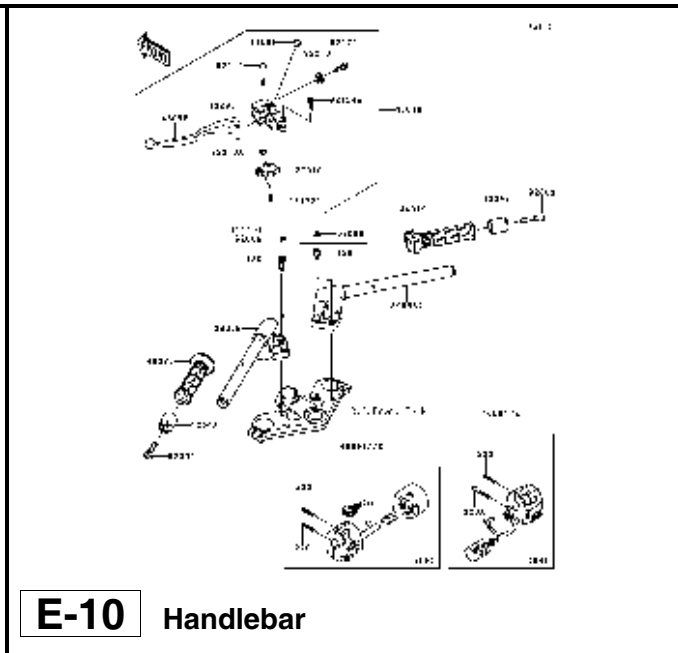
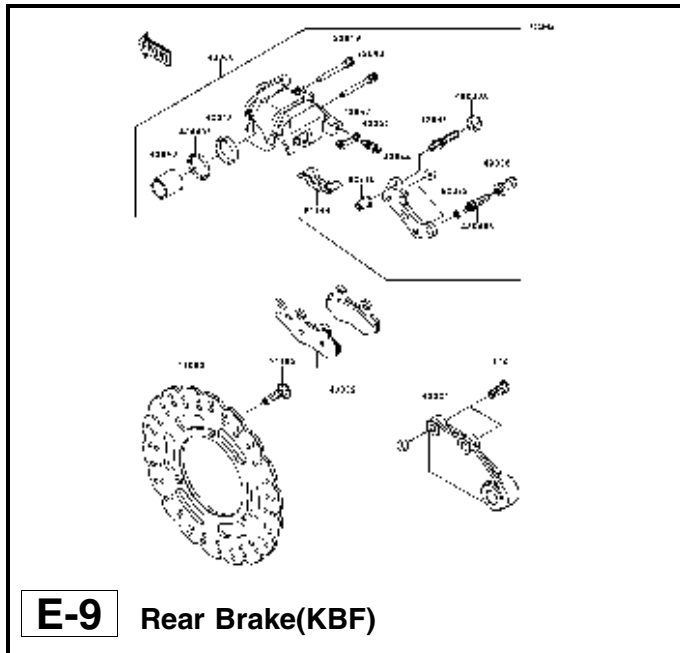
'10~'11 EX250 KAF/KBF Chassis

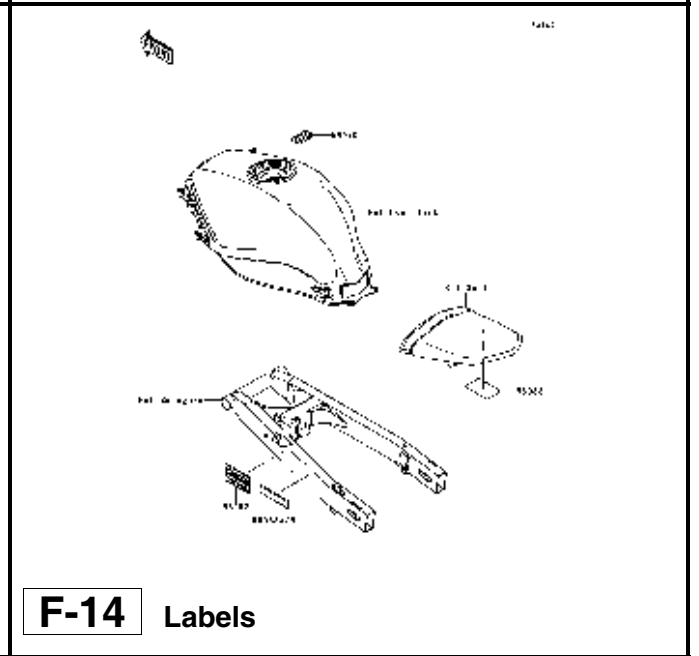
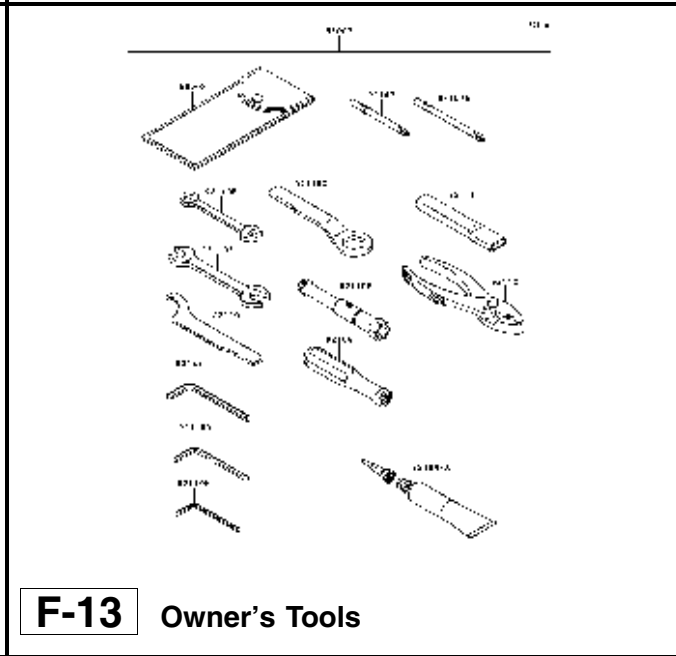
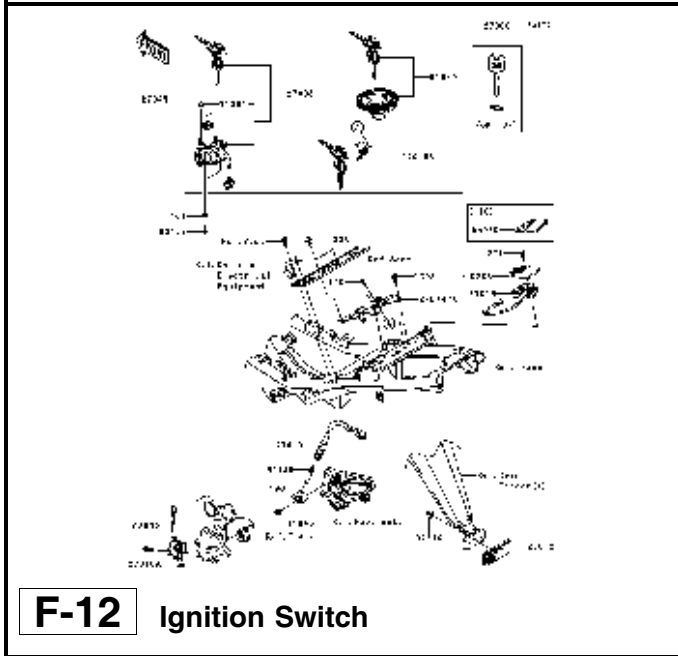
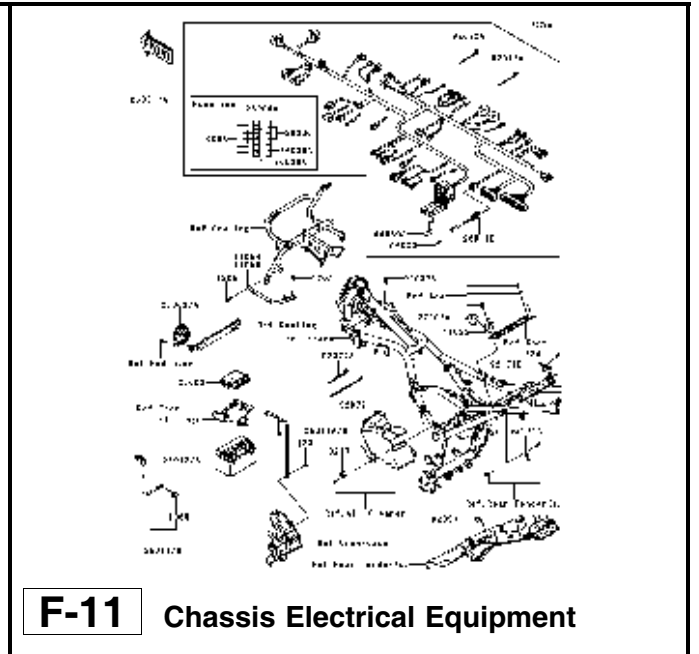
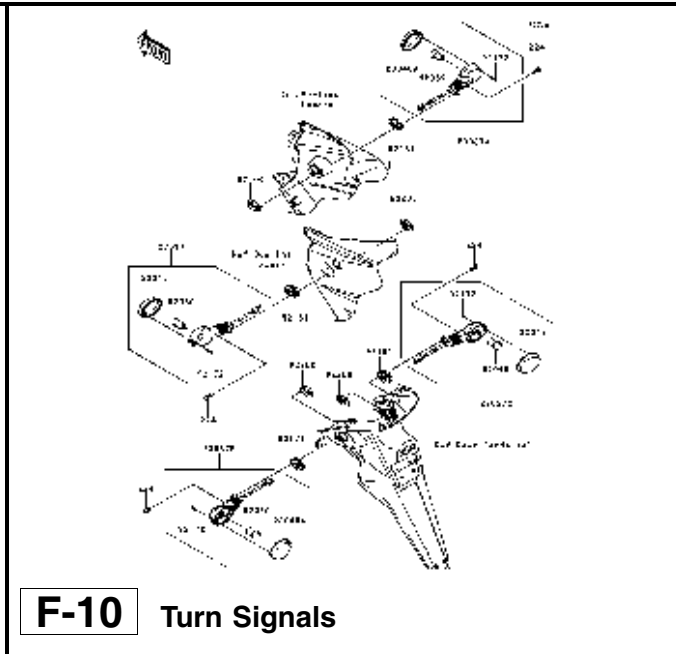
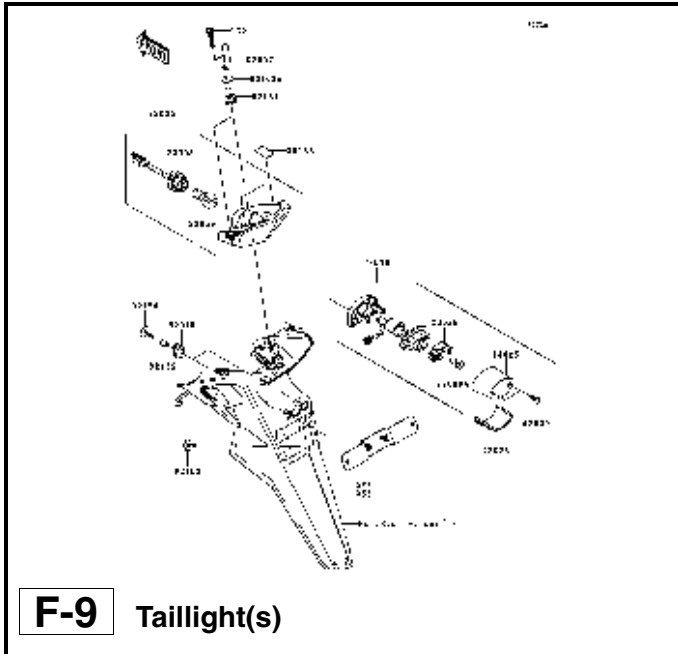
GRID NO.

E-2

This grid covers:

Pictorial Index





This catalog covers:

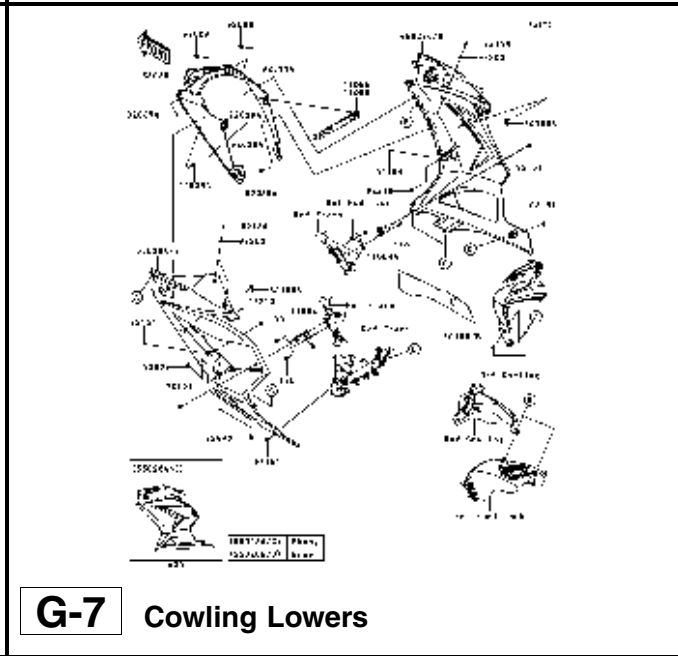
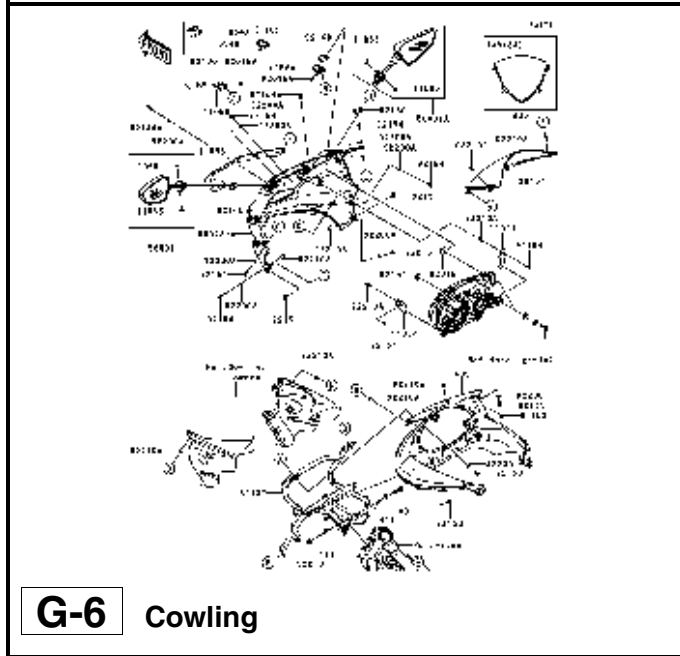
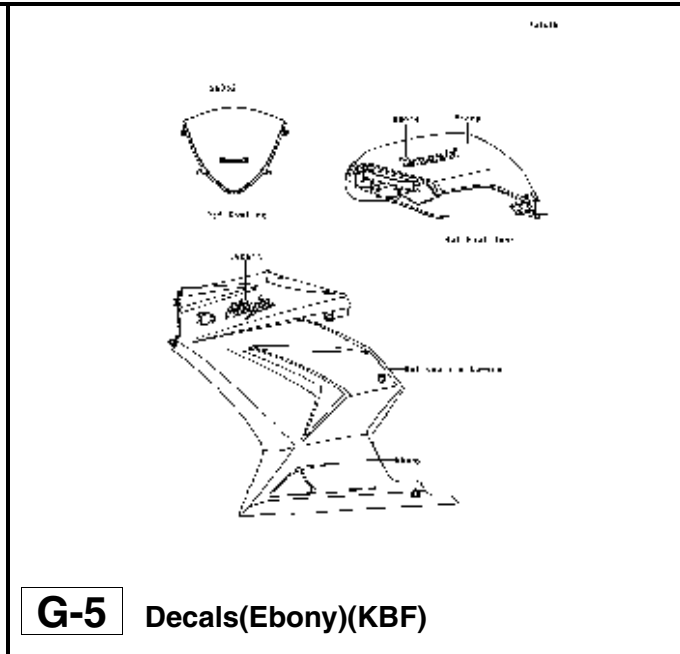
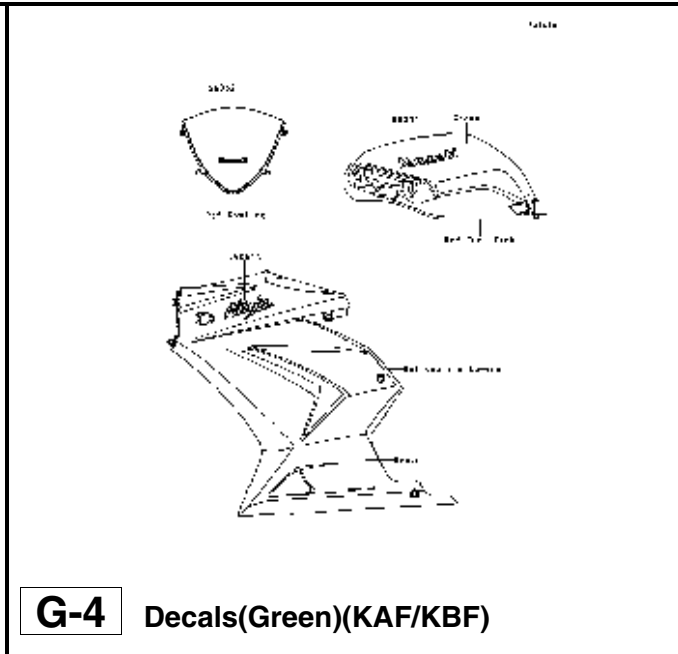
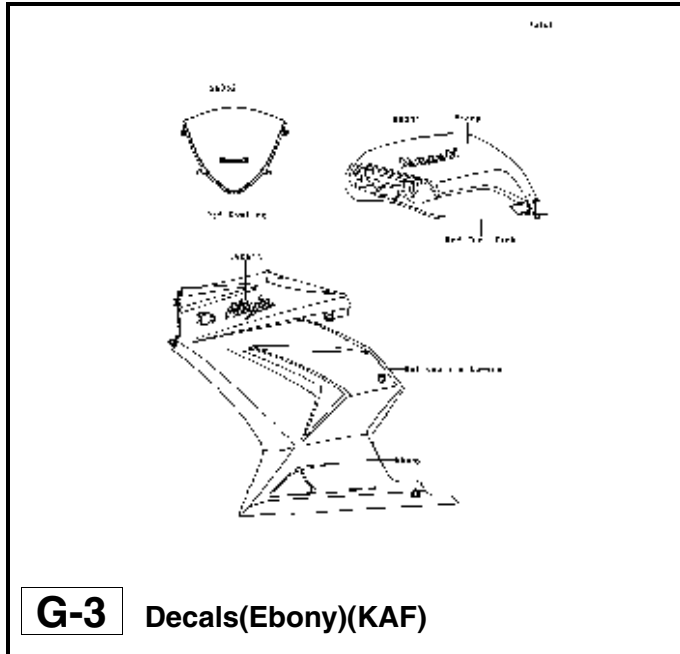
'10~'11 EX250 KAF/KBF Chassis

GRID NO.

G-1

This grid covers:

Pictorial Index



This catalog covers:

'10~'11 EX250 KAF/KBF Chassis

GRID NO.

G-2

This grid covers:

Pictorial Index

This catalog covers:

'10~'11 EX250 KAF/KBF Engine

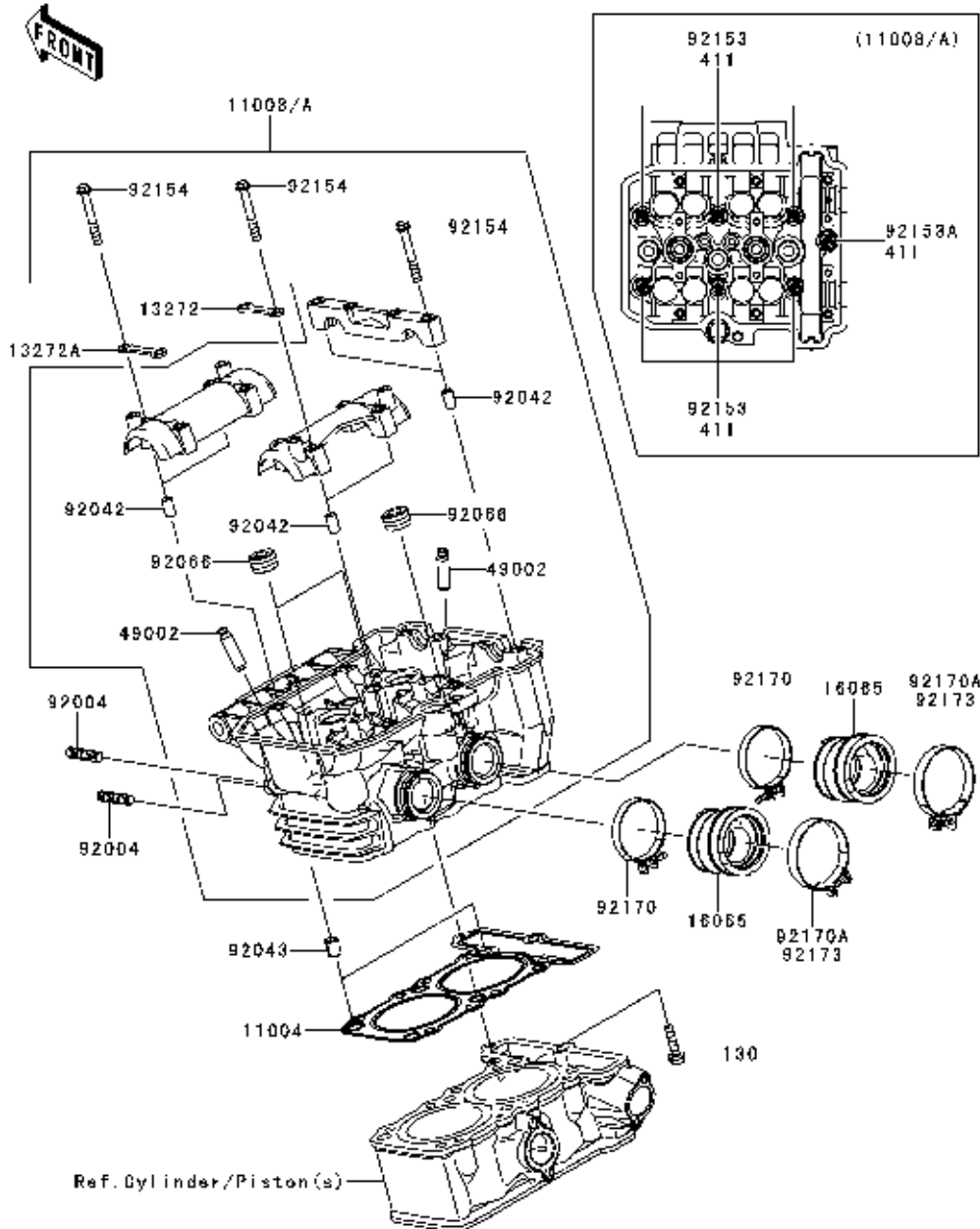
GRID NO.

B-3

This grid covers:

Cylinder Head

E1111



Ref. No.	BAL Part No.	Description	Spec Code	Quantity		KHI Ref. No.
				'10	'11	
				KAF	KBF	
11004	PB511002	GASKET-HEAD		1	1	11004-0080
11008	PB511000	HEAD-COMP-CYLINDER		1		11008-0119
11008A	PB511017	HEAD-COMP-CYLINDER			1	11008-0205
13272	PB511005	PLATE,IN		2	2	13272-0260
13272A	PB511006	PLATE,EX		2	2	13272-0261
16065	PB511007	HOLDER-CARBURETOR		2	2	16065-0051
49002	PB511011	GUIDE-VALVE	AR	AR	AR	49002-0009
92004	PB113950	STUD,8X22		4	4	92004-0025
92042	PB113948	PIN,DOWEL,6.3X8X14		6	6	92042-007
92043	PB113956	PIN,8.2X10X14		2	2	92043-1264
92066	PB511001	PLUG,PT1/2X12.5		3	3	92066-0002
92153	PB113957	BOLT,SOCKET,8X146		6	6	92153-1774
92153A	PB113958	BOLT,SOCKET,8X115		1	1	92153-1775
92154	PB113949	BOLT,6X45		12	12	92154-0246
92170	PB511012	CLAMP		2	2	92170-1722
92170A	PB511013	CLAMP		2		92170-1908
92173	PB114126	CLAMP,53MM			2	92173-0195
130	PB113946	BOLT-FLANGED,6X25		1	1	130BB0625
411	PB113955	WASHER-PLAIN		7	7	411AA0800

This catalog covers:

'10~'11 EX250 KAF/KBF Engine

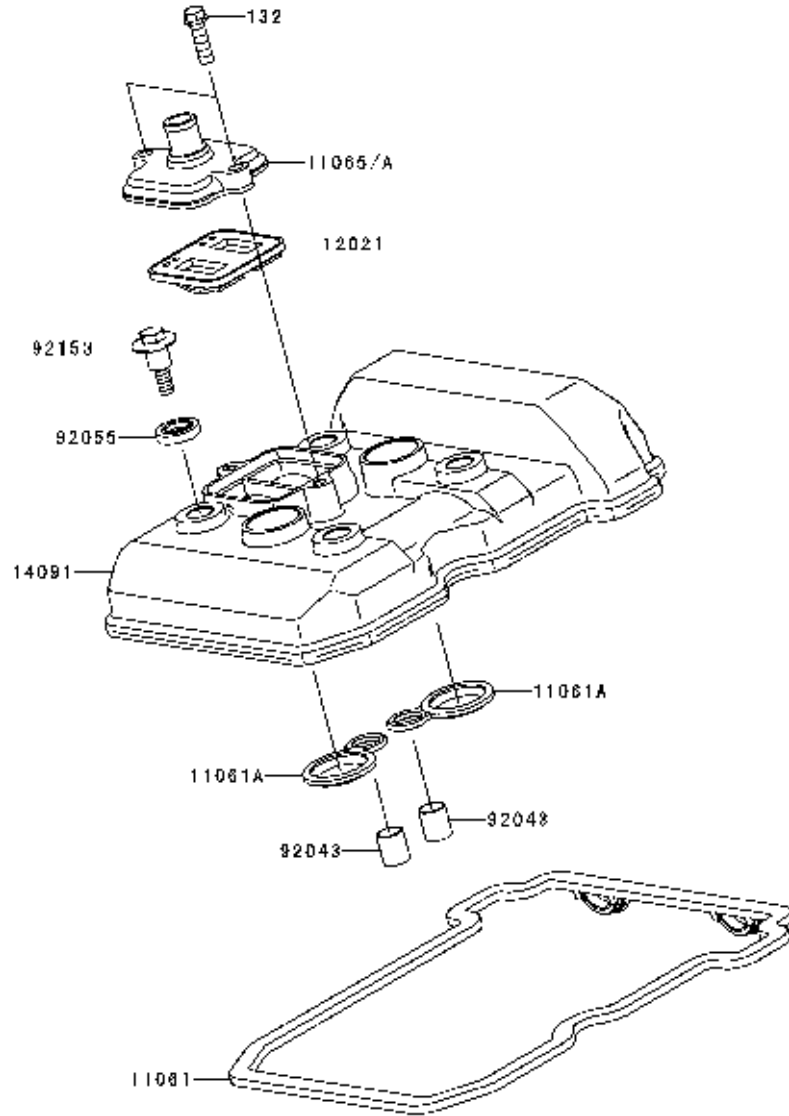
GRID NO.

B-4

This grid covers:

Cylinder Head Cover

E1112



Ref. No.	BAL Part No.	Description	Spec Code	Quantity		KHI Ref. No.
				'10	'11	
				KAF	KBF	
11061	PB511008	GASKET,CYLINDERHEADCOVER		1	1	11061-0282
11061A	PB511009	GASKET,PLUGHOLE		2	2	11061-0283
11065	PB511003	CAP		1		11065-0208
11065A	PB511021	CAP		1	1	11065-0349
12021	PB511004	VALVE-ASSY-REED		1	1	12021-1130
14091	PB511010	COVER,CYLINDERHEAD		1	1	14091-0724
92043	PB113952	PIN,10.1X12X14		2	2	92043-4009
92055	PB113953	RING-O,HEADCOVERBOLT		4	4	92055-0195
92153	PB113954	BOLT,HEADCOVER		4	4	92153-0793
132	PB113951	BOLT-FLANGED-SMALL,6X20		2	2	132BB0620

This catalog covers:

'10~'11 EX250 KAF/KBF Engine

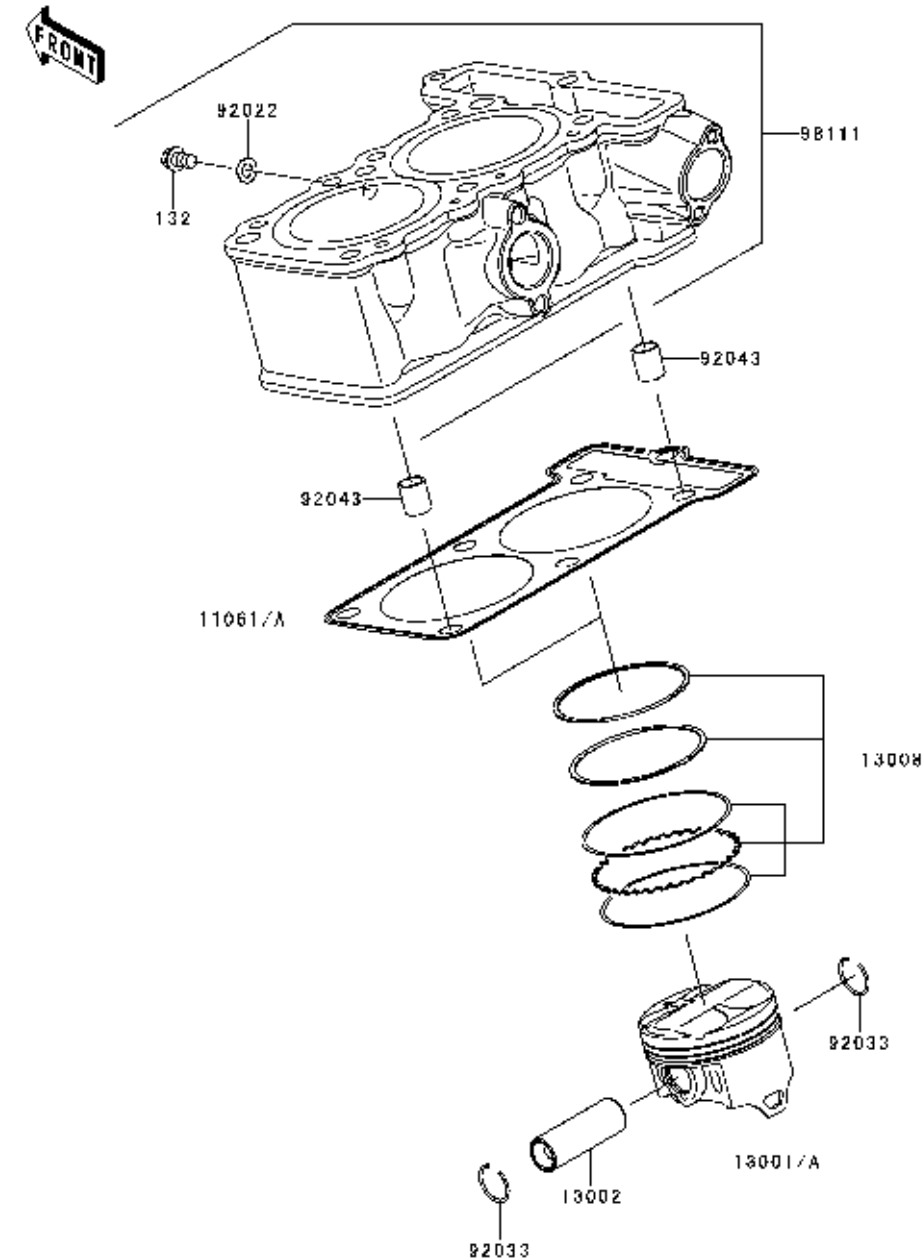
GRID NO.

B-5

This grid covers:

Cylinder/Piston(s)

E1120



Ref. No.	BAL Part No.	Description	Spec Code	Quantity		KHI Ref. No.
				'10	'11	
				KAF	KBF	
11061	PB521000	GASKET,CYLINDERBASE		1		11061-0288
11061A	PB511016	GASKET,CYLINDERBASE		1	1	11061-0433
13001	PB521200	PISTON-ENGINE		2		13001-0091
13001A	PB521203	PISTON-ENGINE		2	2	13001-0122
13002	PB521201	PIN-PISTON		2	2	13002-1097
13008	PB521202	RING-SET-PISTON		2	2	13008-0032
92022	PB113960	WASHER,6.2X11X1		1	1	92022-304
92033	PB113979	RING-SNAP,PISTONPIN		4	4	92033-1161
92043	PB113956	PIN,8.2X10X14		2	2	92043-1264
98111	PB521001	CYLINDER-COMP-ENGINE		1	1	98111-0012
132	PB113959	BOLT-FLANGED-SMALL,6X10		1	1	132BB0610

This catalog covers:

'10~'11 EX250 KAF/KBF Engine

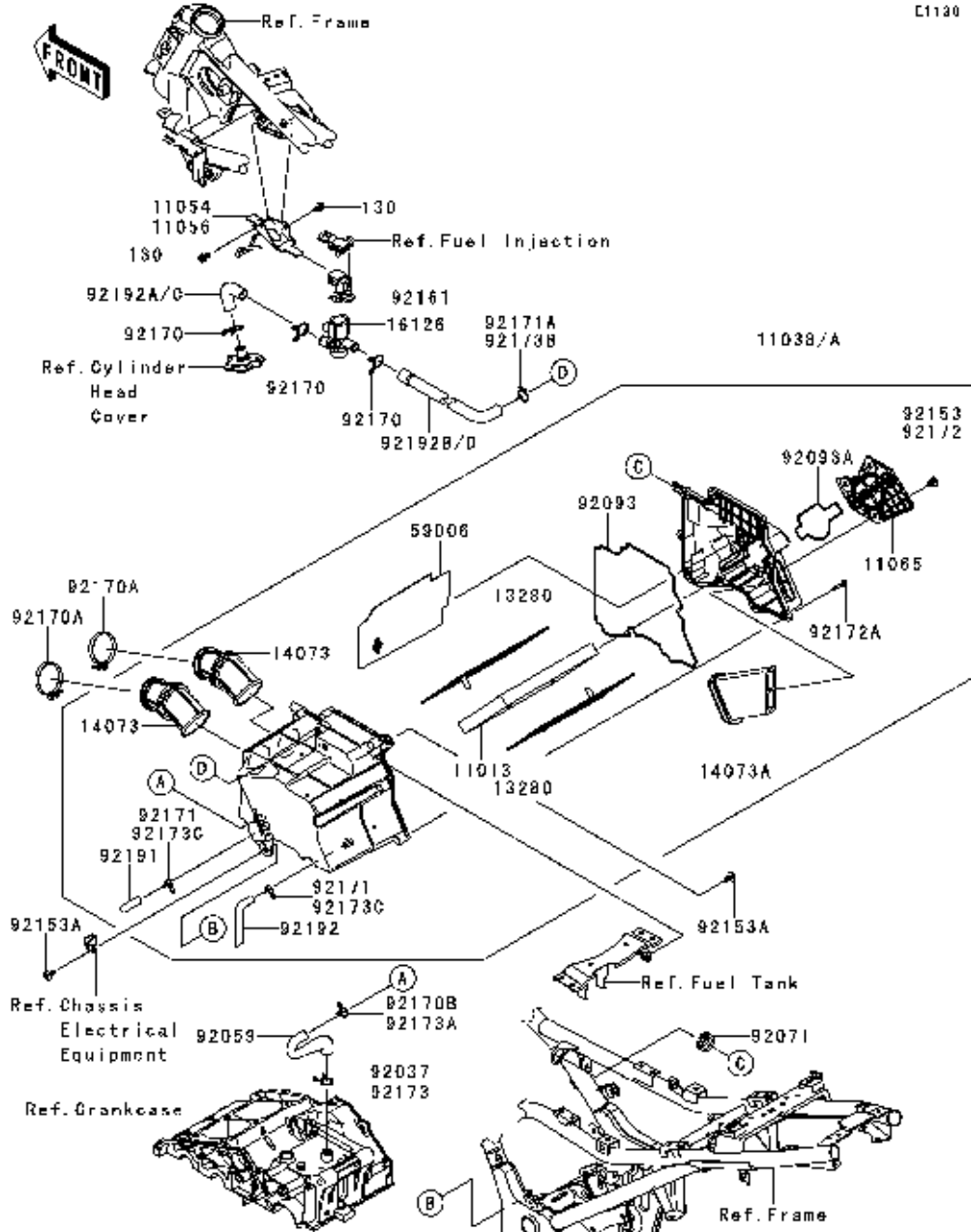
GRID NO.

B-6

This grid covers:

Air Cleaner

C1130



Ref. No.	BAL Part No.	Description	Spec Code	Quantity		KHI Ref. No.
				'10	'11	
				KAF	KBF	
11013	PB581001	ELEMENT-AIRFILTER		1	1	11013-0020
11038	PB581000	CASE-ASSY-AIRFILTER		1		11038-0019
11038A	PB581023	CASE-ASSY-AIRFILTER			1	11038-0031
11054	PB581012	BRACKET		1		11054-1961
11056	PB114127	BRACKET			1	11056-0125
11065	PB581002	CAP		1	1	11065-0185
13280	PB581003	HOLDER,ELEMENT		2	2	13280-0226
14073	PB581004	DUCT,CARBURETOR		2	2	14073-0179
14073A	PB581005	DUCT,INTAKE		1	1	14073-0196
16126	PB581013	VALVE,AIRCUT		1	1	16126-0039
59006	PB581006	ARRESTER-FLAME		1	1	59006-0014
92037	PB581019	CLAMP,TUBE		1		92037-213
92059	PB581020	TUBE,BREAHER		1	1	92059-1676
92071	PB113963	GROMMET		1	1	92071-1047
92093	PB581007	SEAL,CASE-AIRFILTER		1	1	92093-0078
92093A	PB581008	SEAL,CAP		1	1	92093-0144
92153	PB113961	BOLT,SOCKET,6X10		3		92153-1796
92153A	PB113964	BOLT,SOCKET,6X12		2	2	92153-1948
92161	PB581014	DAMPER,ACV		1	1	92161-0530
92170	PB581015	CLAMP		3	3	92170-1017
92170A	PB581021	CLAMP		2	2	92170-1438
92170B	PB581022	CLAMP		1		92170-1695
92171	PB581009	CLAMP,DRAIN		2		92171-1584
92171A	PB581016	CLAMP		1		92171-1913
92172	PB114128	SCREW,6X10			3	92172-0005
92172A	PB113962	SCREW,TAPPING,5X25		9	9	92172-0296
92173	PB581400	CLAMP,20MM		1		92173-0190
92173A	PB581401	CLAMP,14MM		1		92173-0192
92173B	PB581402	CLAMP,18MM		1		92173-0193
92173C	PB581403	CLAMP,11.6MM		2		92173-0198
92191	PB581010	TUBE,8X12X40		1	1	92191-1795
92192	PB581011	TUBE,8X12X120		1	1	92192-0446
92192A	PB581017	TUBE,ACV-HEAD		1		92192-0521
92192B	PB581018	TUBE,ACV-A/C		1		92192-0754
92192C	PB581404	TUBE,ACV-HEAD			1	92192-0902
92192D	PB581405	TUBE,ACV-A/C		1		92192-0903
130	PB113881	BOLT-FLANGED,6X12		2	2	130BB0612

This catalog covers:

'10~'11 EX250 KAF/KBF Engine

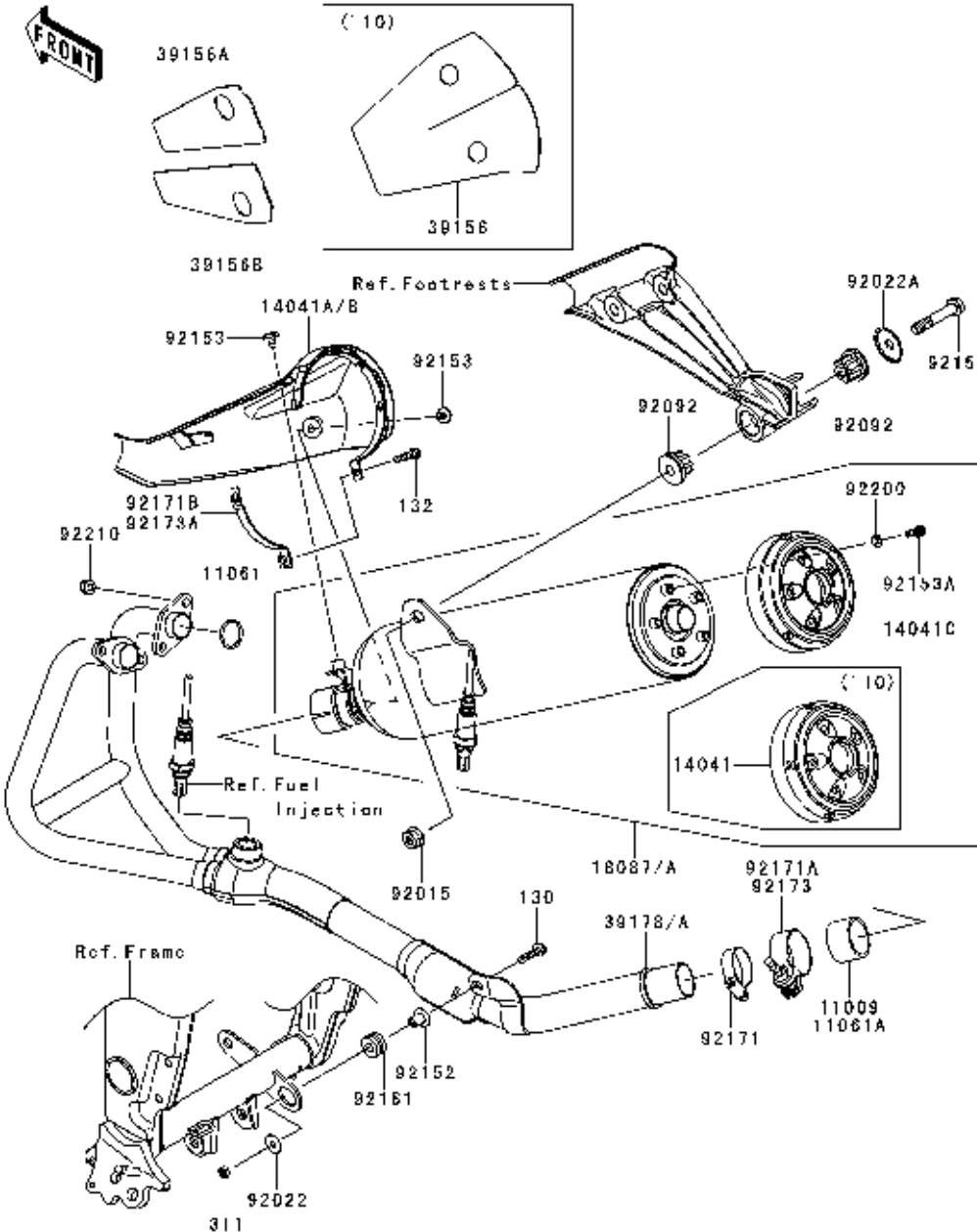
GRID NO.

B-7

This grid covers:

Mufer(s)

E1140



Ref. No.	BAL Part No.	Description	Spec Code	Quantity		KHI Ref. No.	
				'10	'11		
				KAF	KBF		
11009	PB591000	GASKET,EXHAUSTPIPECONNECTING		1		11009-1667	
11061	PB591001	GASKET,EXHAUSTPIPE		2	2	11061-0287	
11061A	PB591042	GASKET,EXHAUSTPIPECONNECTING		1		11061-0432	
14041	PB591003	COVER-COMP,RR		1		14041-0023	
14041A	PB591002	COVER-COMP,FRMUFLER		1		14041-0027	
14041B	PB591043	COVER-COMP,FRMUFLER		1		14041-0049	
14041C	PB591044	COVER-COMP		1		14041-0050	
18087	PB591040	MUFFLER		1		18087-0227	
18087A	PB591045	MUFFLER		1	1	18087-0232	
39156	PB591004	PAD,MUFFLERCOVER		1		39156-0458	
39156A	PB591046	PAD,UPP		1		39156-0666	
39156B	PB591047	PAD,LWR		1		39156-0667	
39178	PB591041	MANIFOLD-COMP-EXHAUST		1		39178-0154	
39178A	PB591048	MANIFOLD-COMP-EXHAUST		1		39178-0158	
92015	PB113969	NUT,FLANGED,10MM		1	1	92015-1387	
92022	PB113970	WASHER,6.5X20X1.6,BLACK		1	1	92022-1346	
92022A	PB113971	WASHER		1	1	92022-289	
92092	PB591005	BUSHING-RUBBER,MUFFLER		2	2	92092-1013	
92152	PB591006	COLLAR		1	1	92152-0667	
92153	PB113972	BOLT,SOCKET,6X10		2	2	92153-1800	
92153A	PB113966	BOLT		5	5	92153-1967	
92154	PB113973	BOLT,FLANGED,10X55		1	1	92154-0070	
92161	PB591007	DAMPER		1	1	92161-0723	
92171	PB591008	CLAMP		1	1	92171-0059	
92171A	PB591009	CLAMP,CHAMBER-EXPIPE		1		92171-0061	
92171B	PB591010	CLAMP		1		92171-1903	
92173	PB591049	CLAMP,42MM		1		92173-0196	
92173A	PB591050	CLAMP		1		92173-0200	
92200	PB113967	WASHER,6.5X11.5X0.8		5	5	92200-0554	
92210	PB113974	NUT,8MM		4	4	92210-1242	
130	PB113946	BOLT-FLANGED,6X25		1	1	130BB0625	
132	PB113965	BOLT-FLANGED-SMALL,6X25		1	1	132BA0625	
311	PB113968	NUT-HEX,6MM		1	1	311BB0600	

This catalog covers:

'10~'11 EX250 KAF/KBF Engine

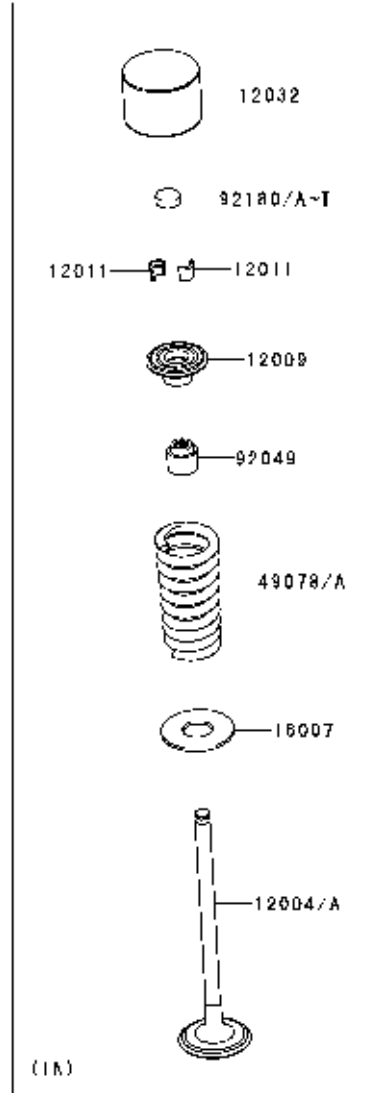
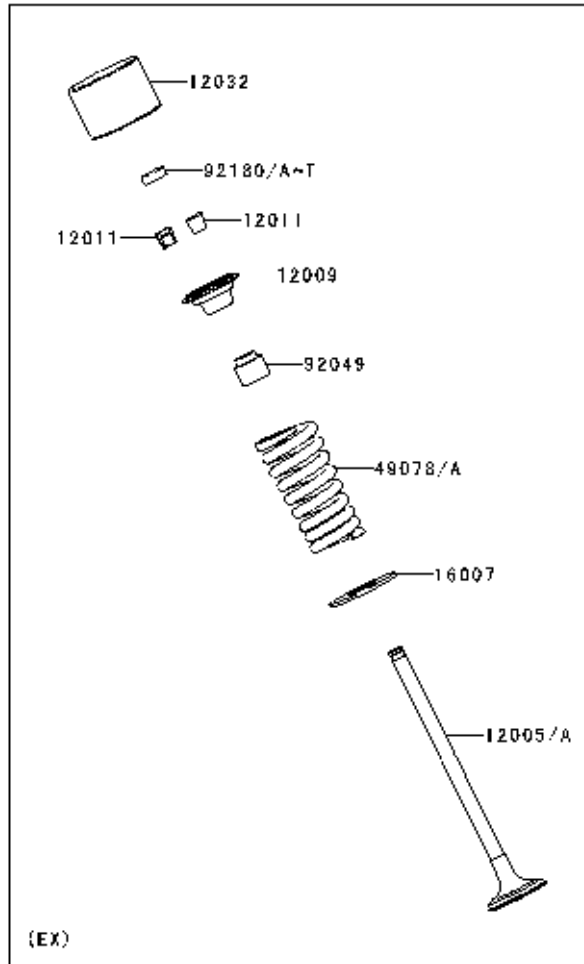
GRID NO.

B-8

This grid covers:

Valve(s)

E1210



Ref. No.	BAL Part No.	Description	Spec Code	Quantity		KHI Ref. No.
				'10	'11	
				KAF	KBF	
12004	PB591011	VALVE-INTAKE		4		12004-0025
12004A	PB511018	VALVE-INTAKE		4	4	12004-0042
12005	PB591012	VALVE-EXHAUST		4		12005-0045
12005A	PB511019	VALVE-EXHAUST		4	4	12005-0057
12009	PB591013	RETAINER-VALVESPRING		8	8	12009-1073
12011	PB591014	COLLET		16	16	12011-1053
12032	PB591015	TAPPET		8	8	12032-0008
16007	PB591016	SEAT-SPRING		8	8	16007-0028
49078	PB591017	SPRING-ENGINEVALVE		8		49078-0060
49078A	PB511020	SPRING-ENGINEVALVE			8	49078-0077
92049	PB591018	SEAL-OIL,VSB4.37.55.38.3		8	8	92049-1349
92180	PB591019	SHIM,T=2.50		8	8	92180-1014
92180A	PB591020	SHIM,T=2.55		AR	AR	92180-1016
92180B	PB591021	SHIM,T=2.60		AR	AR	92180-1018
92180C	PB591022	SHIM,T=2.65		AR	AR	92180-1020
92180D	PB591023	SHIM,T=2.70		AR	AR	92180-1022
92180E	PB591024	SHIM,T=2.75		AR	AR	92180-1024
92180F	PB591025	SHIM,T=2.80		AR	AR	92180-1026
92180G	PB591026	SHIM,T=2.85		AR	AR	92180-1028
92180H	PB591027	SHIM,T=2.90		AR	AR	92180-1030
92180I	PB591028	SHIM,T=2.95		AR	AR	92180-1032
92180J	PB591029	SHIM,T=3.00		AR	AR	92180-1034
92180K	PB591030	SHIM,T=3.05		AR	AR	92180-1036
92180L	PB591031	SHIM,T=3.10		AR	AR	92180-1038
92180M	PB591032	SHIM,T=3.15		AR	AR	92180-1040
92180N	PB591033	SHIM,T=3.20		AR	AR	92180-1042
92180O	PB591034	SHIM,T=3.25		AR	AR	92180-1044
92180P	PB591035	SHIM,T=3.30		AR	AR	92180-1046
92180Q	PB591036	SHIM,T=3.35		AR	AR	92180-1048
92180R	PB591037	SHIM,T=3.40		AR	AR	92180-1050
92180S	PB591038	SHIM,T=3.45		AR	AR	92180-1052
92180T	PB591039	SHIM,T=3.50		AR	AR	92180-1054

This catalog covers:

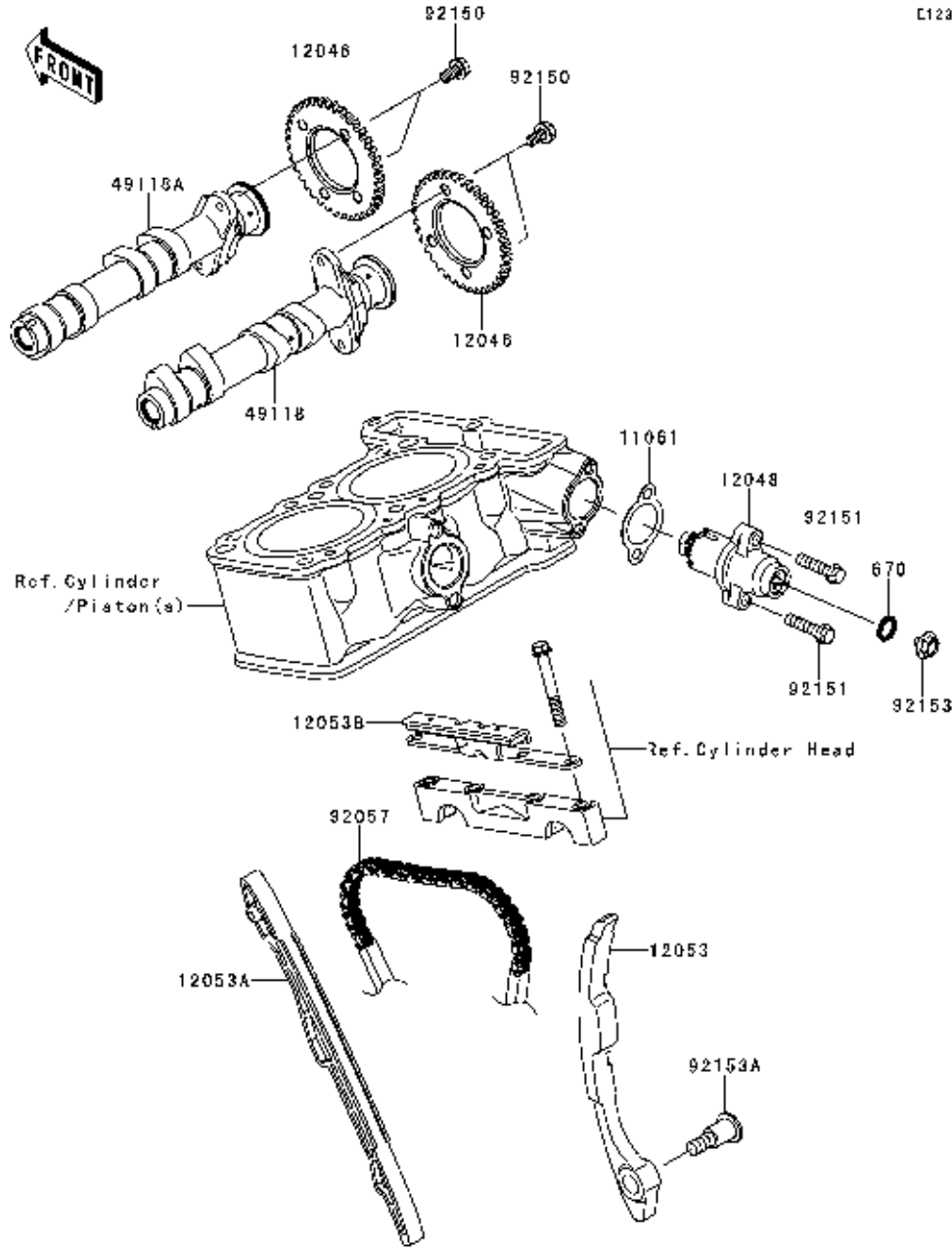
'10~'11 EX250 KAF/KBF Engine

GRID NO.

B-9

This grid covers:

Camshaft(s)/Tensioner



C1230

Ref. No.	BAL Part No.	Description	Spec Code	Quantity		KHI Ref. No.
				'10	'11	
				KAF	KBF	
11061	PB511200	GASKET		1	1	11061-0211
12046	PB511206	SPROCKET,38T		2	2	12046-0072
12048	PB511201	TENSIONER-ASSY		1	1	12048-0040
12053	PB511203	GUIDE-CHAIN,RR		1	1	12053-0101
12053A	PB511204	GUIDE-CHAIN,FR		1	1	12053-0102
12053B	PB511205	GUIDE-CHAIN,UPP		1	1	12053-0139
49118	PB511207	CAMSHAFT-COMP,INTAKE		1	1	49118-0098
49118A	PB511208	CAMSHAFT-COMP,EXHAUST		1	1	49118-0099
92057	PB511209	CHAIN,CAM.92RH2010-124M		1	1	92057-0156
92150	PB113978	BOLT,FLANGED,6X11		4	4	92150-1725
92151	PB113975	BOLT,FLANGED-SMALL,6X25		2	2	92151-1930
92153	PB113976	BOLT,FLANGED,6X6		1	1	92153-1763
92153A	PB113977	BOLT,SOCKET,8X29.2		1	1	92153-1808
670	PB511202	O RING		1	1	670D2010

This catalog covers:

'10~'11 EX250 KAF/KBF Engine

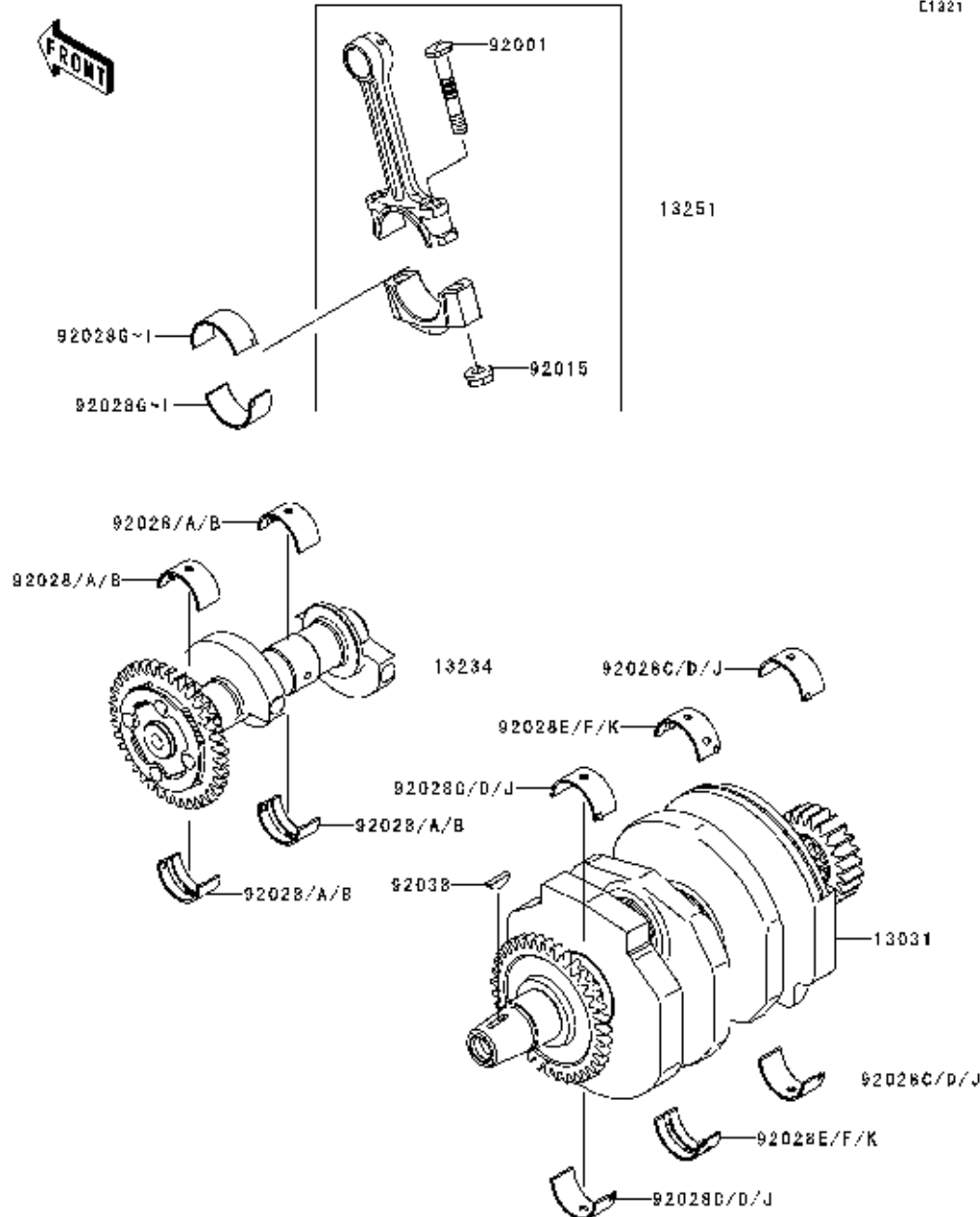
GRID NO.

B-10

This grid covers:

Crankshaft

E1321



Ref. No.	BAL Part No.	Description	Spec Code	Quantity		KHI Ref. No.
				'10	'11	
				KAF	KBF	
13031	PB531010	CRANKSHAFT-COMP,BMK,RED		1	1	13031-0120
13234	PB531200	SHAFT-COMP,BALANCER		1	1	13234-0044
13251	PB531000	ROD-ASSY-CONNECTING		AR	AR	13251-1103-HH
92001	PB113980	BOLT,CONNECTINGROD,7MM		4	4	92001-1793
92015	PB113981	NUT,CONNECTINGROD,7MM		4	4	92015-1527
92028	PB531201	BUSHING,BALANCER,BLUE		4	4	92028-1422
92028A	PB531202	BUSHING,BALANCER,BLACK		AR	AR	92028-1423
92028B	PB531203	BUSHING,BALANCER,BROWN		AR	AR	92028-1424
92028C	PB531001	BUSHING,CRANKSHAFT,BLUE		AR	AR	92028-1486
92028D	PB531002	BUSHING,CRANKSHAFT,BLACK		AR	AR	92028-1487
92028E	PB531003	BUSHING,CRANKSHAFT,BLUE		AR	AR	92028-1489
92028F	PB531004	BUSHING,CRANKSHAFT,BLACK		AR	AR	92028-1490
92028G	PB531005	BUSHING,CONNECTINGROD,BLUE		AR	AR	92028-1492
92028H	PB531006	BUSHING,CONNECTINGROD,BLACK		4	4	92028-1493
92028I	PB531007	BUSHING,CONNECTINGROD,BROWN		AR	AR	92028-1494
92028J	PB531008	BUSHING,CRANKSHAFT,YELLOW		4	4	92028-1582
92028K	PB531009	BUSHING,CRANKSHAFT,YELLOW		2	2	92028-1586
92038	PB113982	KEY,WOODRUFF		1	1	92038-001

This catalog covers:

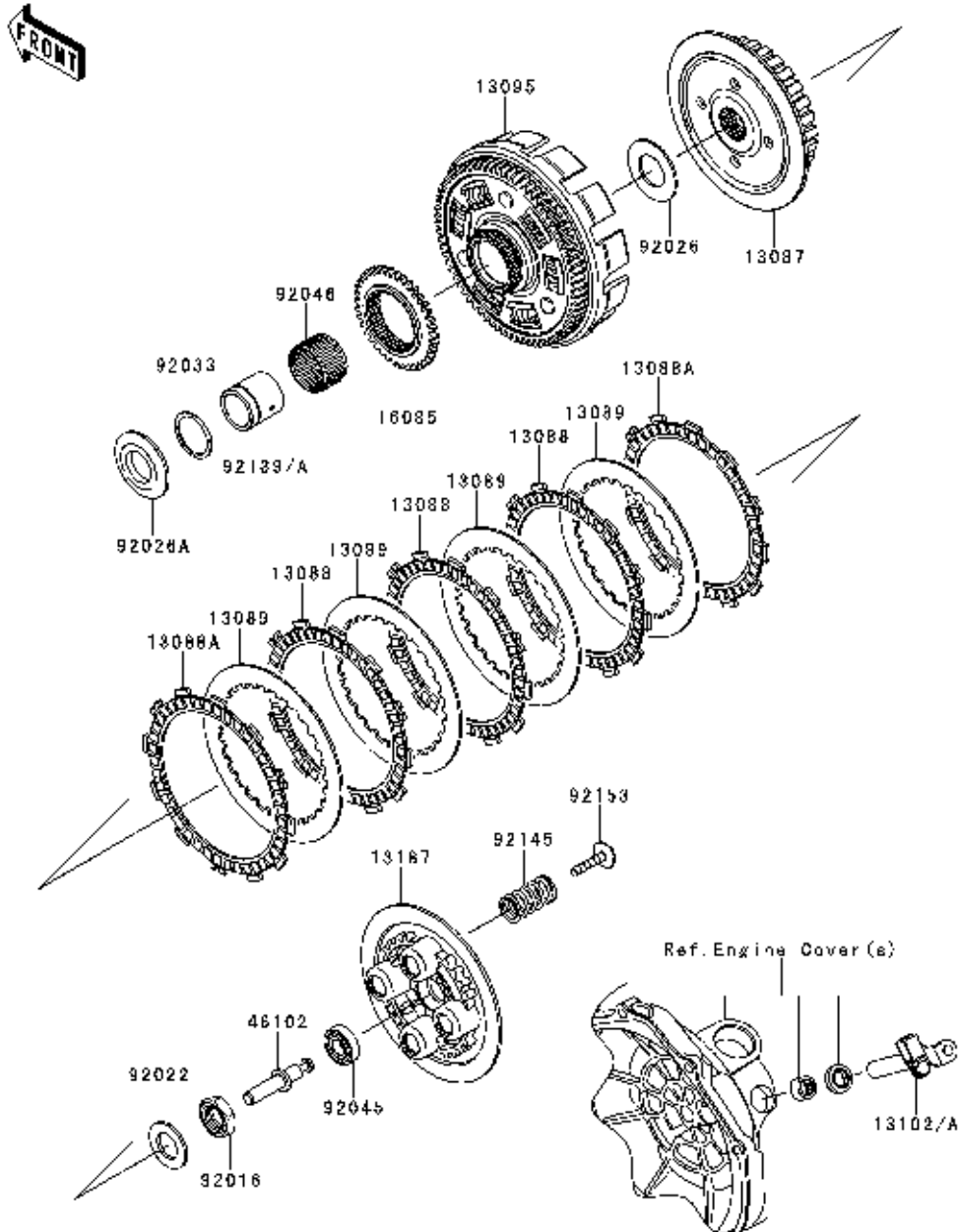
'10~'11 EX250 KAF/KBF Engine

GRID NO.

B-11

This grid covers:

Clutch



Ref. No.	BAL Part No.	Description	Spec Code	Quantity		KHI Ref. No.
				'10	'11	
				KAF	KBF	
13087	PB551400	HUB-CLUTCH		1	1	13087-0039
13088	PB551401	PLATE-FRICTION		3	3	13088-0038
13088A	PB551402	PLATE-FRICTION		2	2	13088-0039
13089	PB551403	PLATE-CLUTCH		4	4	13089-0021
13095	PB551410	HOUSING-COMP-CLUTCH,CMK,NONE		1	1	13095-0097
13102	PB551408	RELEASE-COMP-CLUTCH		1		13102-0036
13102A	PB551414	RELEASE-COMP-CLUTCH			1	13102-0040
13187	PB551404	PLATE-CLUTCHOPERATING		1	1	13187-0015
16085	PB551407	GEAR,OILPUMPDRIVE,38T		1	1	16085-0133
46102	PB551409	ROD		1	1	46102-0114
92016	PB113985	NUT,20MM		1	1	92016-028
92022	PB113986	WASHER,20.3X36X2.3		1	1	92022-1116
92026	PB551406	SPACER,25.5X48X2		1	1	92026-0114
92026A	PB551411	SPACER,25X52X5.5		1	1	92026-0115
92033	PB113987	RING-SNAP		1	1	92033-1212
92045	PB113984	BEARING-BALL		1	1	92045-0067
92046	PB113988	BEARING-NEEDLE,KTV323723		1	1	92046-028
92139	PB551412	BUSHING,25X32X32.1		1		92139-0091
92139A	PB551413	BUSHING,25X32X32.1			1	92139-0295
92145	PB551405	SPRING		4	4	92145-0531
92153	PB113983	BOLT,UPSET-WP,6X32		4	4	92153-1880

This catalog covers:

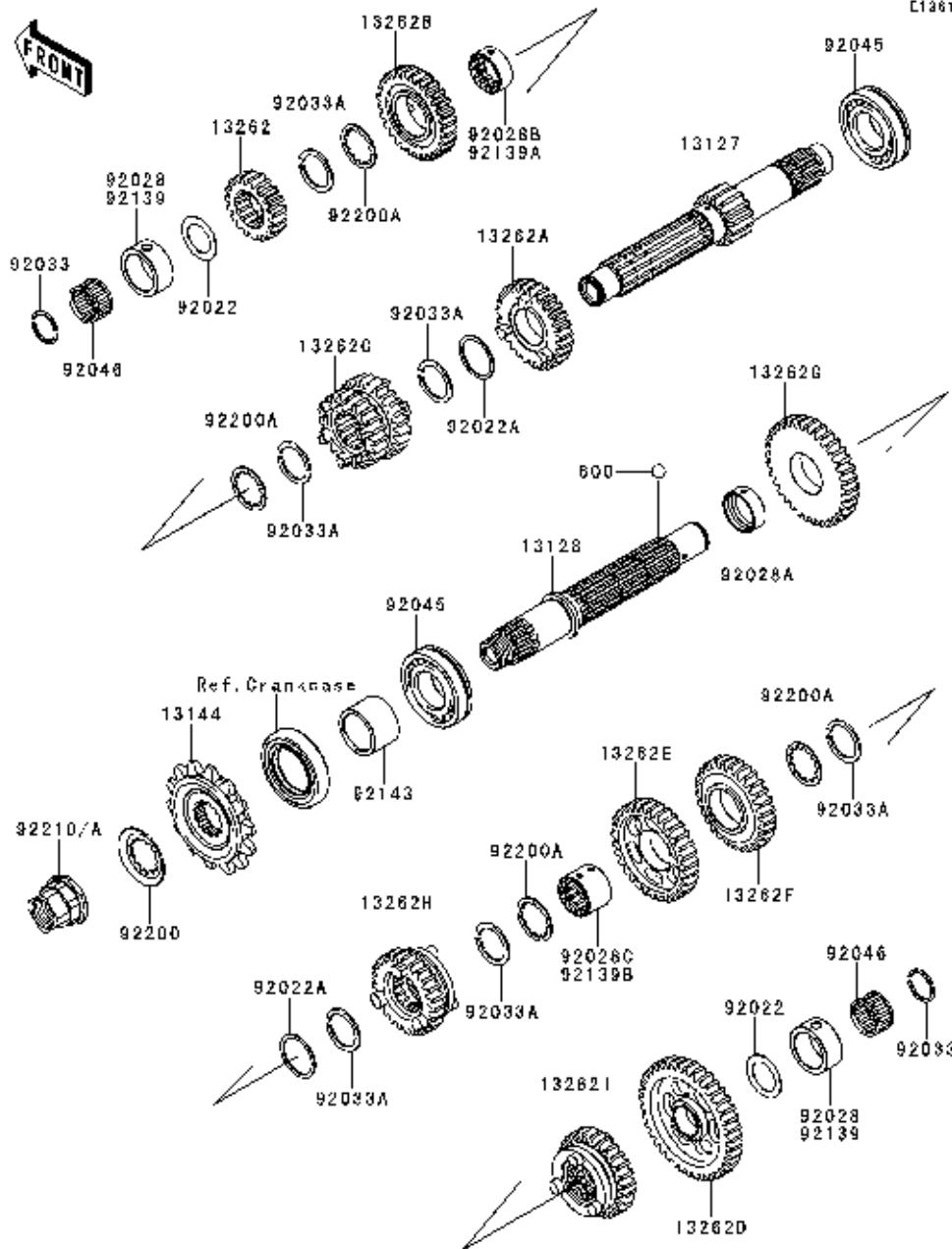
'10~'11 EX250 KAF/KBF Engine

GRID NO.

B-12

This grid covers:

Transmission



Ref. No.	BAL Part No.	Description	Spec Code	Quantity		KHI Ref. No.
				'10	'11	
				KAF	KBF	
13127	PB551000	SHAFT-TRANSMISSIONINPUT,15T		1	1	13127-0051
13128	PB551001	SHAFT-TRANSMISSIONOUTPUT		1	1	13128-0037
13144	PB551002	SPROCKET-OUTPUT,14T		1	1	13144-0054
13262	PB551200	GEAR,INPUT2ND,19T		1	1	13262-0461
13262A	PB551201	GEAR,INPUT5TH,27T		1	1	13262-0462
13262B	PB551202	GEAR,INPUTTOP,28T		1	1	13262-0463
13262C	PB551203	GEAR,INPUT3RD&4TH,22T&25T		1	1	13262-0464
13262D	PB551206	GEAR,OUTPUTLOW,39T		1	1	13262-0465
13262E	PB551207	GEAR,OUTPUT3RD,31T		1	1	13262-0466
13262F	PB551208	GEAR,OUTPUT4TH,29T		1	1	13262-0467
13262G	PB551209	GEAR,OUTPUT2ND,34T		1	1	13262-0468
13262H	PB551210	GEAR,OUTPUTTOP,25T		1	1	13262-0469
13262I	PB551211	GEAR,OUTPUT5TH,27T		1	1	13262-0470
92022	PB113998	WASHER,20.5X30X1,STEEL		2	2	92022-112
92022A	PB113999	WASHER,25.3X30X1		2	2	92022-161
92028	PB551204	BUSHING,25X33X14		2		92028-1426
92139	PB551003	BUSHING,25X33X14		2		92139-0293
92028A	PB551213	BUSHING,9.4X25X28		1	1	92028-1564
92028B	PB551205	BUSHING,INPUTTOPGEAR		1		92028-1857
92139A	PB551004	BUSHING,21.7X28X11		1		92139-0294
92028C	PB551214	BUSHING,OUTPUT3RD&4THGEAR		1		92028-1858
92139B	PB551005	BUSHING,21.7X28X20		1		92139-0297
92033	PB114000	RING-SNAP,20MM		2	2	92033-015
92033A	PB114001	RING-SNAP,24MM		6	6	92033-026
92045	PB114002	BEARING-BALL,#6205NX3		2	2	92045-1013
92046	PB114003	BEARING-NEEDLE,20R2513P		2	2	92046-044
92143	PB551215	COLLAR,SPROCKET		1	1	92143-1968
92200	PB114013	WASHER		1	1	92200-0506
92200A	PB114004	WASHER		4	4	92200-1389
92210	PB114014	NUT,M20,L=24MM		1		92210-0222
92210A	PB551006	NUT,M20		1		92210-0605
600	PB114005	BALL-STEEL,5/32"		3	3	600A0500

This catalog covers:

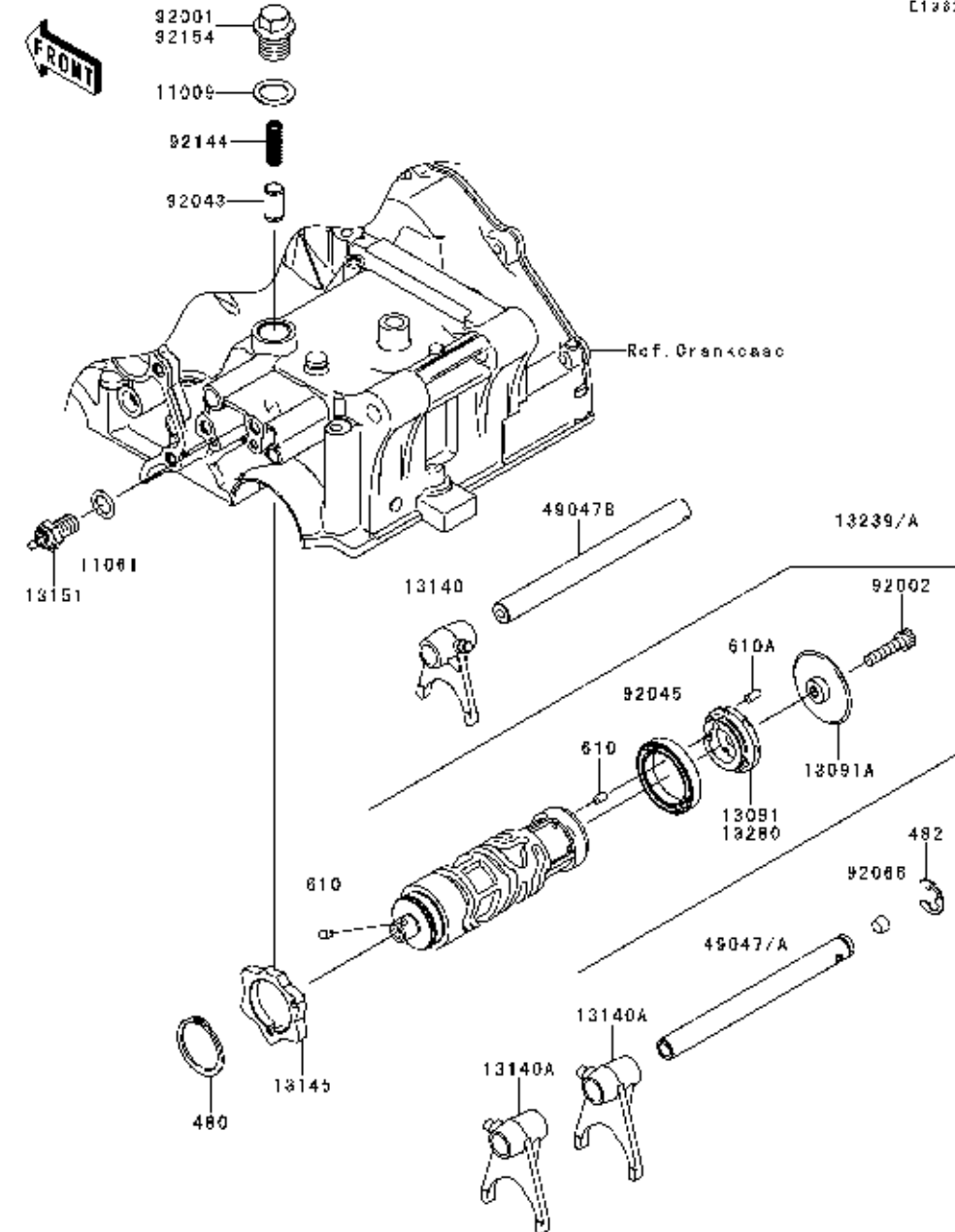
'10~'11 EX250 KAF/KBF Engine

GRID NO.

B-13

This grid covers:

Gear Change Drum/Shift Fork(s)



C1382

Ref. No.	BAL Part No.	Description	Spec Code	Quantity		KHI Ref. No.
				'10	'11	
				KAF	KBF	
11009	PB351400	GASKET,15.5X22X1		1	1	11009-1008
11061	PB351401	GASKET,10.5X16X1		1	1	11061-0373
13091	PB561002	HOLDER		1		13091-1417
13091A	PB561003	HOLDER,CHANGEDRUM		1	1	13091-1464
13140	PB561004	FORK-SHIFT,IN		1	1	13140-1148
13140A	PB561005	FORK-SHIFT,OUT		2	2	13140-1149
13145	PB561000	CAM-CHANGEDRUM		1	1	13145-1058
13151	PB351402	SWITCH-COMP,NEUTRAL		1	1	13151-1102
13239	PB561001	DRUM-ASSY-CHANGE		1		13239-0029
13239A	PB561009	DRUM-ASSY-CHANGE			1	13239-0036
13280	PB561206	HOLDER			1	13280-0368
49047	PB561006	ROD-SHIFT		1		49047-0035
49047A	PB561205	ROD-SHIFT			1	49047-0040
49047B	PB561007	ROD-SHIFT		1	1	49047-1095
92001	PB113989	BOLT,NEUTRALPOSITION		1		92001-1037
92154	PB561207	BOLT,NEUTRALPOSITION			1	92154-0355
92002	PB113993	BOLT,SOCKET,6X25		1	1	92002-1696
92043	PB113990	PIN		1	1	92043-076
92045	PB113994	BEARING-BALL,6806		1	1	92045-1152
92066	PB561008	PLUG		1	1	92066-1246
92144	PB351403	SPRING,NEUTRALPOSITION		1	1	92144-1580
480	PB113995	CIRCLIP-TYPE-C,30MM		1	1	480J3000
482	PB113997	CIRCLIP-TYPE-E,10MM		1	1	482J0100
610	PB113991	ROLLER,4X6		2	2	610A0406
610A	PB113992	ROLLER,4X8		6	6	610A0408

This catalog covers:

'10~'11 EX250 KAF/KBF Engine

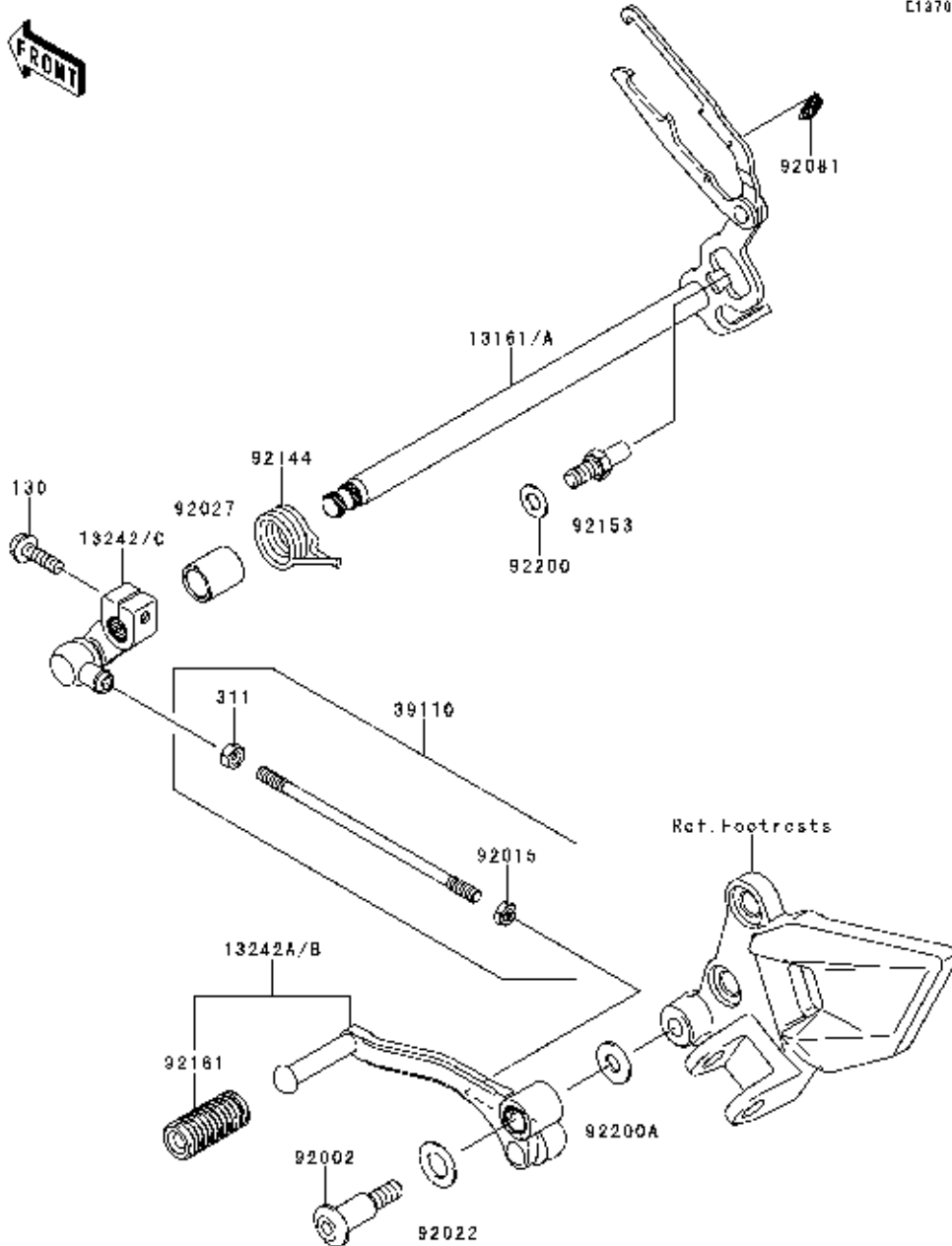
GRID NO.

B-14

This grid covers:

Gear Change Mechanism

E1370



Ref. No.	BAL Part No.	Description	Spec Code	Quantity		KHI Ref. No.
				'10	'11	
				KAF	KBF	
13161	PB561400	LEVER-COMP-CHANGESHAFT		1		13161-0070
13161A	PB561208	LEVER-COMP-CHANGESHAFT		1	1	13161-0076
13242	PB561200	LEVER-ASSY-CHANGE		1		13242-0044
13242A	PB561201	LEVER-ASSY-CHANGE,PEDAL		1		13242-0050
13242B	PB561404	LEVER-ASSY-CHANGE,PEDAL		1		13242-0065
13242C	PB561405	LEVER-ASSY-CHANGE		1		13242-0071
39110	PB561203	ROD-ASSY-TIE		1	1	39110-1075
92002	PB114017	BOLT,CHANGE PEDAL		1	1	92002-1926
92015	PB114016	NUT,LEFTHANDED,6MM		1	1	92015-1178
92022	PB114018	WASHER,12.5X22X1.2		1	1	92022-072
92027	PB561401	COLLAR,13X18.3X21.5		1	1	92027-1440
92081	PB561402	SPRING,CHANGE LEVER		1	1	92081-076
92144	PB561403	SPRING,CHANGE PEDAL RETURN		1	1	92144-1074
92153	PB114020	BOLT,8X15.5		1	1	92153-1986
92161	PB561202	DAMPER,CHANGE PEDAL		1	1	92161-1300
92200	PB114021	WASHER,8.2X16X1		1	1	92200-0434
92200A	PB114019	WASHER,8.5X20X1.6		1	1	92200-0490
130	PB114015	BOLT-FLANGED,6X20		1	1	130CB0620
311	PB113968	NUT-HEX,6MM		1	1	311BB0600

This catalog covers:

'10~'11 EX250 KAF/KBF Engine

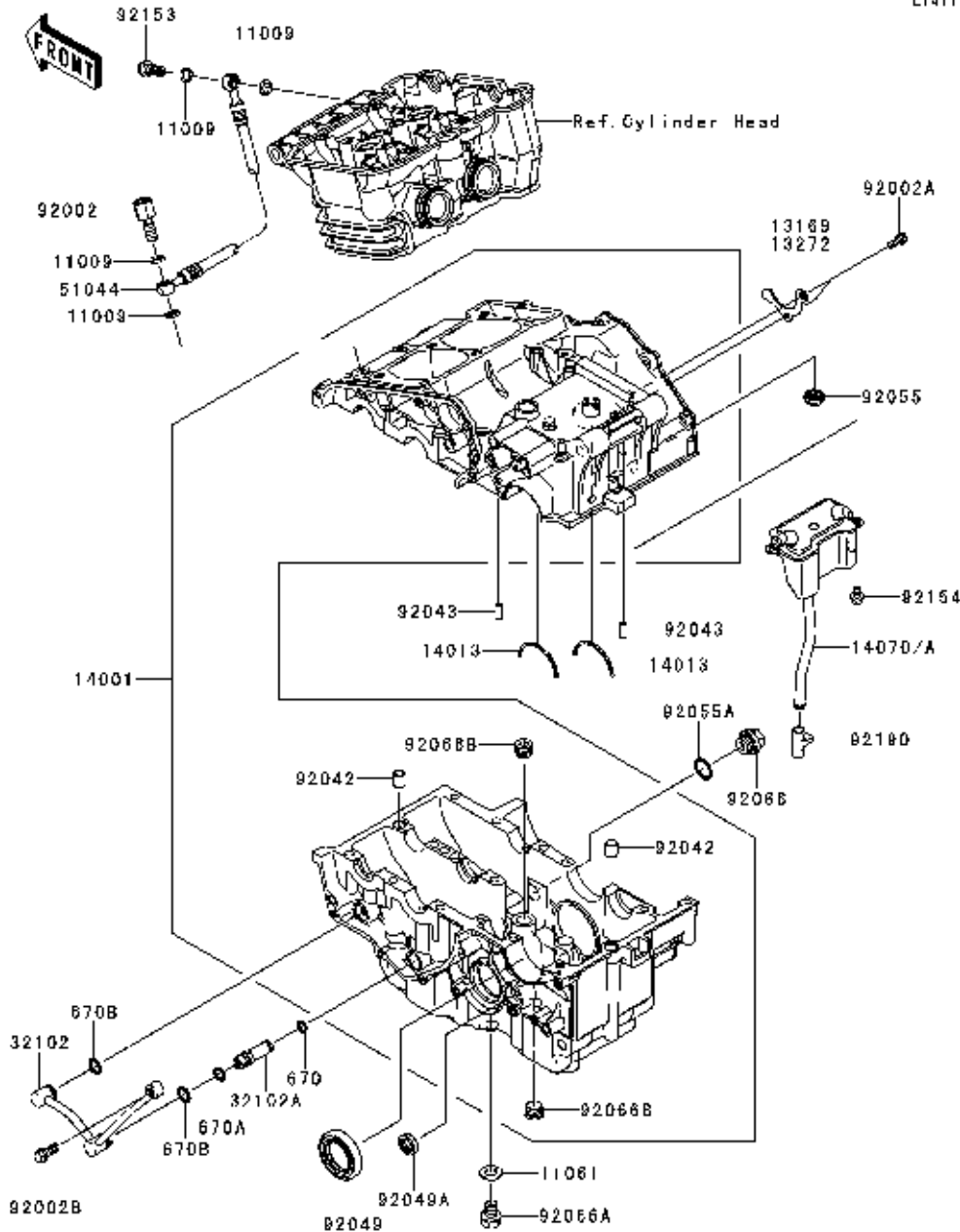
GRID NO.

C-3

This grid covers:

Crankcase

E1411



Ref. No.	BAL Part No.	Description	Spec Code	Quantity		KHI Ref. No.
				'10	'11	
				KAF	KBF	
11009	PB541000	GASKET,10X14.5X1.5		4	4	11009-1105
11061	PB541001	GASKET,12X22X2		1	1	11061-0417
13169	PB541002	PLATE		1		13169-1659
13272	PB561209	PLATE		1	1	13272-0862
14001	PB541003	SET-CRANKCASE		1	1	14001-0147
14013	PB541005	RING-POSITION		2	2	14013-004
14070A	PB541006	BODY-BREATHER		1		14070-1081
14070	PB541018	BODY-BREATHER		1		14070-0006
32102	PB541007	PIPE		1	1	32102-1017
32102A	PB541008	PIPE		1	1	32102-1018
51044	PB541016	TUBE-ASSY,CRANKCASE-HEAD		1	1	51044-0050
92002	PB114036	BOLT,OILSWITCH		1	1	92002-1427
92002A	PB114031	BOLT,SOCKET,6X14		2	2	92002-1592
92002B	PB114032	BOLT,BANJO,8X20		1	1	92002-1705
92042	PB114024	PIN,DOWEL,12X14		2	2	92042-031
92043	PB114033	PIN,3.5X6X16		2	2	92043-1309
92049	PB541012	SEAL-OIL,HTC325210		1	1	92049-1506
92049A	PB541013	SEAL-OIL		1	1	92049-1559
92055	PB114034	RING-O		1	1	92055-0127
92055A	PB114035	RING-O,20X2		1	1	92055-1146
92066	PB541014	PLUG,MAINGALLERY,18X9,BLACK		1	1	92066-1096
92066A	PB541017	PLUG,OILDRAIN,12X15		1	1	92066-1174
92066B	PB541004	PLUG,PT3/8X12		2	2	92066-1252
92153	PB114037	BOLT,OIL,L=23		1	1	92153-0627
92154	PB114030	BOLT,FLANGED,6X10		2	2	92154-0356
92190	PB541015	TUBE		1	1	92190-1489
670	PB541009	ORING,9MM		1	1	670D1509
670A	PB511202	ORING		1	1	670D2010
670B	PB541011	ORING,12MM		2	2	670D2012

This catalog covers:

'10~'11 EX250 KAF/KBF Engine

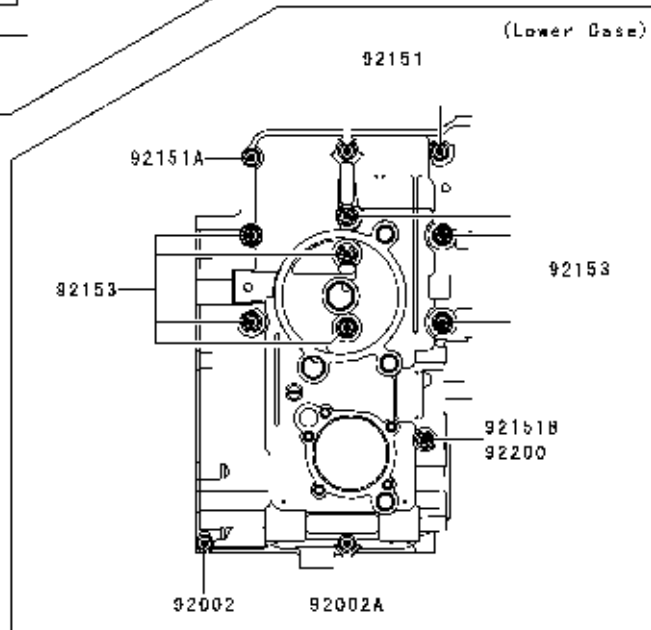
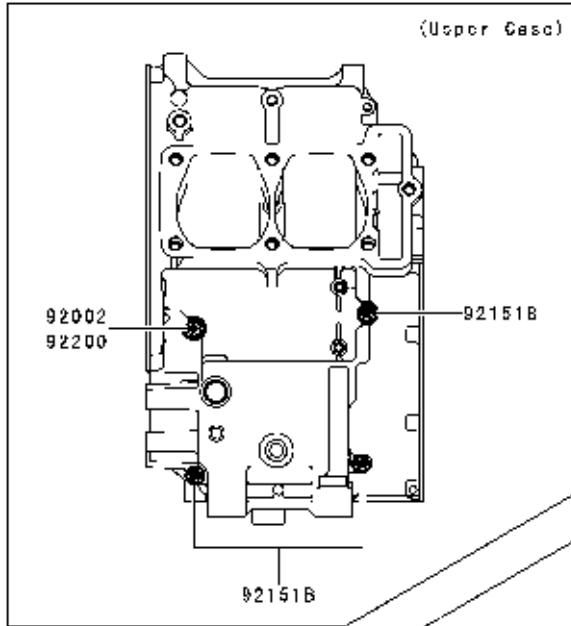
GRID NO.

C-4

This grid covers:

Crankcase Bolt Pattern

E1412



Ref. No.	BAL Part No.	Description	Spec Code	Quantity		KHI Ref. No.
				'10	'11	
				KAF	KBF	
92002	PB114022	BOLT,FLANGED,6X60		2	2	92002-1584
92002A	PB114023	BOLT,6X135		1	1	92002-1687
92151	PB114025	BOLT,8X73		2	2	92151-1462
92151A	PB114026	BOLT,6X38		1	1	92151-1904
92151B	PB114027	BOLT,6X85		4	4	92151-1953
92153	PB114028	BOLT,FLANGED,8X90		7	7	92153-1632
92200	PB114029	WASHER,6.3X13.5X1.0		2	2	92200-0171

This catalog covers:

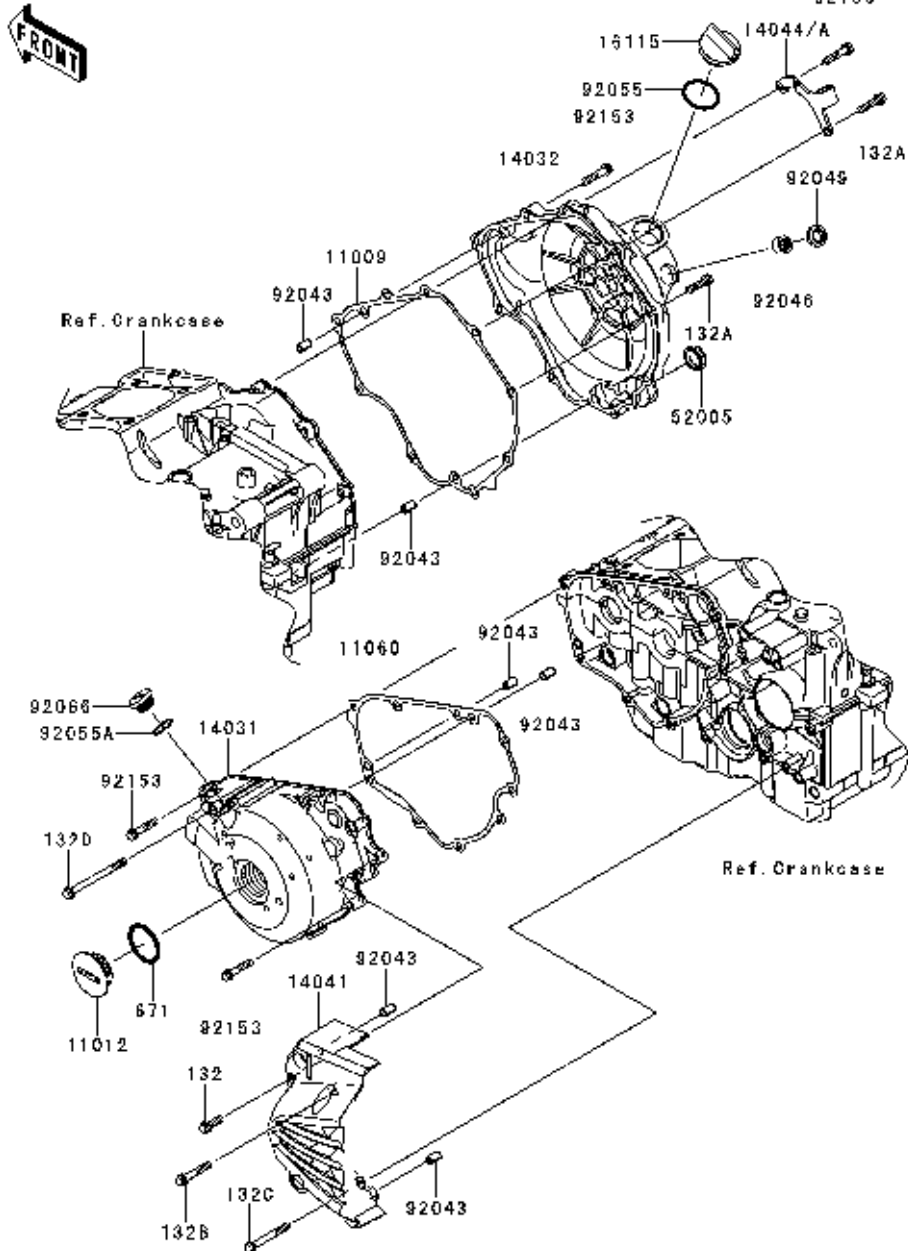
'10~'11 EX250 KAF/KBF Engine

GRID NO.

C-5

This grid covers:

Engine Cover(s)



Ref. No.	BAL Part No.	Description	Spec Code	Quantity		KHI Ref. No.
				'10	'11	
				KAF	KBF	
11009	PB541200	GASKET,CLUTCHCOVER		1	1	11009-1872
11012	PB541206	CAP		1	1	11012-1362
11060	PB541207	GASKET,GENERATORCOVER		1	1	11060-1920
14031	PB541208	COVER-GENERATOR		1	1	14031-0080
14032	PB541201	COVER-CLUTCH		1	1	14032-0095
14041	PB541211	COVER-COMP,CHAIN		1	1	14041-0021
14044	PB541202	HOLDER-CABLE		1		14044-0037
14044A	PB551415	HOLDER-CABLE			1	14044-0045
16115	PB541203	CAP-OILFILLER		1	1	16115-1068
52005	PB541204	GAUGE,OILLEVEL		1	1	52005-1009
92043	PB114039	PIN,6.2X8X14		6	6	92043-1263
92046	PB114040	BEARING-NEEDLE,HK1210		1	1	92046-1010
92049	PB541205	SEAL-OIL		1	1	92049-1560
92055	PB114041	RING-O,31.5X2.6		1	1	92055-049
92055A	PB114035	RING-O,20X2		1	1	92055-1146
92066	PB541210	PLUG,COVER		1	1	92066-1163
92153	PB114042	BOLT,6X30		15	15	92153-0832
132	PB113951	BOLT-FLANGED-SMALL,6X20		1	1	132BB0620
132A	PB114038	BOLT-FLANGED-SMALL,6X25		2	2	132BB0625
132B	PB114047	BOLT-FLANGED-SMALL,6X35		1	1	132BB0635
132C	PB114048	BOLT-FLANGED-SMALL,6X50		1	1	132BB0650
132D	PB114043	BOLT-FLANGED-SMALL,6X75		1	1	132BB0675
671	PB541209	ORING,40MM		1	1	671B2540

This catalog covers:

'10~'11 EX250 KAF/KBF Engine

GRID NO.

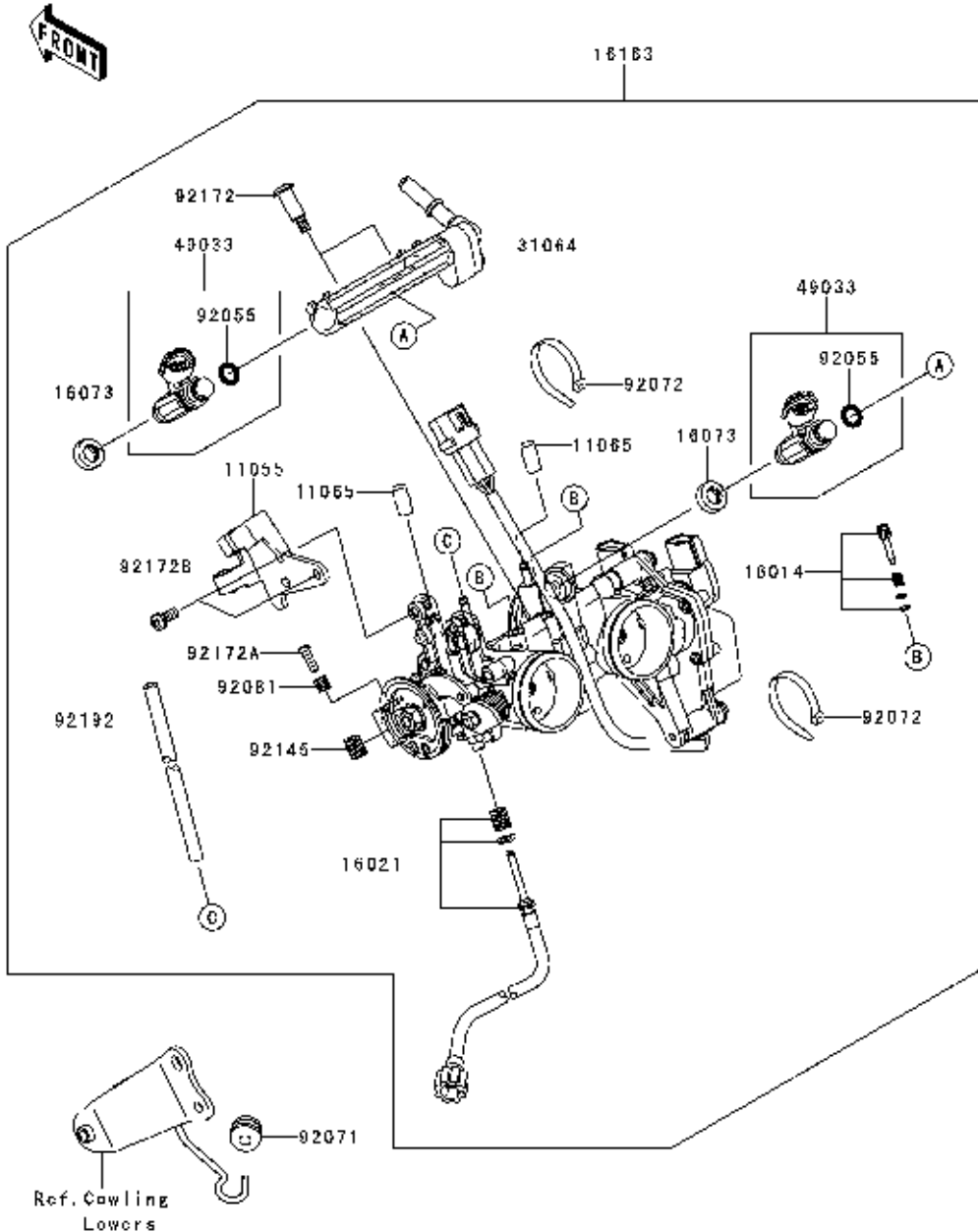
C-6

This grid covers:

Throttle

C1510

Ref. No.	BAL Part No.	Description	Spec Code	Quantity		KHI Ref. No.
				'10	'11	
				KAF	KBF	
11055	PB114102	BRACKET		1	1	11055-1303
11065	PB114103	CAP		2	2	11065-0018
16014	PB114104	SCREW-PILOTAIR		2	2	16014-0002
16021	PB114050	SCREW-THROTTLESTOP		1	1	16021-0021
16073	PB611201	INSULATOR		2	2	16073-3707
16163	PB611200	THROTTLE-ASSY,TTK28		1	1	16163-0113
31064	PB611202	PIPE-COMP,FUEL		1	1	31064-0164
49033	PB611203	NOZZLE-INJECTION		2	2	49033-0013
92055	PB114051	RING-O,INJECTIONNOZZLE		2	2	92055-1622
92071	PB114052	GROMMET		1	1	92071-0038
92072	PB402217	BAND,SUB-HARNESS		2	2	92072-0012
92081	PB114113	SPRING		1	1	92081-1620
92145	PB114117	SPRING		1	1	92145-0656
92172	PB114118	SCREW,PIPEINJECTION		2	2	92172-0064
92172A	PB114119	SCREW		1	1	92172-0129
92172B	PB114120	SCREW		2	2	92172-0393
92192	PB114121	TUBE,3X7X170		1	1	92192-0019



This catalog covers:

'10~'11 EX250 KAF/KBF Engine

GRID NO.

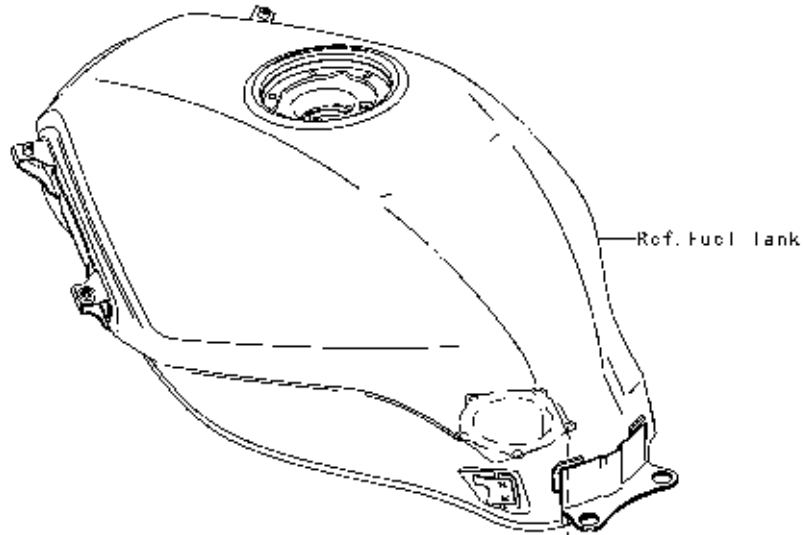
C-7

This grid covers:

Fuel Pump

C1520

Ref. No.	BAL Part No.	Description	Spec Code	Quantity		KHI Ref. No.
				'10	'11	
				KAF	KBF	
49040	PB571000	PUMP-FUEL		1	1	49040-0029
51044	PB571018	TUBE-ASSY,FUEL		1	1	51044-0045
92055	PB114053	RING-O,64.6X5.7		1	1	92055-0185
92153	PB114054	BOLT,FLANGED,6X12		5	5	92153-1283



This catalog covers:

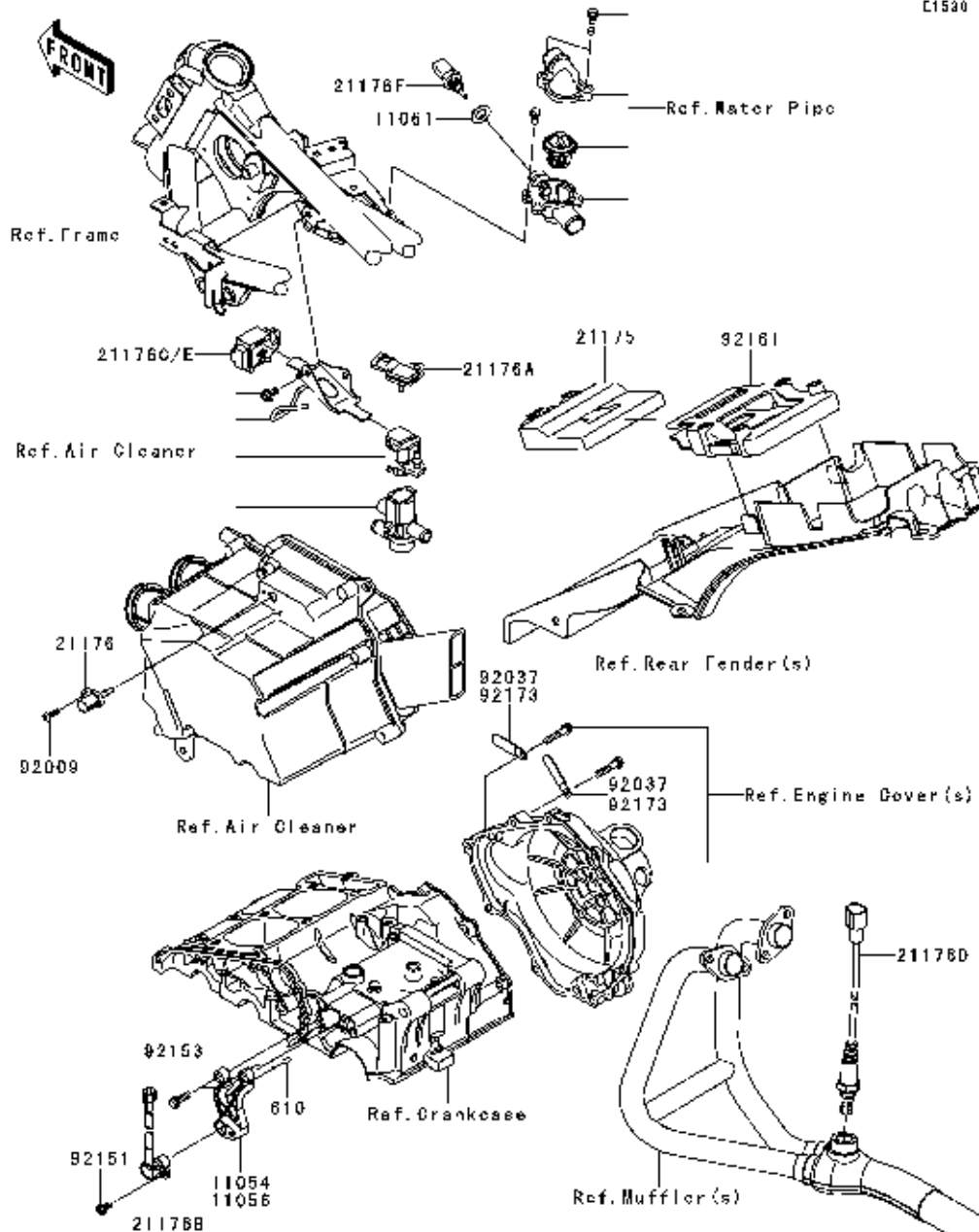
'10~'11 EX250 KAF/KBF Engine

GRID NO.

C-8

This grid covers:

Fuel Injection



C1530

Ref. No.	BAL Part No.	Description	Spec Code	Quantity		KHI Ref. No.
				'10	'11	
				KAF	KBF	
11054	PB351412	BRACKET		1		11054-1932
11056	PB114129	BRACKET		1	1	11056-0123
11061	PB541001	GASKET,12X22X2		1	1	11061-0417
21175	PB351405	CONTROLUNIT-ELECTRONIC		1	1	21175-0199
21176	PB351406	SENSOR,AIRTEMPERATURE		1	1	21176-0048
21176A	PB351407	SENSOR,PRESSURE		1	1	21176-0058
21176B	PB351408	SENSOR,SPEED		1	1	21176-0065
21176C	PB351409	SENSOR,VEHICLE-DOWN		1		21176-0066
21176D	PB351410	SENSOR,OXYGEN		1	1	21176-0136
21176E	PB403400	SENSOR,VEHICLE-DOWN		1		21176-0143
21176F	PB351411	SENSOR,WATERTEMP		1	1	21176-1120
92009	PB114058	SCREW,TAPPING,5X16		1	1	92009-1984
92037	PB351413	CLAMP,L=45		2		92037-1539
92151	PB114056	BOLT,FLANGED,5X12		1	1	92151-1305
92153	PB114057	BOLT,FLANGED-SMALL,6X20		2	2	92153-1114
92161	PB351414	DAMPER,ECU		1	1	92161-0531
92173	PB114130	CLAMP,L=45		2		92173-0194
610	PB113992	ROLLER,4X8		2	2	610A0408

This catalog covers:

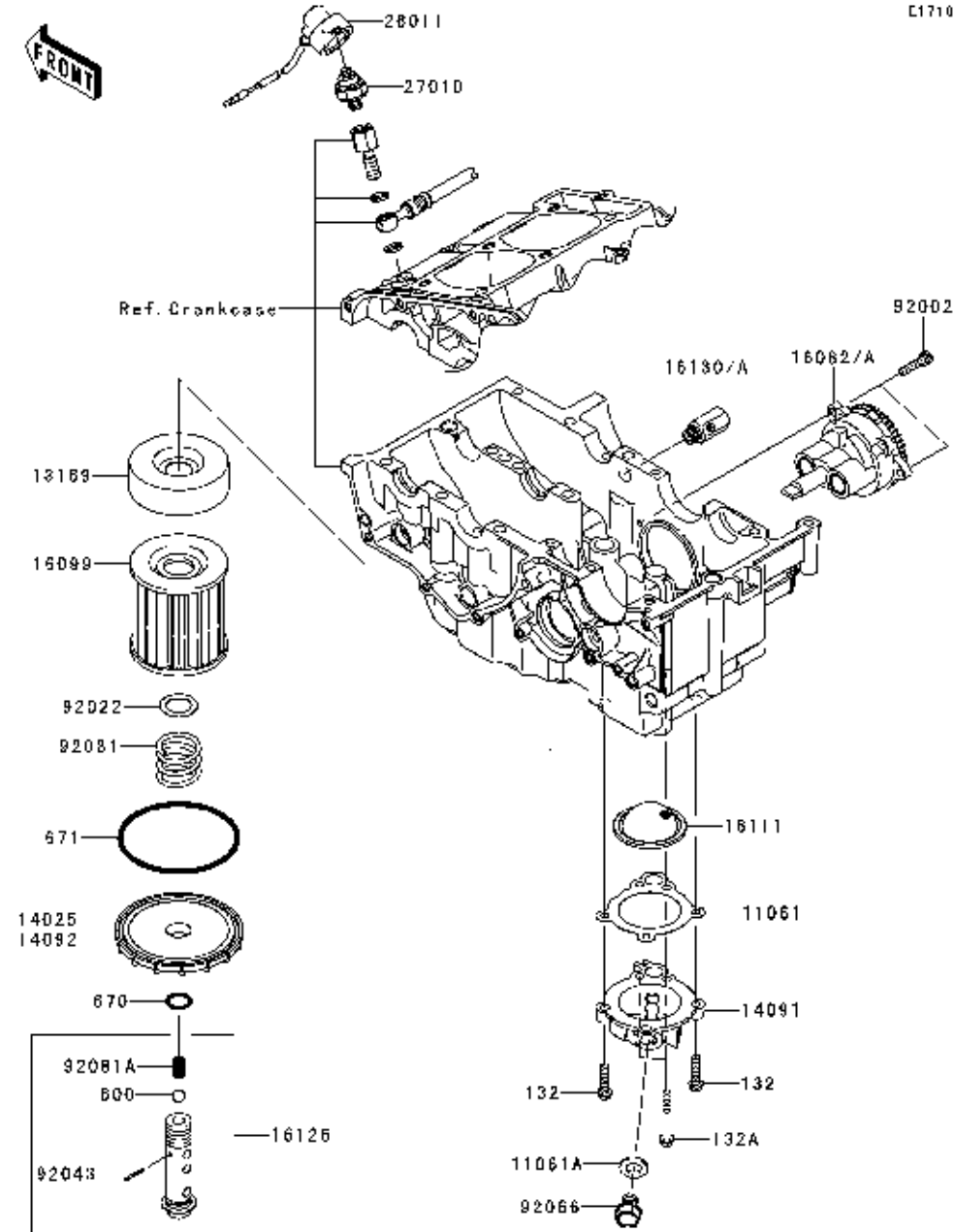
'10~'11 EX250 KAF/KBF Engine

GRID NO.

C-9

This grid covers:

Oil Pump



Ref. No.	BAL Part No.	Description	Spec Code	Quantity		KHI Ref. No.
				'10	'11	
				KAF	KBF	
11061	PB571002	GASKET,1STFILTERCOVER		1	1	11061-0341
11061A	PB541001	GASKET,12X22X2		1	1	11061-0417
13169	PB571004	PLATE,OILFILTER		1	1	13169-1313
14025	PB571005	COVER,OILFILTER,F.BLACK		1		14025-1422
14091	PB571006	COVER,1STFILTER		1	1	14091-1575
14092	PB541216	COVER,OILFILTER			1	14092-0132
16082A	PB571001	PUMP-ASSY-OIL		1		16082-1078
16082	PB571020	PUMP-ASSY-OIL			1	16082-0055
16099	PB571007	ELEMENT-OILFILTER		1	1	16099-003
16111	PB571008	FILTER,OIL		1	1	16111-003
16126	PB571009	VALVE,OILFILTER		1	1	16126-1108
16130	PB571011	VALVE-ASSY-RELIEF		1		16130-1001
16130A	PB541019	VALVE-ASSY-RELIEF			1	16130-1063
26011	PB571012	WIRE-LEAD,OILPRESSURESW		1	1	26011-0200
27010	PB571013	SWITCH,OILPRESSURE		1	1	27010-1360
92002	PB113993	BOLT,SOCKET,6X25		2	2	92002-1696
92022	PB114064	WASHER,20.5X30X1		1	1	92022-1012
92043	PB114063	PIN,SPRING,2X20		1	1	92043-111
92066	PB541017	PLUG,OILDRAIN,12X15		1	1	92066-1174
92081	PB571017	SPRING,OILFILTER		1	1	92081-1018
92081A	PB571010	SPRING		1	1	92081-109
132	PB114038	BOLT-FLANGED-SMALL,6X25		3	3	132BB0625
132A	PB114061	BOLT-FLANGED-SMALL,6X45		2	2	132BB0645
600	PB114062	BALL-STEEL,3/8"		1	1	600A1200
670	PB571014	ORING,16MM		1	1	670B2016
671	PB571015	ORING,90MM		1	1	671B2590

This catalog covers:

'10~'11 EX250 KAF/KBF Engine

GRID NO.

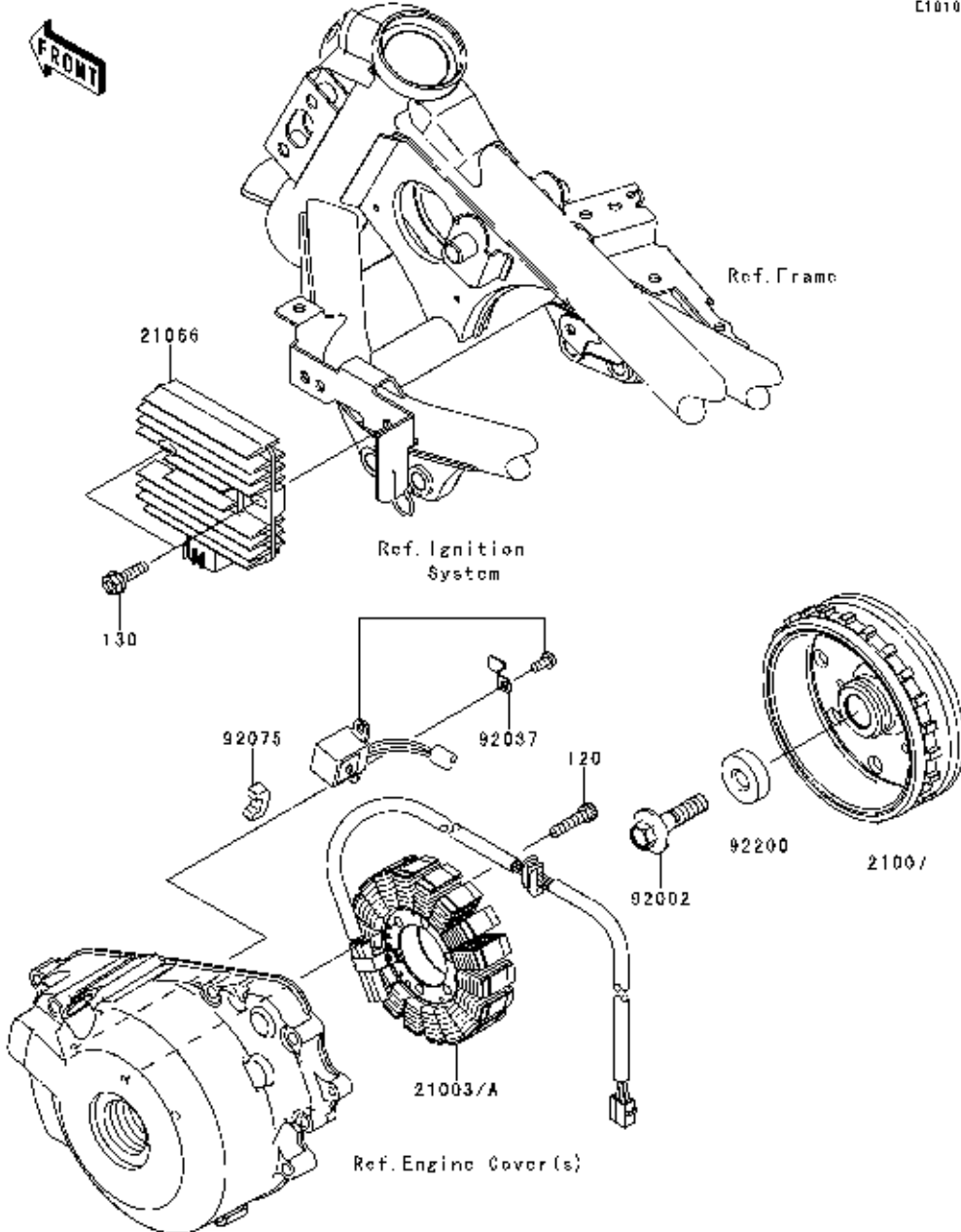
C-10

This grid covers:

Generator

C1010

Ref. No.	BAL Part No.	Description	Spec Code	Quantity		KHI Ref. No.
				'10	'11	
				KAF	KBF	
21003	PB351000	STATOR		1		21003-0069
21003A	PB351005	STATOR		1	1	21003-0115
21007	PB351001	ROTOR		1	1	21007-0110
21066	PB351002	REGULATOR-VOLTAGE		1	1	21066-0033
92002	PB114084	BOLT,FLANGED,10X40		1	1	92002-1296
92037	PB351003	CLAMP		1	1	92037-1919
92075	PB351004	DAMPER		1	1	92075-1811
92200	PB114085	WASHER		1	1	92200-1241
120	PB114082	BOLT-SOCKET,6X25		3	3	120CA0625
130	PB114083	BOLT-FLANGED,6X22		2	2	130AA0622



This catalog covers:

'10~'11 EX250 KAF/KBF Engine

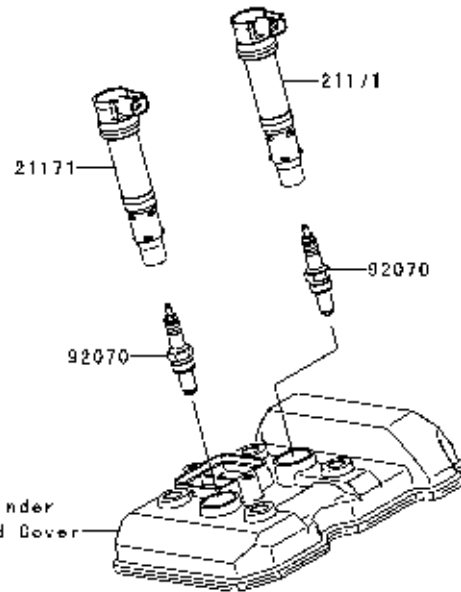
GRID NO.

C-11

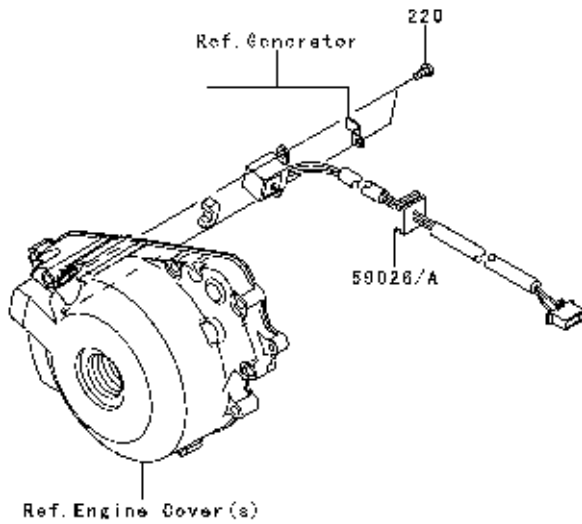
This grid covers:

Ignition System

E1930



Ref. No.	BAL Part No.	Description	Spec Code	Quantity		KHI Ref. No.
				'10	'11	
				KAF	KBF	
21171	PB351202	COIL-ASSY-IGNITION		2	2	21171-0028
59026	PB351200	COIL-PULSING		1		59026-0030
59026A	PB351006	COIL-PULSING			1	59026-0038
92070	PB351201	PLUG-SPARK,CR8E(NGK)		2	2	92070-0031
220	PB114101	SCREW-PAN-CROSS,5X10		2	2	220AA0510



This catalog covers:

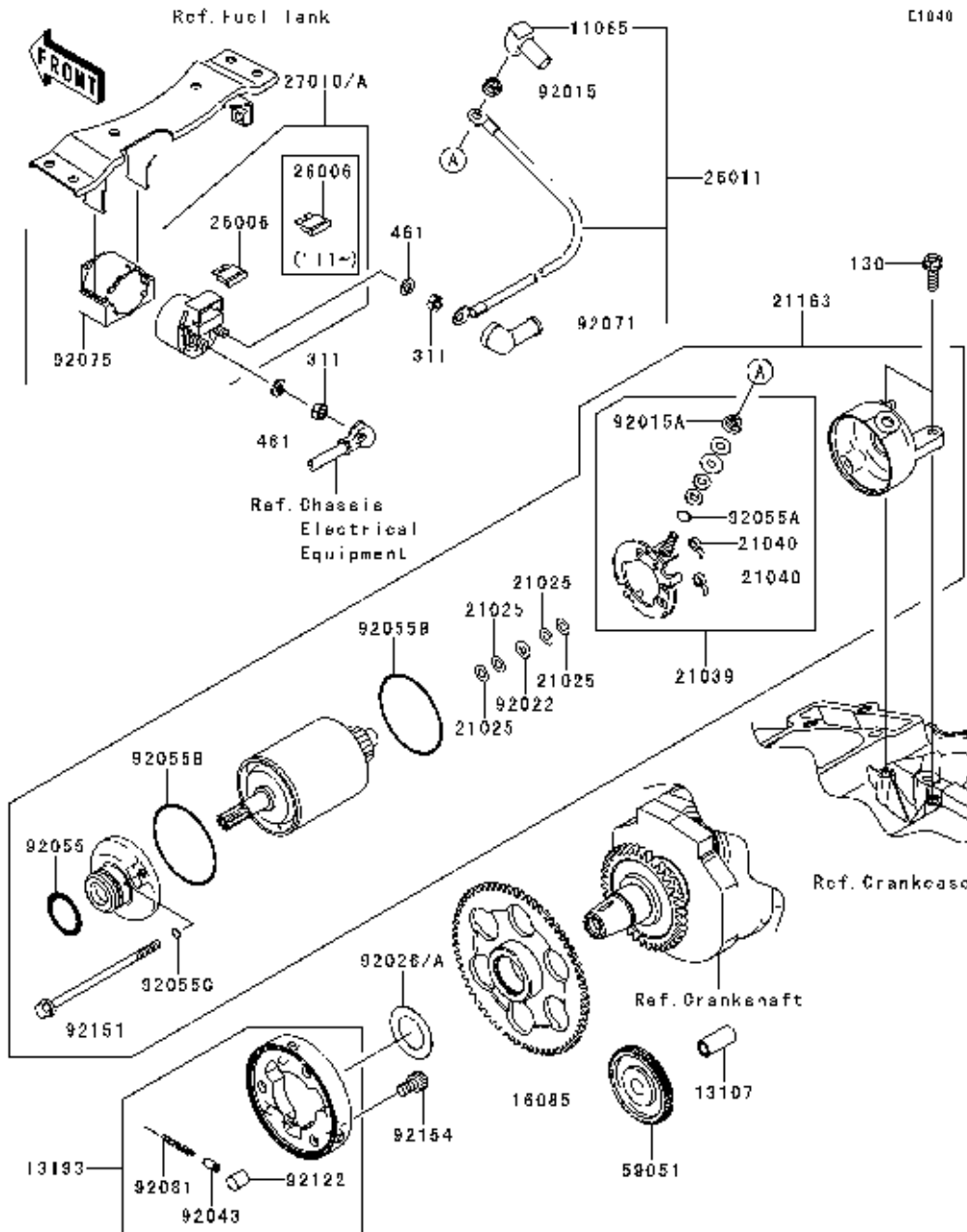
'10~'11 EX250 KAF/KBF Engine

GRID NO.

C-12

This grid covers:

Starter Motor



Ref. No.	BAL Part No.	Description	Spec Code	Quantity		KHI Ref. No.
				'10	'11	
				KAF	KBF	
11065	PB402202	CAP		1	1	11065-0213
13107	PB351600	SHAFT,7.8X12X26.5		1	1	13107-1176
13193	PB351601	CLUTCH-ASSY-ONEWAY		1	1	13193-1002
16085	PB351603	GEAR,ONEWAYCLUTCH,65T		1	1	16085-1166
21025	PB114089	WASHER,9.1X18X0.2		AR	AR	21025-011
21039	PB351605	BRUSH		1	1	21039-1066
21040	PB351606	SPRING-BRUSH		2	2	21040-1057
21163	PB351604	STARTER-ELECTRIC		1	1	21163-1317
26006	PB402213	FUSE,BLADE,30A,GREEN		1	2	26006-1006
26011	PB351607	WIRE-LEAD,STARTER		1	1	26011-0145
27010	PB351608	SWITCH,MAGNETIC		1		27010-1213
27010A	PB351612	SWITCH,MAGNETIC			1	27010-1269
59051	PB351610	GEAR-SPUR,IDLE		1	1	59051-1154
92015	PB114099	NUT,FLANGED,6MM		1	1	92015-1367
92015A	PB114090	NUT,STARTERMOTOR		1	1	92015-1476
92022	PB114092	WASHER,9.1X18X0.8		1	1	92022-1132
92026	PB351613	SPACER,25.2X40X1.0		1		92026-0153
92026A	PB351611	SPACER,25.2X40X1.0			1	92026-1285
92043	PB114087	PIN		3	3	92043-132
92055	PB114093	RING-O		1	1	92055-1276
92055A	PB114091	RING-O,4.5X2.0		1	1	92055-1370
92055B	PB114094	RING-O		2	2	92055-1550
92055C	PB114095	RING-O		2	2	92055-1551
92071	PB114097	GROMMET		1	1	92071-0037
92075	PB351609	DAMPER,MAGNETICSWITCH		1	1	92075-1863
92081	PB351602	SPRING,COIL		3	3	92081-159
92122	PB114088	ROLLER		3	3	92122-006
92151	PB114096	BOLT		2	2	92151-1980
92154	PB114100	BOLT,SOCKET,8X13		3	3	92154-0175
130	PB114086	BOLT-FLANGED,6X20		2	2	130BB0620
311	PB114098	NUT-HEX,6MM		2	2	311AA0600
461	PB113878	WASHER-SPRING,6MM		2	2	461DA0600

This catalog covers:

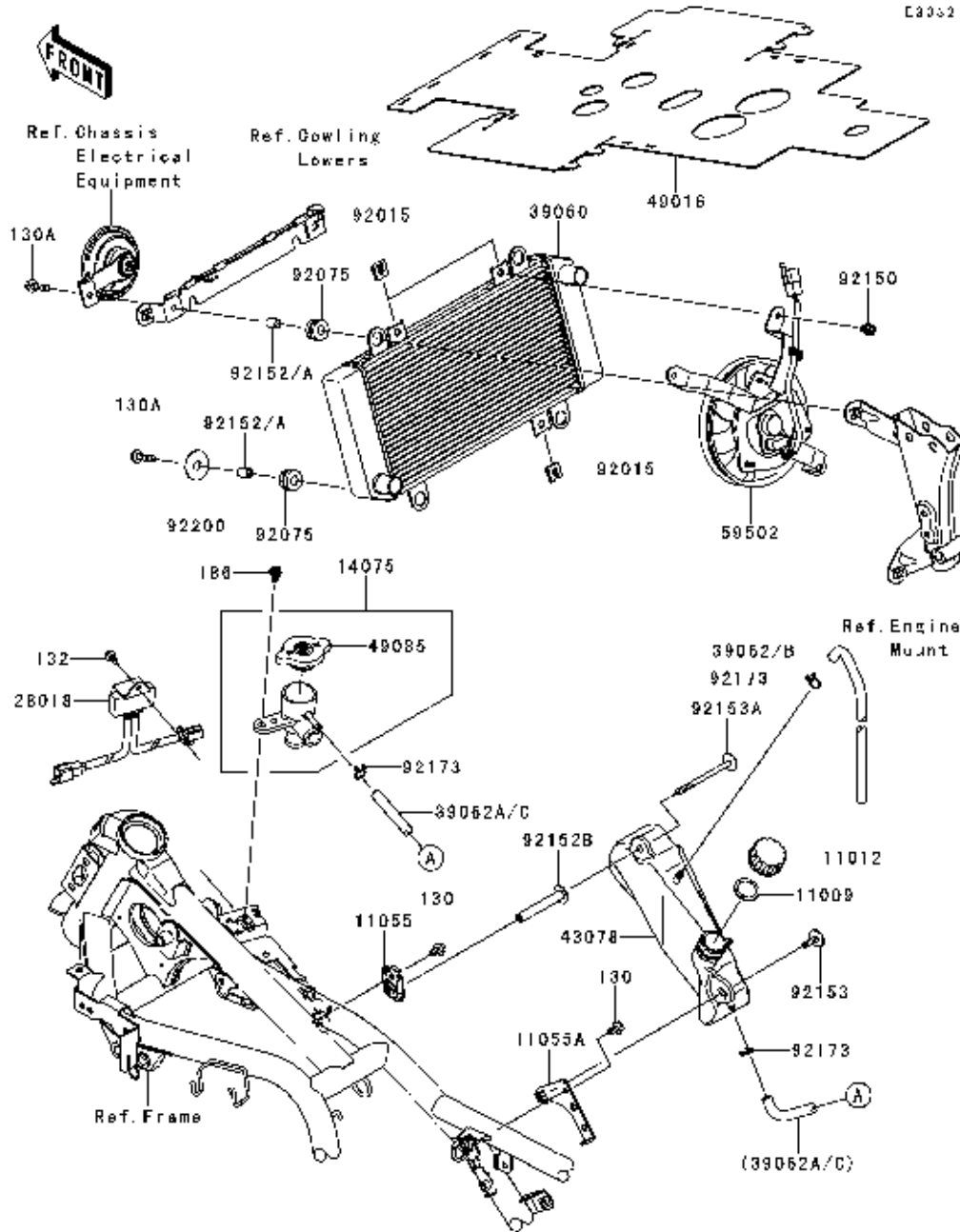
'10~'11 EX250 KAF/KBF Engine

GRID NO.

C-13

This grid covers:

Radiator



Ref. No.	BAL Part No.	Description	Spec Code	Quantity		KHI Ref. No.
				'10	'11	
				KAF	KBF	
11009	PB601003	GASKET,RESERVOIRTANKCAP		1	1	11009-1145
11012	PB601004	CAP		1	1	11012-1084
11055	PB601005	BRACKET		1	1	11055-0389
11055A	PB601006	BRACKET,RESERVOIRTANK,BLACK		1	1	11055-1010-18R
14075	PB601205	CAP-ASSY,RADIATOR		1	1	14075-1061
28018	PB601200	RESISTOR,NOIZEFILTER		1	1	28018-0002
39060	PB601201	RADIATOR		1	1	39060-0054
39062	PB601007	HOSE-COOLING,OVERFLOW		1		39062-0191
39062B	PB601226	HOSE-COOLING,OVERFLOW			1	39062-0335
39062A	PB601008	HOSE-COOLING,RESERVOIR-CAP		1		39062-0192
39062C	PB601227	HOSE-COOLING,RESERVOIR-CAP			1	39062-0336
43078	PB601009	RESERVOIR		1	1	43078-0042
49016	PB601222	COVER-SEAL,HEAT		1	1	49016-0052
49085	PB601206	CAP-ASSY-PRESSURE		1	1	49085-1066
59502	PB601202	FAN-ASSY		1	1	59502-0034
92015	PB114075	NUT		3	3	92015-1487
92075	PB601203	DAMPER		4	4	92075-209
92150	PB114076	BOLT,6X12		3	3	92150-1186
92152	PB601204	COLLAR,6.8X10X13		4		92152-0580
92152A	PB601228	COLLAR,6.8X10X13			4	92152-0846
92152B	PB601010	COLLAR,L=64.8		1	1	92152-1364
92153	PB114071	BOLT,FLANGED-SMALL,6X16		1	1	92153-1798
92153A	PB114072	BOLT,FLANGED-SMALL,6X80		1	1	92153-1799
92173	PB601011	CLAMP		3	3	92173-0050
92200	PB114077	WASHER,6.5X22X1.6		2	2	92200-1087
130	PB113910	BOLT-FLANGED,6X10		2	2	130BB0610
130A	PB113946	BOLT-FLANGED,6X25		4	4	130BB0625
132	PB114074	BOLT-FLANGED-SMALL,5X10		1	1	132BA0510
186	PB114078	BOLT-UPSET-WP,6X16		1	1	186AB0616

This catalog covers:

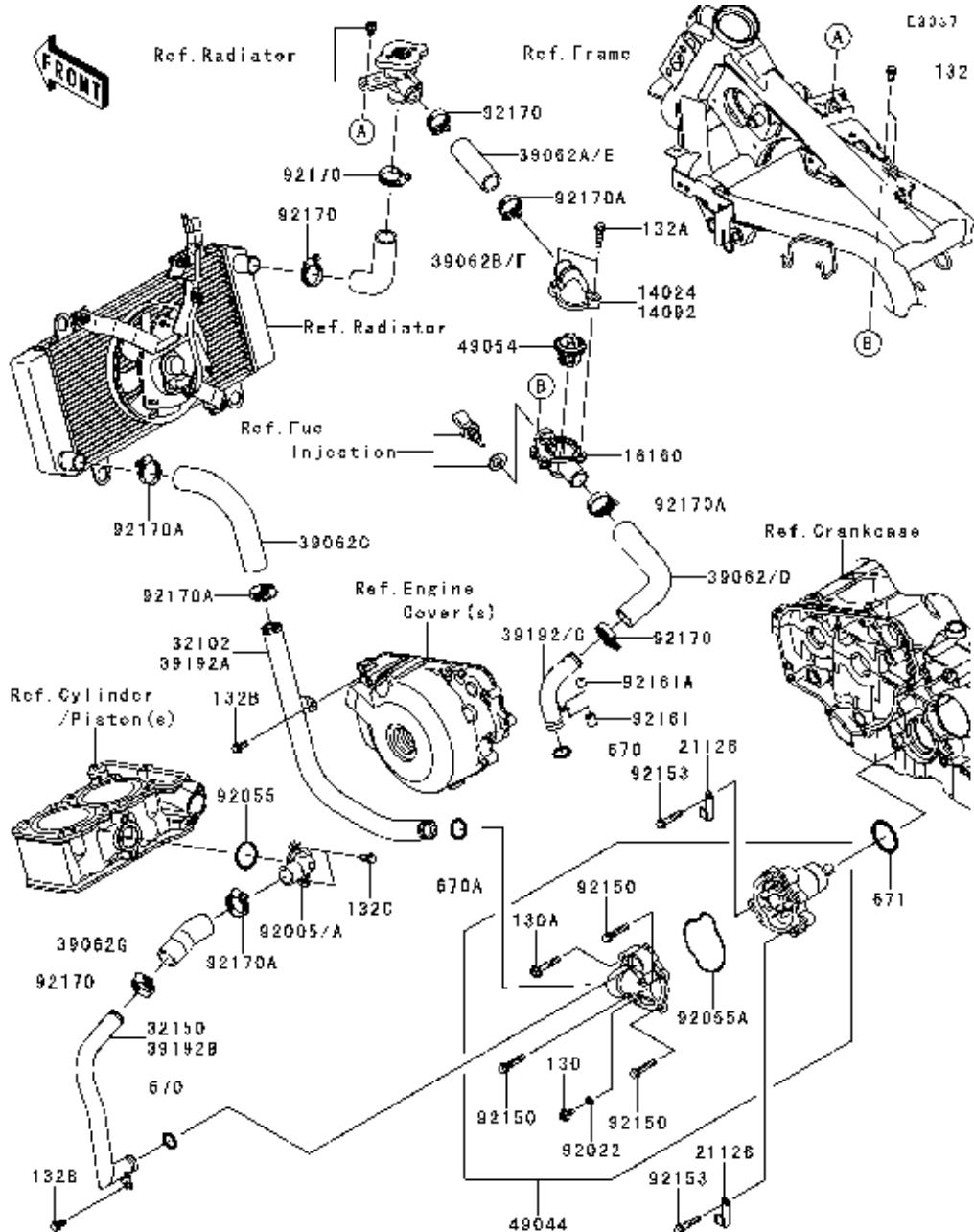
'10~'11 EX250 KAF/KBF Engine

GRID NO.

C-14

This grid covers:

Water Pipe



Ref. No.	BAL Part No.	Description	Spec Code	Quantity		KHI Ref. No.
				'10 KAF	'11 KBF	
14024	PB351415	COVER,THERMOSTAT		1		14024-1232
14092	PB601229	COVER,THERMOSTAT		1	1	14092-0133
16160	PB351416	BODY,THERMOSTAT,LWR		1	1	16160-0148
21126	PB601000	CLAMP,WIRINGHARNES		2	2	21126-008
32102	PB601214	PIPE		1		32102-1531
32150	PB601215	PIPE		1		32150-1143
39062	PB601207	HOSE-COOLING,THERMO-HEAD		1		39062-0193
39062D	PB601230	HOSE-COOLING,THERMO.-HEAD		1	1	39062-0337
39062A	PB601208	HOSE-COOLING,THERMO.-CAP		1		39062-0194
39062E	PB601231	HOSE-COOLING,THERMO.-CAP		1	1	39062-0338
39062B	PB601209	HOSE-COOLING,RAD.-CAP		1		39062-0195
39062F	PB601232	HOSE-COOLING,RAD.-CAP		1	1	39062-0339
39062C	PB601210	HOSE-COOLING,RAD.-W/P		1	1	39062-0196
39062G	PB601211	HOSE-COOLING,PUMP-CYLINDER		1	1	39062-1246
39192	PB601216	PIPE-WATER,HEAD-THERMO		1		39192-0066
39192A	PB601235	PIPE-WATER		1		39192-0128
39192B	PB601234	PIPE-WATER		1		39192-0129
39192C	PB601233	PIPE-WATER		1		39192-0131
49044	PB601001	PUMP-WATER		1	1	49044-1086
49054	PB351417	THERMOSTAT		1	1	49054-1056
92005	PB601236	FITTING		1		92005-0120
92005A	PB601221	FITTING,CYLINDER		1		92005-1145
92022	PB114067	WASHER,6MM		1	1	92022-1976
92055	PB114081	RING-O,27.7X2.4		1	1	92055-091
92055A	PB114068	RING-O		1	1	92055-1432
92150	PB114069	BOLT		3	3	92150-1562
92153	PB114042	BOLT,6X30		2	2	92153-0832
92161	PB601219	DAMPER,10X11.5		1	1	92161-0690
92161A	PB601220	DAMPER,10X7.5		1	1	92161-0691
92170	PB601212	CLAMP,COOLINGHOSE		5	5	92170-1033
92170A	PB601213	CLAMP,HOSE,32MM		5	5	92170-1286
130	PB114065	BOLT-FLANGED,6X10		1	1	130AB0610
130A	PB114066	BOLT-FLANGED,6X35		1	1	130BB0635
132	PB114073	BOLT-FLANGED-SMALL,6X12		2	2	132BA0612
132A	PB113965	BOLT-FLANGED-SMALL,6X25		2	2	132BA0625
132B	PB114079	BOLT-FLANGED-SMALL,6X12		2	2	132BB0612
132C	PB114080	BOLT-FLANGED-SMALL,6X16		2	2	132BB0616
670	PB571014	ORING,16MM		2	2	670B2016
670A	PB601218	ORING,18MM		1	1	670B2018
671	PB601002	ORING		1	1	671D2535

This catalog covers:

'10~'11 EX250 KAF/KBF Chassis

GRID NO.

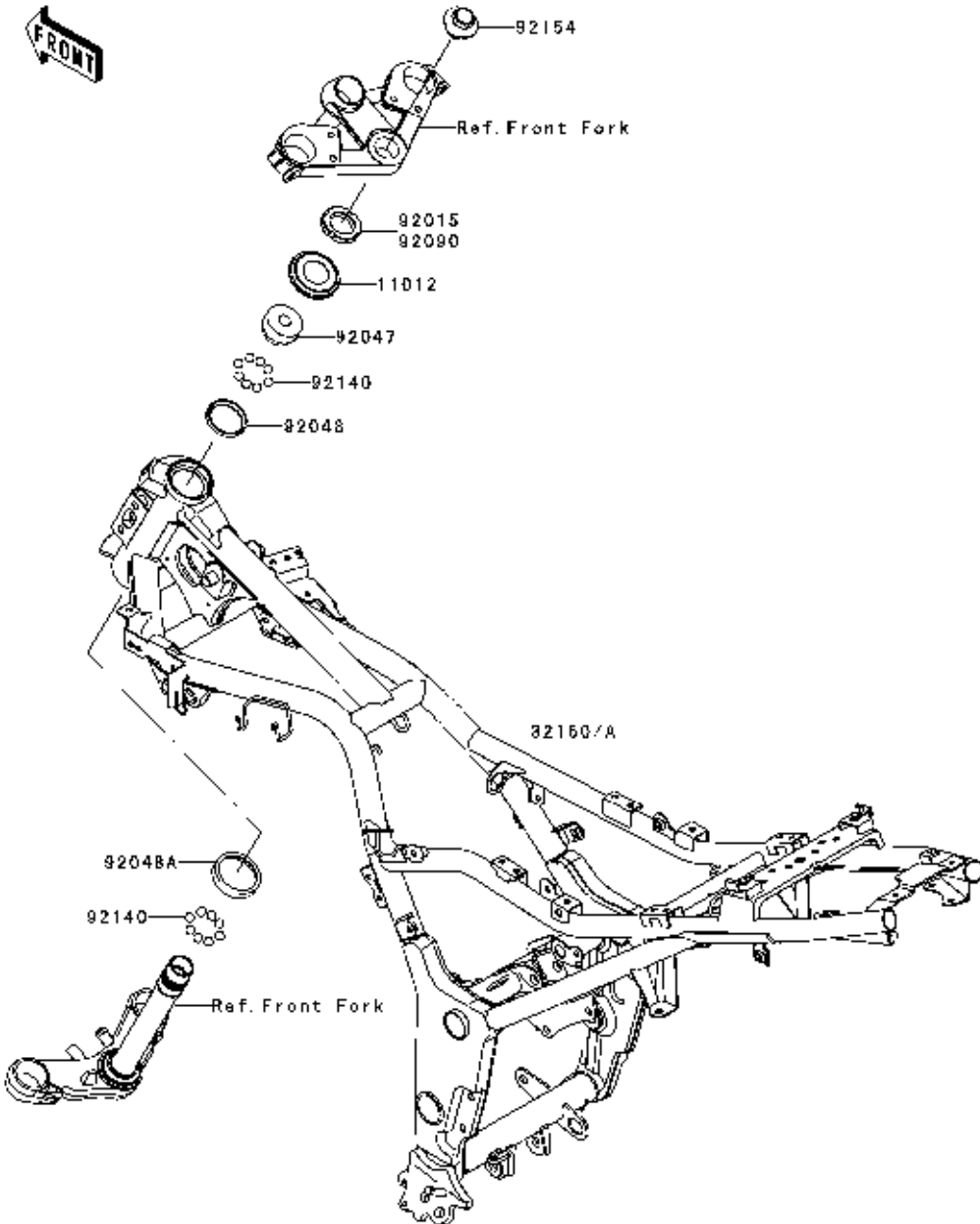
D-3

This grid covers:

Frame

F2120

Ref. No.	BAL Part No.	Description	Spec Code	Quantity		KHI Ref. No.
				'10	'11	
				KAF	KBF	
11012	PB121000	CAP,STEERINGSTEM		1	1	11012-1898
32160	PB111000	FRAME-COMP,BLACK		1		32160-0422-18R
32160A	PB111002	FRAME-COMP,F.S.BLACK			1	32160-0494-18R
92015	PB113849	NUT,30MM,BLACK		1		92090-007
92047	PB121001	RACE,STEERINGSTEMBEARING		1	1	92047-011
92048	PB121002	RACE,STEERINGSTEMBEARING		1	1	92048-006
92048A	PB121003	RACE,STEERINGSTEMBEARING		1	1	92048-008
92140	PB113850	BALL,6.35MM		39	39	92140-0008
92154	PB113851	BOLT,FLANGED,16X22,F.S.BLACK		1	1	92154-0075-18R



This catalog covers:

'10~'11 EX250 KAF/KBF Chassis

GRID NO.

D-4

This grid covers:

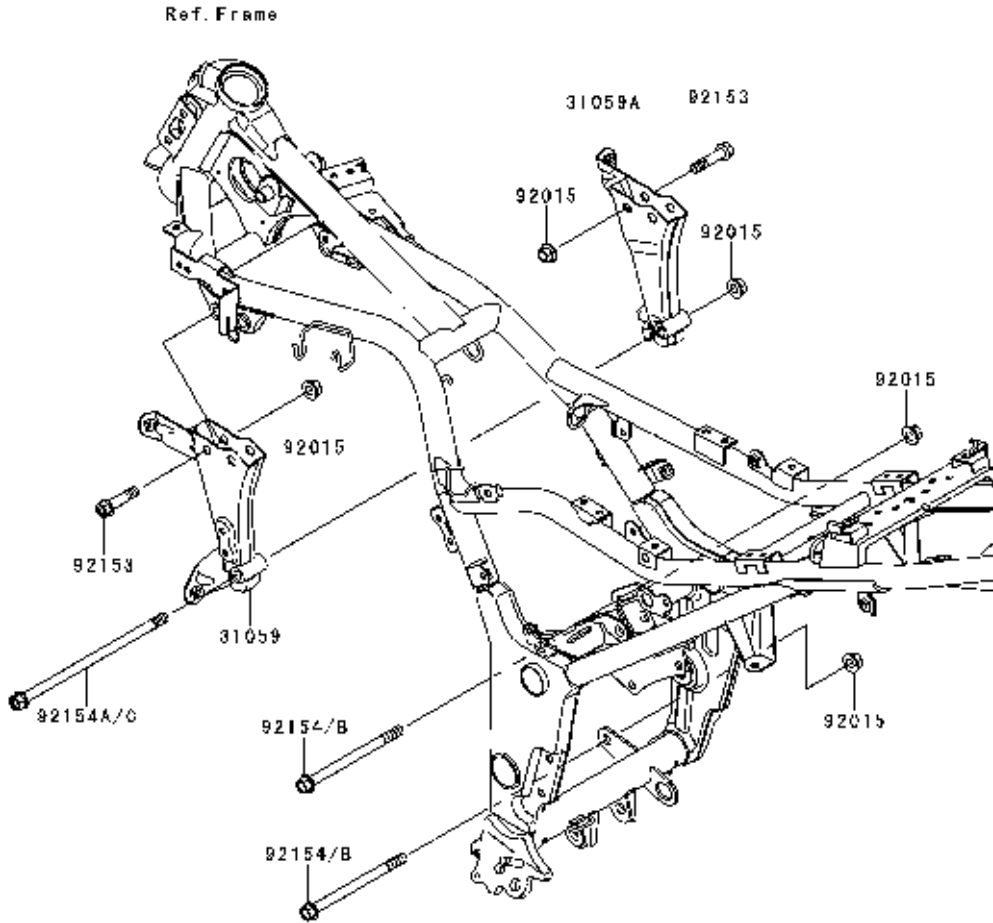
Engine Mount

F2122



Ref. No.	BAL Part No.	Description	Spec Code	Quantity		KHI Ref. No.
				'10	'11	
				KAF	KBF	

31059	PB113400	BRACKET-COMP-ENGINE,LH		1	1	31059-0003
31059A	PB113401	BRACKET-COMP-ENGINE,RH		1	1	31059-0004
92015	PB113900	NUT,FLANGED,10MM		7	7	92015-1415
92153	PB113901	BOLT,FLANGED,10X42		4	4	92153-1957
92154	PB113902	BOLT,FLANGED,10X135		2		92154-0035
92154B	PB114131	BOLT,FLANGED,10X135			2	92154-0359
92154A	PB113903	BOLT,FLANGED,10X210		1		92154-0036
92154C	PB114132	BOLT,FLANGED,10X210			1	92154-0360



This catalog covers:

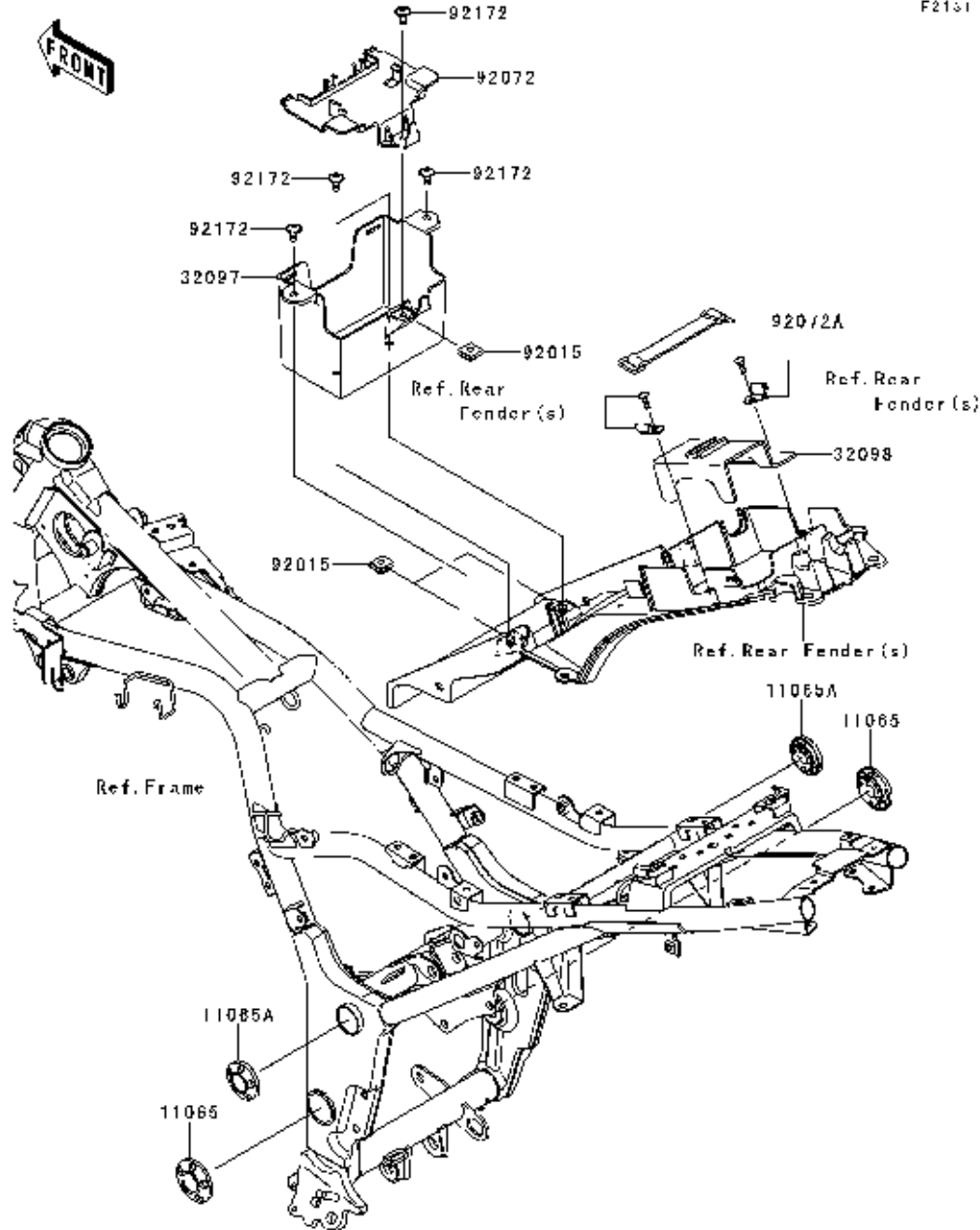
'10~'11 EX250 KAF/KBF Chassis

GRID NO.

D-5

This grid covers:

Frame Fittings



F2131

Ref. No.	BAL Part No.	Description	Spec Code	Quantity		KHI Ref. No.
				'11	'10	
				KAF	KBF	
11065	PB113895	CAP,SWINGARMBRACKET,BLACK	2	2	11065-0262-18T	
11065A	PB113896	CAP,SWINGARMBRACKET,BLACK	2	2	11065-0263-18T	
32097	PB113898	CASE-BATTERY	1	1	32097-0022	
32098	PB113897	CASE-TOOL	1	1	32098-0019	
92015	PB113887	NUT,6MM	3	3	92015-1094	
92072	PB113899	BAND,BATTERY	1	1	92072-0069	
92072A	PB113904	BAND,TOOL	1	1	92072-0099	
92172	PB113862	SCREW, 6X14	5	5	92172-0004	

This catalog covers:

'10~'11 EX250 KAF/KBF Chassis

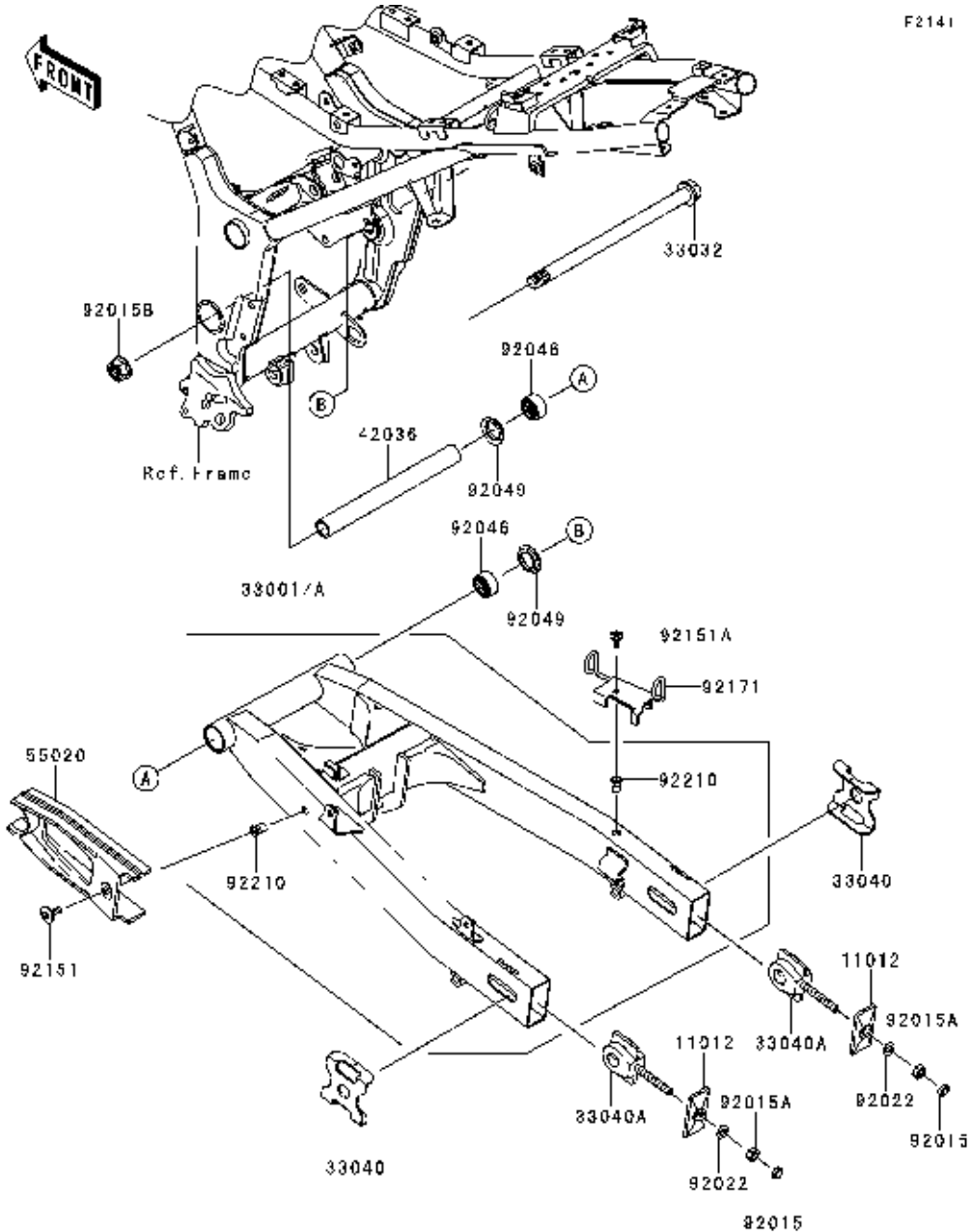
GRID NO.

D-6

This grid covers:

Swingarm

F2141



Ref. No.	BAL Part No.	Description	Spec Code	Quantity		KHI Ref. No.
				'10	'11	
				KAF	KBF	
11012	PB122002	CAP,CHAINADJUSTER,BLACK		2	2	11012-1871-18R
33001	PB122000	ARM-COMP-SWING,BLACK		1		33001-0204-18R
33001A	PB122021	ARM-COMP-SWING,F.S.BLACK			1	33001-0223-18R
33032	PB122001	SHAFT-SWINGARM		1	1	33032-1134
33040	PB122003	ADJUSTER-CHAIN,OUTER,BLACK		2	2	33040-0030-18R
33040A	PB122004	ADJUSTER-CHAIN,INNER		2	2	33040-1116
42036	PB122005	SLEEVE,16.1X22X213		1	1	42036-1218
55020	PB122006	GUARD,CHAIN		1	1	55020-0317
92015	PB113801	NUT,8MM		2	2	92015-1364
92015A	PB113802	NUT,8MM		2	2	92015-1658
92015B	PB113804	NUT,FLANGED,16MM		1	1	92015-1946
92022	PB113803	WASHER,8.5X16X1.2		2	2	410AA0800
92046	PB113805	BEARING-NEEDLE,F-2220		2	2	92046-1162
92049	PB122007	SEAL-OIL,MHA22285.7F		2	2	92049-1254
92151	PB113806	BOLT,SOCKET,6X18		1	1	92151-1149
92151A	PB113807	BOLT,SOCKET,6X14		1	1	92151-1654
92171	PB122008	CLAMP,BRAKEHOSE		1	1	92171-1942
92210	PB113800	NUT,POP,6MM,L=15		2	2	92210-1397

This catalog covers:

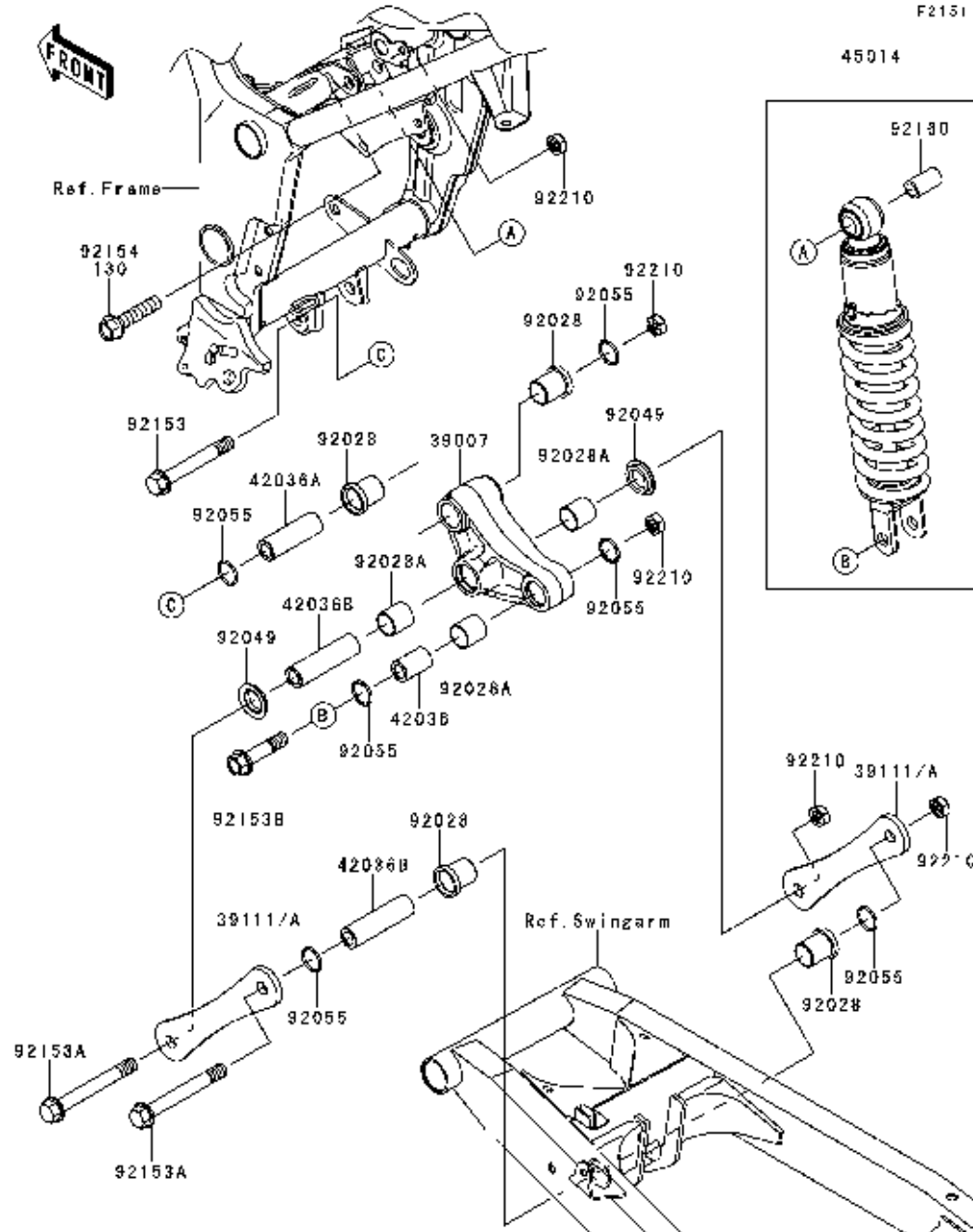
'10~'11 EX250 KAF/KBF Chassis

GRID NO.

D-7

This grid covers:

Suspension/Shock Absorber



Ref. No.	BAL Part No.	Description	Spec Code	Quantity		KHI Ref. No.
				'10	'11	
				KAF	KBF	
39007	PB122009	ARM-SUSP,UNITRAK		1	1	39007-0159
39111A	PB122018	ROD-TIE,SUSPENSION		2		39111-0078
39111	PB122022	ROD-TIE,SUSPENSION			2	39111-0076
42036	PB122010	SLEEVE,12.1X20X32		1	1	42036-1077
42036A	PB122011	SLEEVE,ARM,FR		1	1	42036-1078
42036B	PB122012	SLEEVE,12.1X20X74		2	2	42036-1102
45014	PB122016	SHOCK,SPRINGBLK+BODYBLK		1	1	45014-0242-23J
92028	PB122013	BUSHING		4	4	92028-1597
92028A	PB122014	BUSHING		3	3	92028-1598
92049	PB122015	SEAL-OIL,ARM		2	2	92049-1109
92055	PB113809	RING-O,19.8X2.2		6	6	92055-1215
92153	PB113810	BOLT,FLANGED,12X86		1	1	92153-1830
92153A	PB113811	BOLT,FLANGED,12X98		2	2	92153-1831
92153B	PB113812	BOLT,FLANGED,12X52		1	1	92153-1832
130	PB113808	BOLT-FLANGED,12X55		1		130BB1255
92154	PB114133	BOLT,FLANGED,12X55			1	92154-0362
92160	PB122017	DAMPER,SHOCKABSORBER		1	1	92160-1161
92210	PB113813	NUT,LOCK,12MM		5	5	92210-1247

This catalog covers:

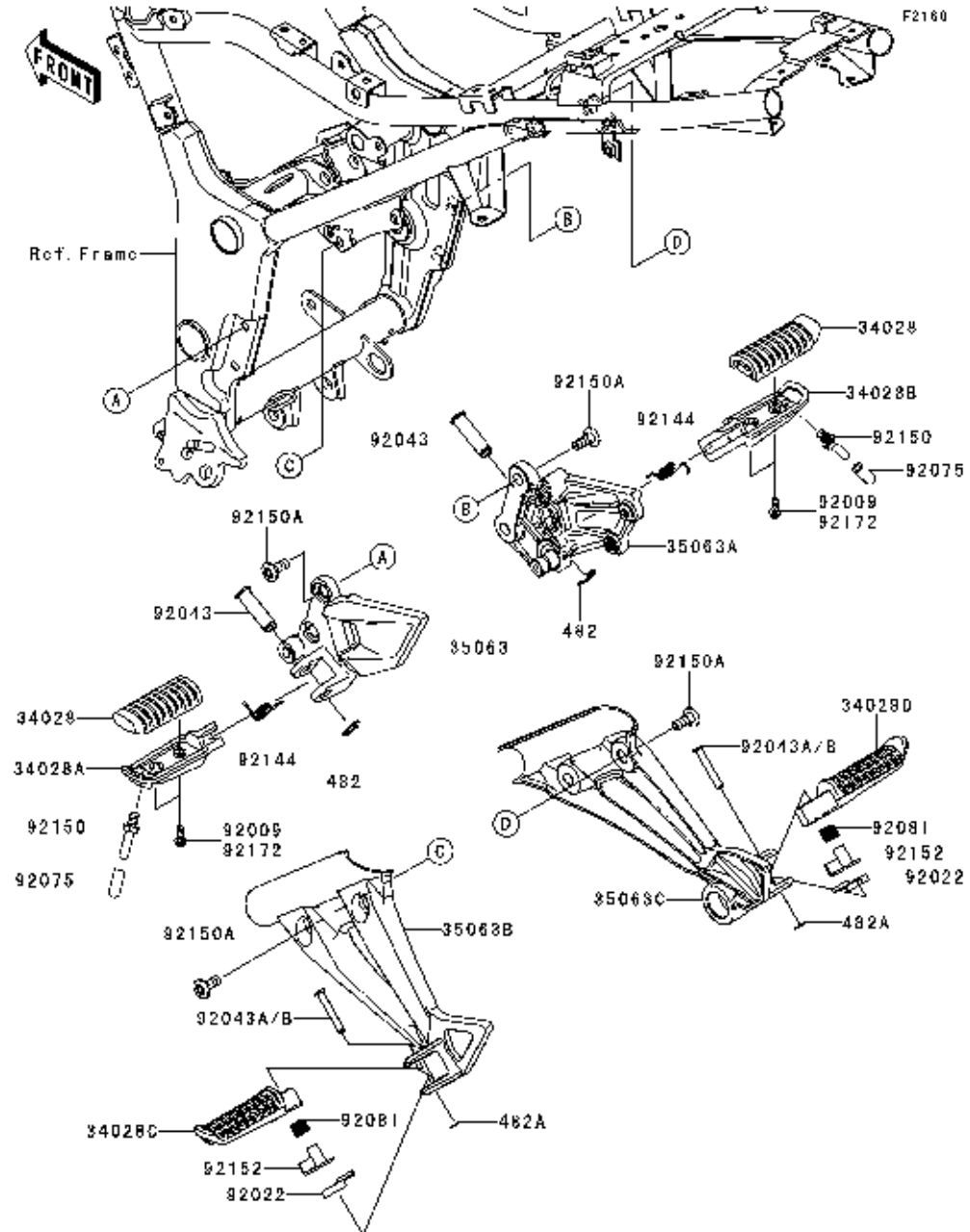
'10~'11 EX250 KAF/KBF Chassis

GRID NO.

D-8

This grid covers:

Footrests



Ref. No.	BAL Part No.	Description	Spec Code	Quantity		KHI Ref. No.
				'10	'11	
				KAF	KBF	
34028	PB113000	STEP,RUBBER,FR,LH		2	2	34028-0133
34028A	PB113001	STEP,FR,LH		1	1	34028-1450
34028B	PB113005	STEP,FR,RH		1	1	34028-1451
34028C	PB113007	STEP,RR,LH		1	1	34028-1488
34028D	PB113011	STEP,RR,RH		1	1	34028-1489
35063	PB113002	STAY,STEPHOLDER,FR,LH,BLACK		1	1	35063-0385-18R
35063A	PB113006	STAY,STEPHOLDER,FR,RH,BLACK		1	1	35063-0386-18R
35063B	PB113008	STAY,STEPHOLDER,RR,LH,BLACK		1	1	35063-0626-18R
35063C	PB113012	STAY,STEPHOLDER,RR,RH,BLACK		1	1	35063-0627-18R
92009	PB113815	SCREW,5X14		4		92009-1404
92022	PB113819	WASHER,STOPPER		2	2	92022-1661
92043	PB113816	PIN,12X37.5		2	2	92043-0026
92043A	PB114134	PIN,6X40		2	2	92043-0200
92043B	PB113820	PIN,6X40		2	2	92043-1595
92075	PB113003	DAMPER		2	2	92075-1980
92081	PB113009	SPRING,STEP,RR		2	2	92081-1612
92144	PB113004	SPRING,STEPRETURN		2	2	92144-1567
92150	PB113817	BOLT,BANKSENSOR		2	2	92150-1002
92150A	PB113821	BOLT,SOCKET,8X20		8	8	92150-1760
92152	PB113010	COLLAR,STEP		2	2	92152-0658
92172	PB114135	SCREW-PAN-WP-CROS,5X14			4	92172-0473
482	PB113814	CIRCLIP-TYPE-E,10MM		2	2	482EA0100
482A	PB113818	CIRCLIP-TYPE-E		2	2	482EA5000

This catalog covers:

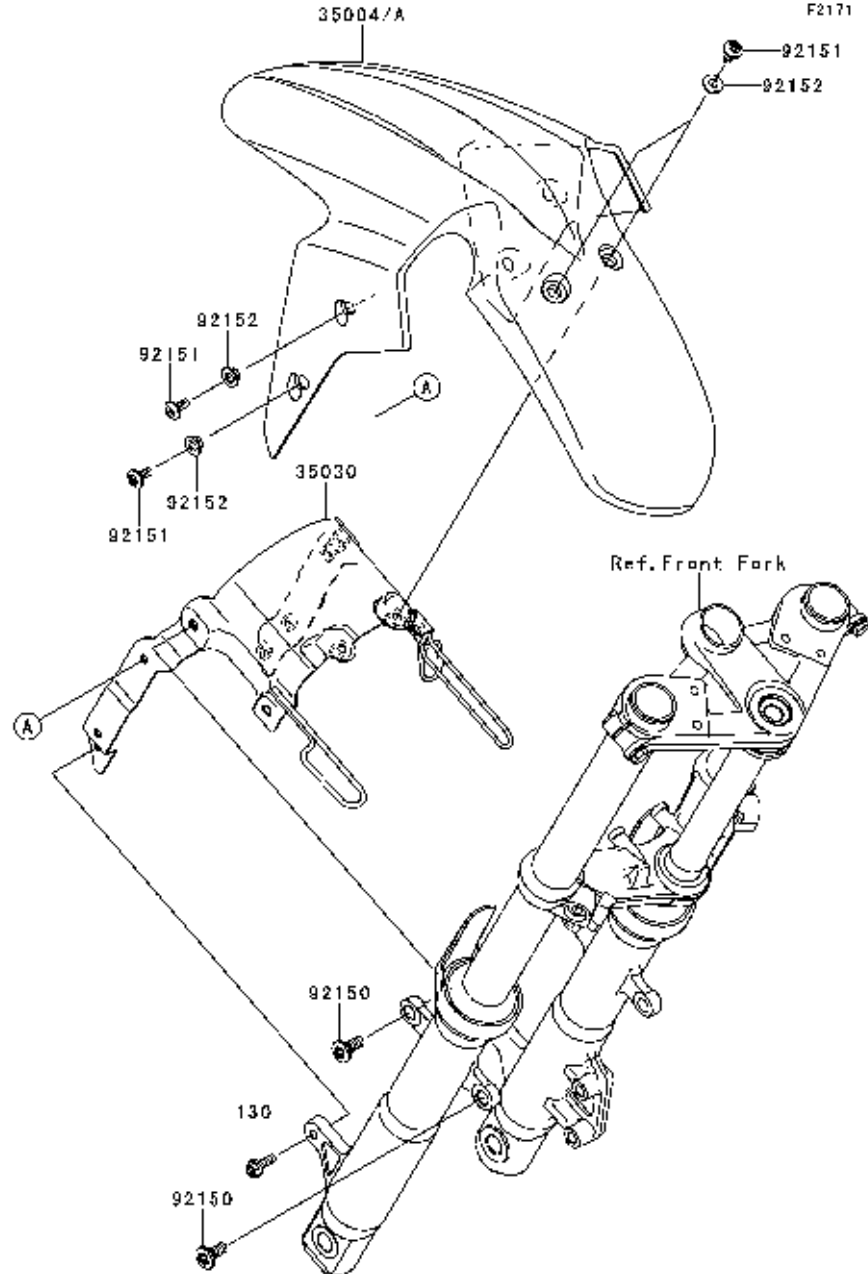
'10~'11 EX250 KAF/KBF Chassis

GRID NO.

D-9

This grid covers:

Front Fender(s)



Ref. No.	BAL Part No.	Description	Spec Code	Quantity		KHI Ref. No.
				'10	'11	
				KAF	KBF	
35004	PB181401	FENDER-FRONT,EBONY		1	1	35004-0079-H8
35004A	PB181400	FENDER-FRONT,L.GREEN		1	1	35004-0079-777
35030	PB181402	BRACE-ASSY,FRONTFENDER		1	1	35030-0006
92150	PB113821	BOLT,SOCKET,8X20		4	4	92150-1760
92151	PB113807	BOLT,SOCKET,6X14		6	6	92151-1654
92152	PB121027	COLLAR,6.8X10(16)X6.6		6	6	92152-0842
92152	PB181403	COLLAR		6		92152-0422
130	PB113822	BOLT-FLANGED,6X18		2	2	130BB0618

This catalog covers:

'10~'11 EX250 KAF/KBF Chassis

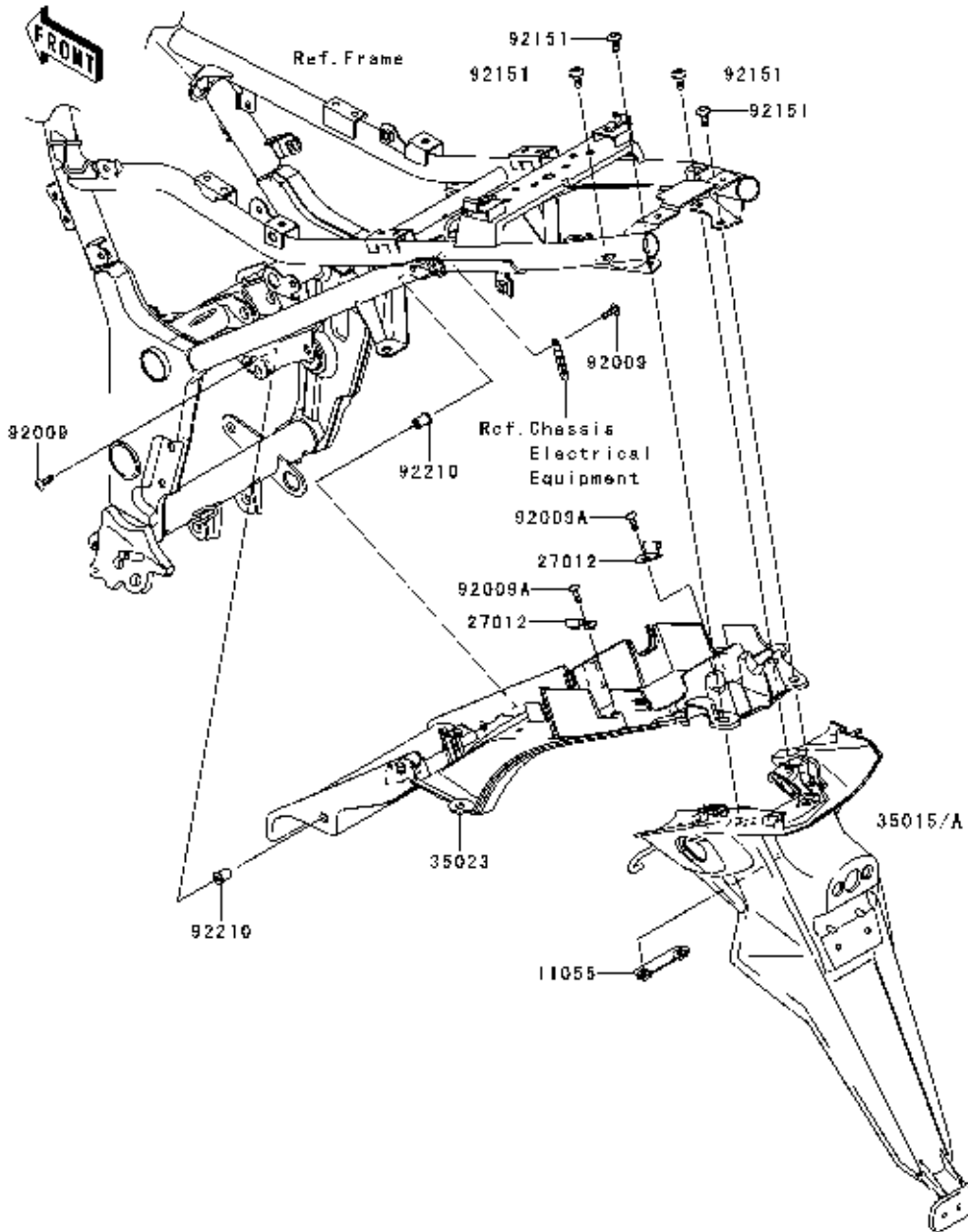
GRID NO.

D-10

This grid covers:

Rear Fender(s)

F2172



Ref. No.	BAL Part No.	Description	Spec Code	Quantity		KHI Ref. No.
				'10	'11	
				KAF	KBF	
11055	PB181404	BRACKET, TAILLAMP		1	1	11055-1181
27012	PB181406	HOOK, TOOLBAND		2	2	27012-0129
35015	PB181405	FLAP-COMP		1		35015-0020
35015A	PB181408	FLAP-COMP			1	35015-0025
35023	PB181407	FENDER-REAR, FR		1	1	35023-0107
92009	PB113823	SCREW, 5X16, BLACK		2	2	92009-1654
92009A	PB113824	SCREW, 6X14		2	2	92009-3845
92151	PB113807	BOLT, SOCKET, 6X14		4	4	92151-1654
92210	PB113825	NUT, WELL, 5MM		2	2	92210-0498

This catalog covers:

'10~'11 EX250 KAF/KBF Chassis

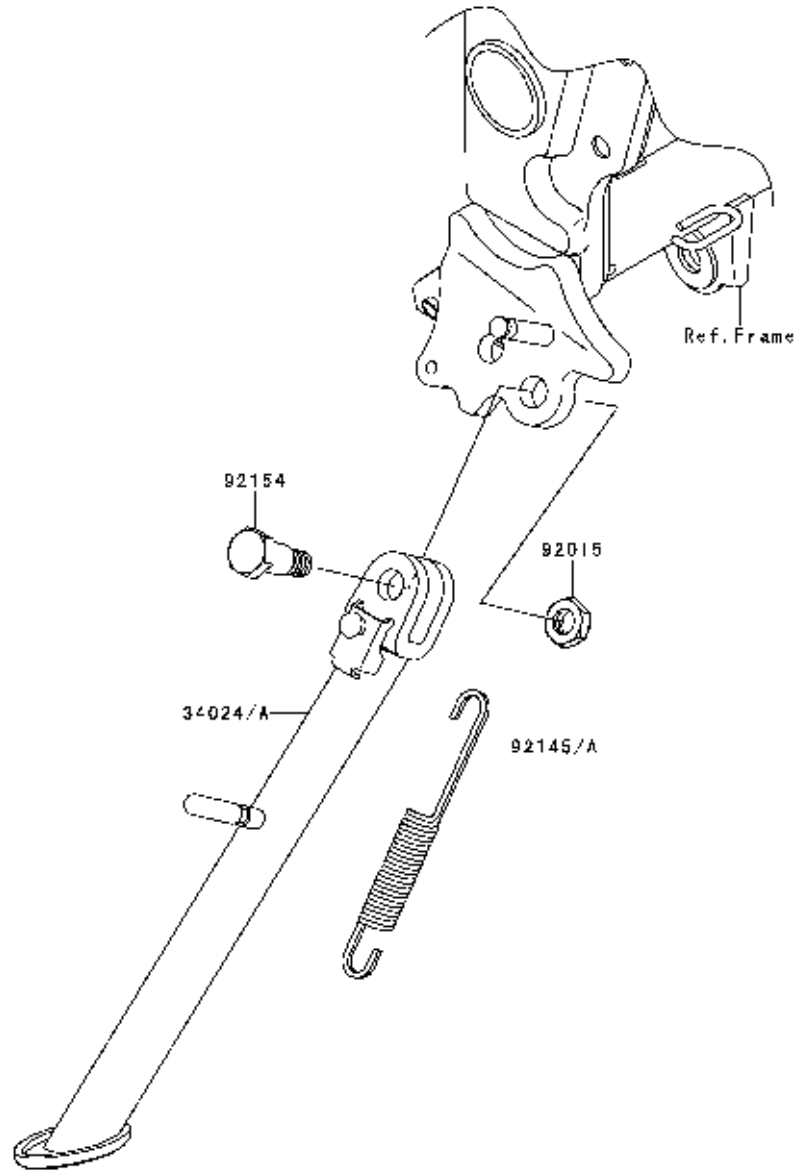
GRID NO.

D-11

This grid covers:

Stand(s)

F2180



Ref. No.	BAL Part No.	Description	Spec Code	Quantity		KHI Ref. No.
				'10	'11	
				KAF	KBF	
34024	PB113200	STAND-SIDE,BLACK		1		34024-0037-18R
34024A	PB113202	STAND-SIDE,F.S.BLACK		1	1	34024-0091-18R
92015	PB113827	NUT,LOCK,10MM,BLACK		1	1	92015-1188
92145	PB113201	SPRING,SIDESTAND		1		92145-0084
92145A	PB113203	SPRING,SIDESTAND			1	92145-0804
92154	PB113826	BOLT,SIDESTAND		1	1	92154-0412

This catalog covers:

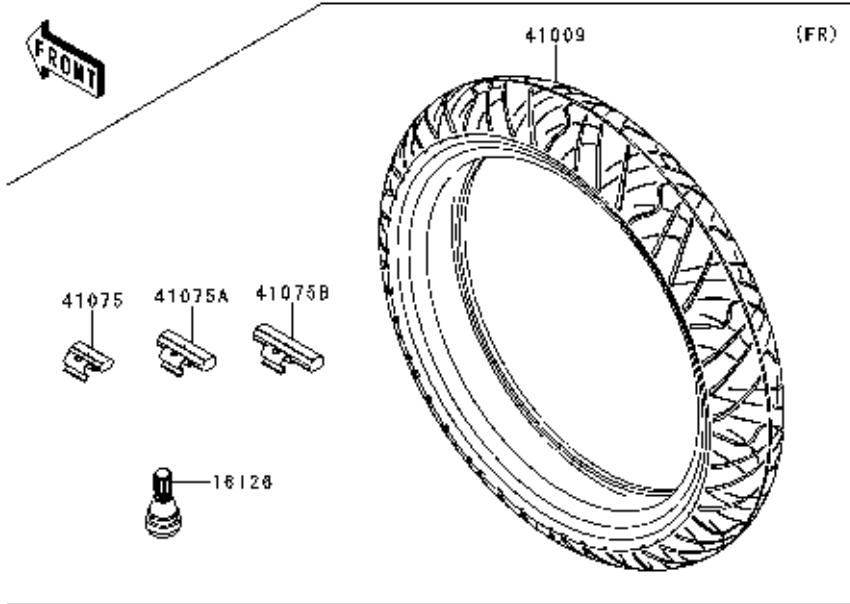
'10~'11 EX250 KAF/KBF Chassis

GRID NO.

D-12

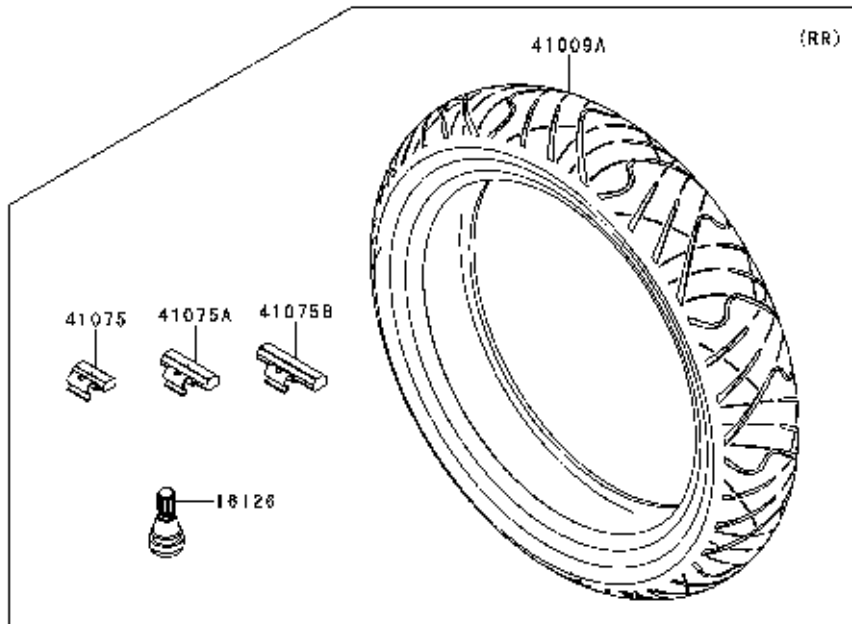
This grid covers:

Tires



F2210

Ref. No.	BAL Part No.	Description	Spec Code	Quantity		KHI Ref. No.
				'10	'11	
				KAF	KBF	
16126	PB131000	VALVE,TIRE		2	2	16126-1140
41009	PB131001	TIRE,FR,110/70-1754S,RX-01F		1	1	41009-0251
41009A	PB131200	TIRE,RR,130/70-1762S,RX-01R		1	1	41009-0252
41075	PB131002	BALANCER-WHEEL,10G,SILVER		AR	AR	41075-0007
41075A	PB131003	BALANCER-WHEEL,20G,SILVER		AR	AR	41075-0008
41075B	PB131004	BALANCER-WHEEL,30G,SILVER		AR	AR	41075-0009



This catalog covers:

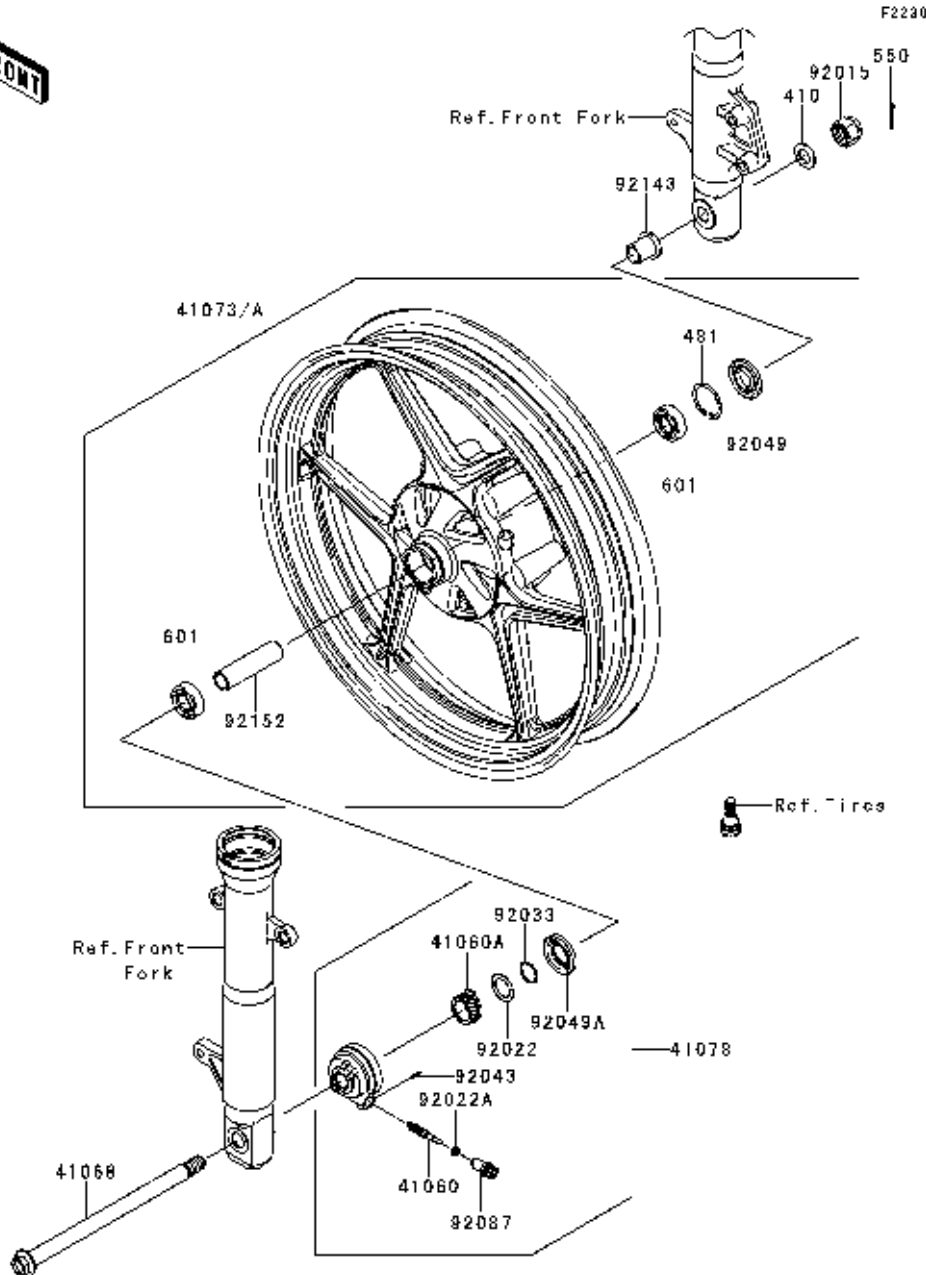
'10~'11 EX250 KAF/KBF Chassis

GRID NO.

D-13

This grid covers:

Front Hub



Ref. No.	BAL Part No.	Description	Spec Code	Quantity		KHI Ref. No.
				'10	'11	
				KAF	KBF	
41060	PB131805	GEAR-METERSCREW,9T		1	1	41060-0004
41060A	PB131806	GEAR-METERSCREW,23T		1	1	41060-0005
41068	PB131800	AXLE,FR		1	1	41068-0024
41073	PB131801	WHEEL-ASSY,FR,G.BLACK		1		41073-0095-QT
41073A	PB131005	WHEEL-ASSY,FR,G.BLACK			1	41073-0178-QT
41078	PB131804	CASE-ASSY-METERGEAR		1	1	41078-0010
92015	PB113836	NUT,CASTLE,14MM		1	1	92015-1765
92022	PB113831	WASHER,20X29X1.0		1	1	92022-1510
92022A	PB113832	WASHER,5X9.5X0.8		1	1	92022-1511
92033	PB113833	RING-SNAP,19MM		1	1	92033-1160
92043	PB113834	PIN,SPRING,2X14		1	1	92043-1220
92049	PB131802	SEAL-OIL		1	1	92049-0136
92049A	PB131807	SEAL-OIL,SD42506		1	1	92049-1173
92087	PB131808	BUSHING-METERGEAR		1	1	92087-1051
92143	PB131809	COLLAR,FRAXLE,L=24		1	1	92143-1187
92152	PB131803	COLLAR,FRHUB,L=74.5		1	1	92152-0525
410	PB113828	WASHER-PLAIN-SMALL,14MM		1	1	410AA1400
481	PB113829	CIRCLIP-TYPE-C,35MM		1	1	481J3500
550	PB113835	PIN-COTTER,3.0X25		1	1	550AA3025
601	PB113830	BEARING-BALL		2	2	601B6202UU

This catalog covers:

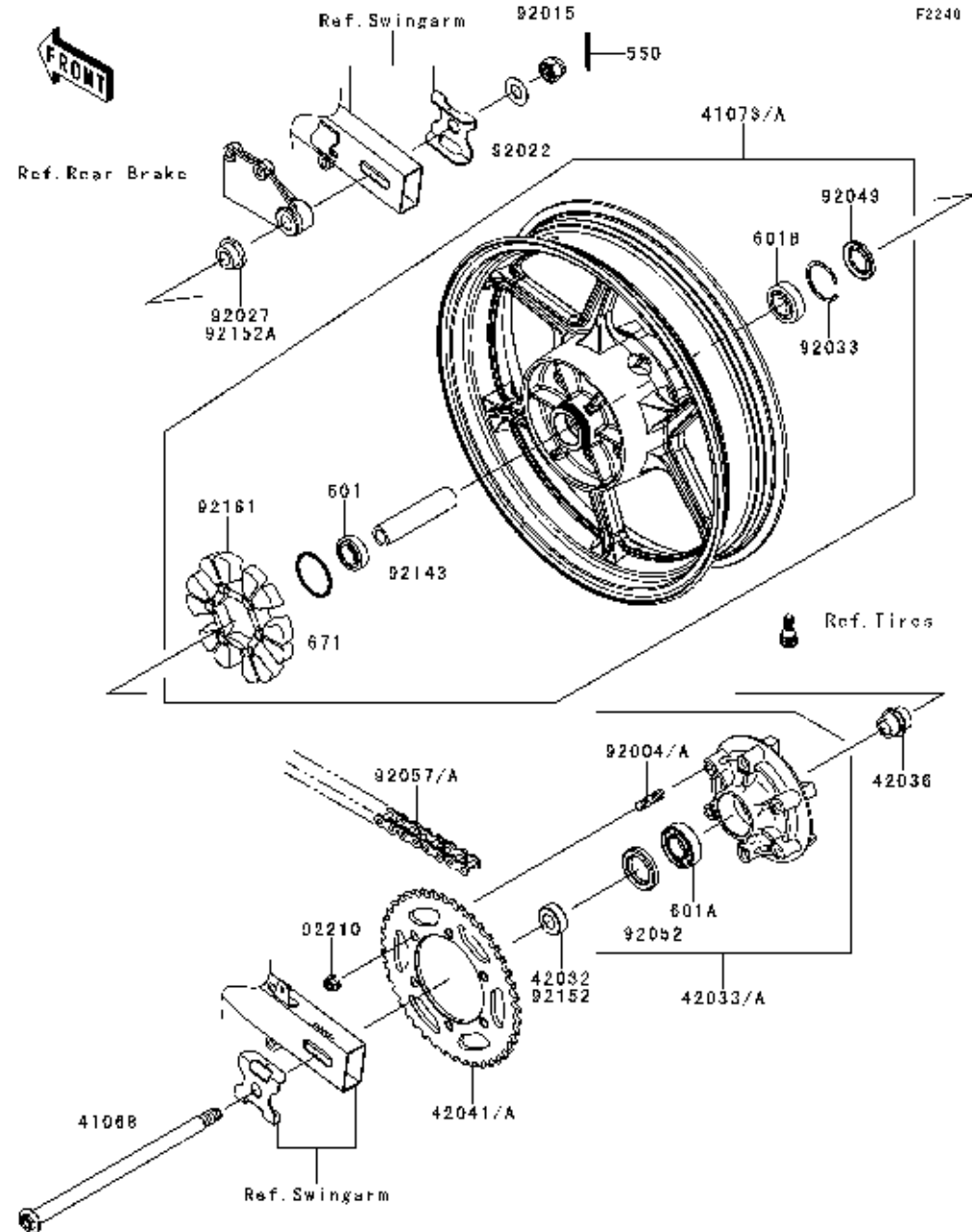
'10~'11 EX250 KAF/KBF Chassis

GRID NO.

D-14

This grid covers:

Rear Hub



Ref. No.	BAL Part No.	Description	Spec Code	Quantity		KHI Ref. No.
				'10	'11	
				KAF	KBF	
41068	PB131810	AXLE,RR		1	1	41068-1223
41073	PB131811	WHEEL-ASSY,RR,G.BLACK		1		41073-0153-QT
41073A	PB131201	WHEEL-ASSY,RR,G.BLACK			1	41073-0179-QT
42032	PB131816	COLLAR,RRAXLE,L=13		1		42032-063
92152	PB131202	COLLAR,17X35X13			1	92152-0843
42033	PB131817	COUPLING-ASSY,RRHUB		1		42033-0030
42033A	PB131600	COUPLING-ASSY,RRHUB			1	42033-0039
42036	PB131819	SLEEVE,RRHUB,L=30		1	1	42036-1055
42041	PB141002	SPROCKET-HUB,43T			1	42041-0088
42041A	PB141000	SPROCKET-HUB,43T		1		42041-1478
92004	PB113840	STUD,10X19		6		92004-0028
92004A	PB141003	STUD,10X19			6	92004-0048
92015	PB113843	NUT,CASTLE,16MM		1	1	92015-1947
92022	PB113844	WASHER,17.5X34X2.0		1	1	92022-1916
92027	PB131820	COLLAR,RRHUB		1		92027-1785
92152A	PB131203	COLLAR,17X28(38)X15			1	92152-0844
92033	PB113839	RING-SNAP,47MM		1	1	92033-1042
92049	PB131813	SEAL-OIL,BJN28475		1	1	92049-1056
92052	PB131818	SEAL-OIL,TWC35527		1	1	92052-006
92057	PB141004	CHAIN,DRIVE,DID520VP2-TX106L			1	92057-0207
92057A	PB141001	CHAIN,DRIVE,EK520SR-O2X106L		1		92057-1411
92143	PB131814	COLLAR,RRHUB,L=111		1	1	92143-1416
92161	PB131815	DAMPER,RRHUBSHOCK		1	1	92161-0700
92210	PB113845	NUT,LOCK,FLANGED,10MM		6	6	92210-0276
550	PB113842	PIN-COTTER,4.0X35		1	1	550AA4035
601	PB113837	BEARING-BALL,#6203UUC3		1	1	601B6203UU
601A	PB113841	BEARING-BALL,#6205G		1	1	601B6205G
601B	PB113838	BEARING-BALL,6303LLUC3/2ASU68		1	1	601B6303UU
671	PB131812	ORING		1	1	671B2550A

This catalog covers:

'10~'11 EX250 KAF/KBF Chassis

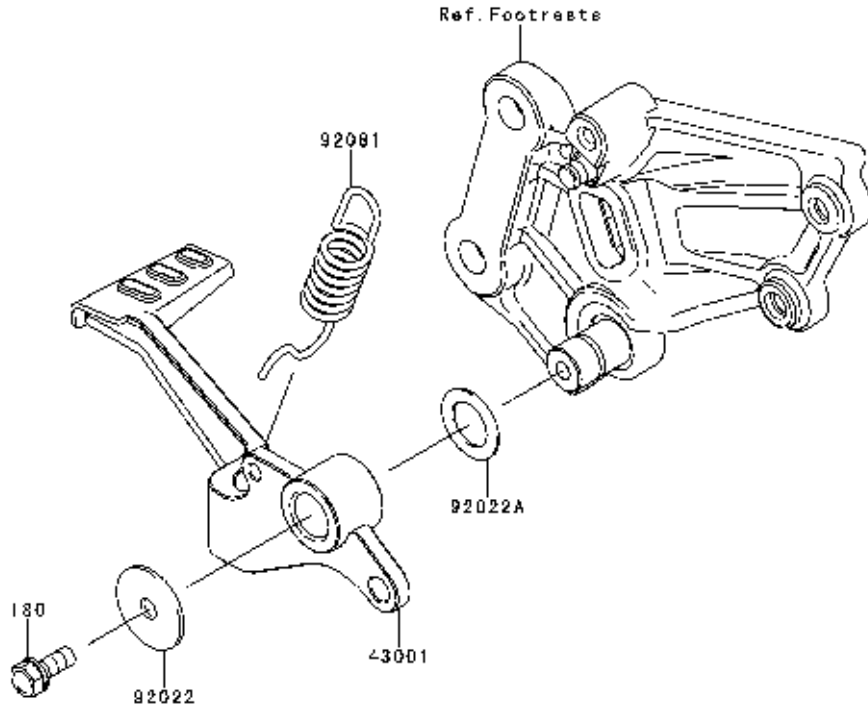
GRID NO.

E-3

This grid covers:

Brake Pedal

F2260



Ref. No.	BAL Part No.	Description	Spec Code	Quantity		KHI Ref. No.
				'10	'11	
				KAF	KBF	
43001	PB161000	LEVER-BRAKE,PEDAL		1	1	43001-0100
92022	PB113847	WASHER,7X28X1.6		1	1	92022-1282
92022A	PB113848	WASHER,15.3X24X1		1	1	92022-326
92081	PB161001	SPRING,BRAKEPEDAL		1	1	92081-1833
180	PB113846	BOLT-UPSET-WS,6X16		1	1	180BA0616

This catalog covers:

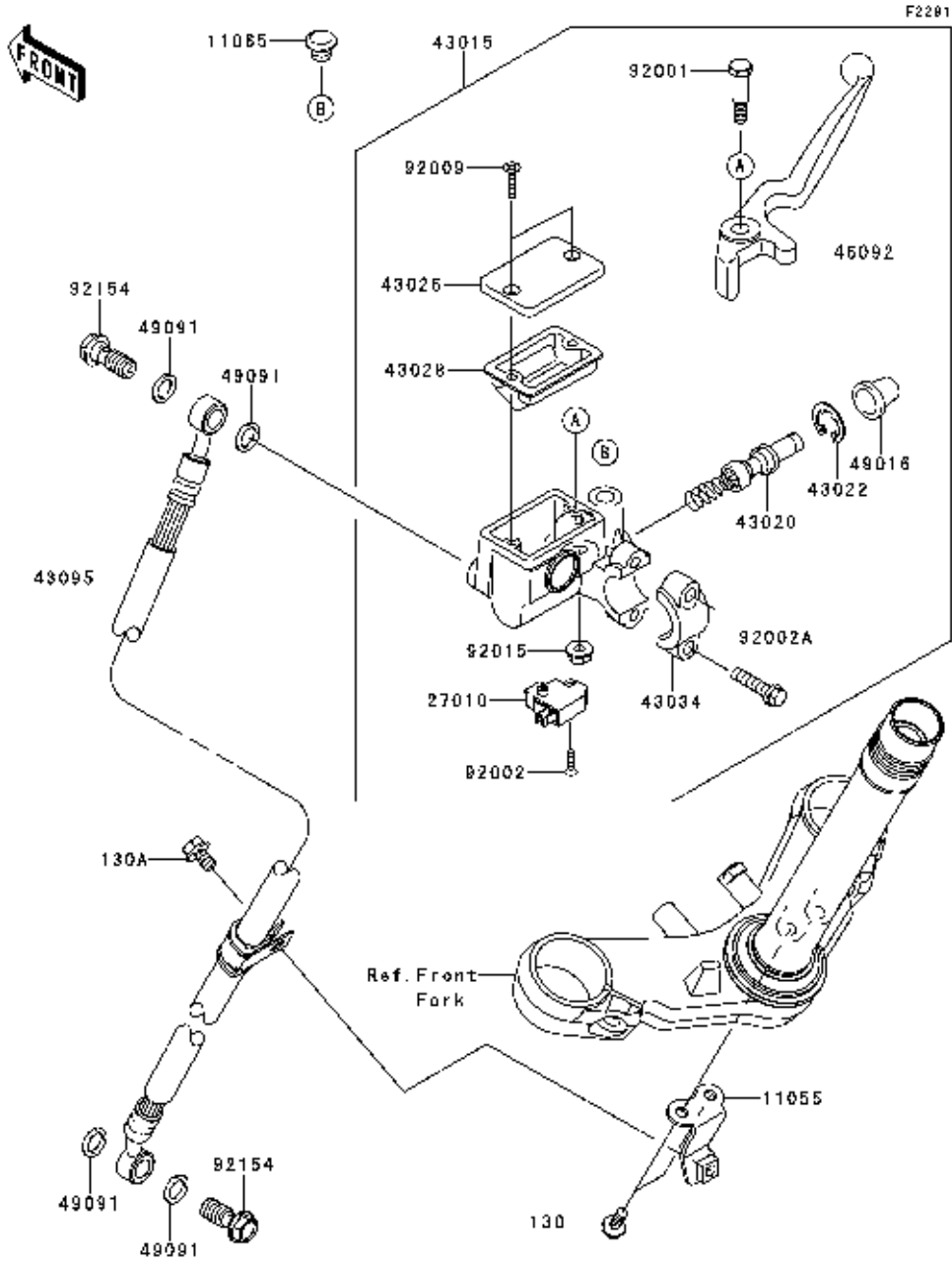
'10~'11 EX250 KAF/KBF Chassis

GRID NO.

E-4

This grid covers:

Front Master Cylinder



Ref. No.	BAL Part No.	Description	Spec Code	Quantity		KHI Ref. No.
				'10	'11	
				KAF	KBF	
11055	PB131834	BRACKET,BRAKEHOSECLAMP		1	1	11055-1417
11065	PB131821	CAP,DUMMY		1	1	11065-0218
27010	PB131837	SWITCH,BRAKE		1	1	27010-1170
43015	PB131836	CYLINDER-ASSY-MASTER,FR		1	1	43015-0110
43020	PB131838	PISTON-COMP-BRAKE		1	1	43020-1095
43022	PB131839	STOPPER-BRAKE,PISTON		1	1	43022-1010
43026	PB131840	CAP-BRAKE		1	1	43026-1074
43028	PB131841	DIAPHRAGM		1	1	43028-1061
43034	PB131842	HOLDER-BRAKE,MASTERCYLINDER		1	1	43034-1016
43095	PB131835	HOSE-BRAKE,FR		1	1	43095-0450
46092	PB131843	LEVER-GRIP,FRONTBRAKE		1	1	46092-0028
49016	PB131844	COVER-SEAL,MASTERCYLINDER		1	1	49016-1044
49091	PB113911	WASHER-SEAL,10.1X14.5X1.5		4	4	49091-0001
92001	PB113913	BOLT,FRONTBRAKELEVER		1	1	92001-1728
92002	PB113914	BOLT,SCREW,4X12		1	1	92002-1323
92002A	PB113915	BOLT		2	2	92002-1894
92009	PB113916	SCREW,4MM		2	2	92009-1458
92015	PB113856	NUT,FLANGED,6MM,BLACK		1	1	92015-1233
92154	PB113912	BOLT,OIL,L=23		2	2	92154-0226
130	PB113909	BOLT-FLANGED,5X12		2	2	130BB0512
130A	PB113910	BOLT-FLANGED,6X10		1	1	130BB0610

This catalog covers:

'10~'11 EX250 KAF/KBF Chassis

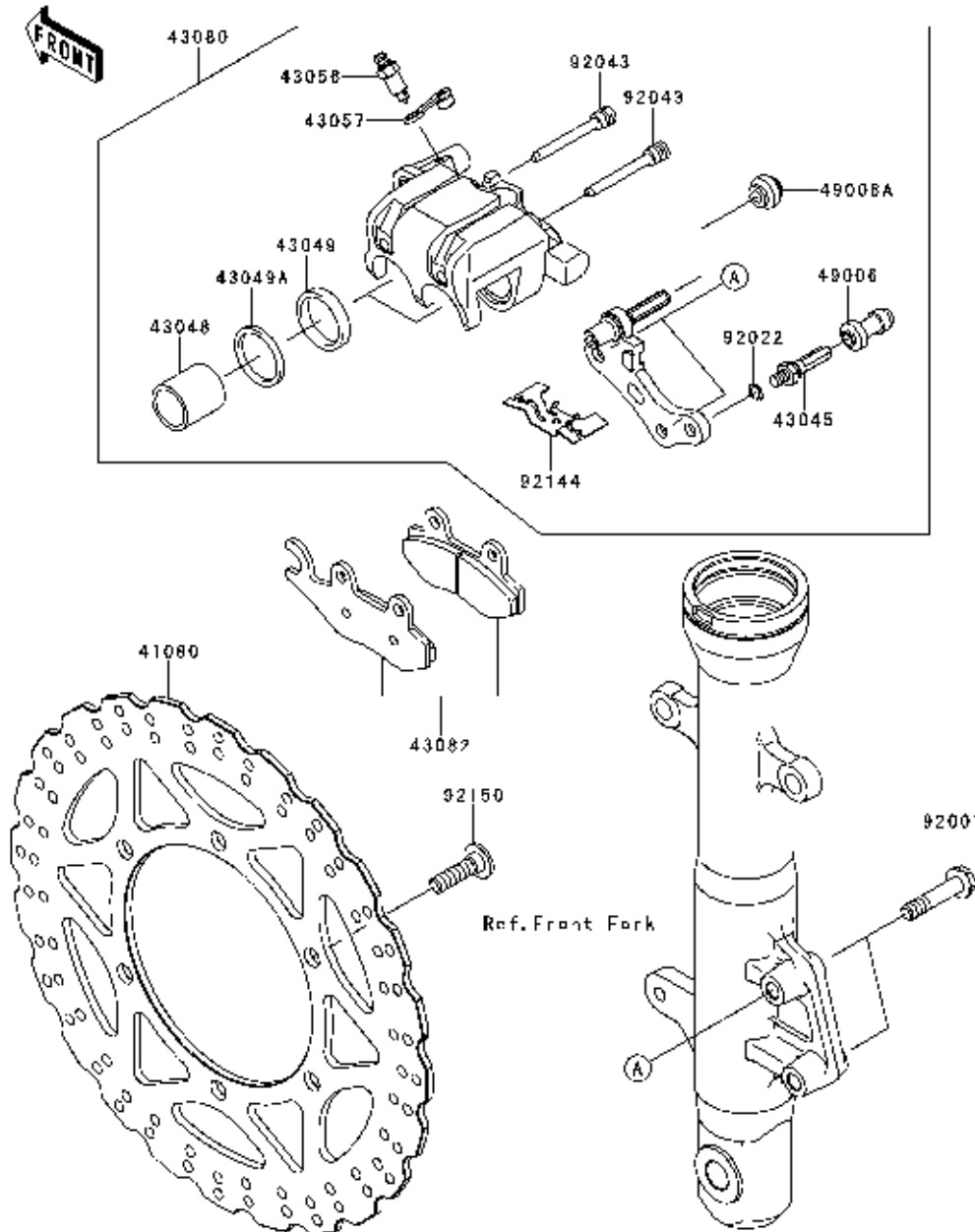
GRID NO.

E-5

This grid covers:

Front Brake(KAF)

F2282



Ref. No.	BAL Part No.	Description	Spec Code	Quantity		KHI Ref. No.
				'10	'11	
				KAF	KBF	
41080	PB131822	DISC,FR,BLACK		1		41080-0113-11H
43045	PB131824	SHAFT-CALIPER		1		43045-1010
43048	PB131825	PISTON-CALIPER		2		43048-1068
43049	PB131826	PACKING,PISTONSEAL		2		43049-1060
43049A	PB131827	PACKING,PISTONSEAL		2		43049-1061
43056	PB131828	BREATHER-BRAKE		1		43056-0004
43057	PB131829	CAP-BREATHER		1		43057-1001
43080	PB131823	CALIPER-SUB-ASSY,FR,RH,SILVER		1		43080-0062-GN
43082	PB131833	PAD-ASSY-BRAKE		1		43082-0081
49006	PB131830	BOOT,CALIPER		1		49006-1088
49006A	PB131831	BOOT,CALIPER		1		49006-1242
92001	PB113907	BOLT,FLANGED,8X36		2		92001-1041
92022	PB113905	WASHER,WAVE		1		92022-1373
92043	PB113906	PIN,HANGER		2		92043-1416
92144	PB131832	SPRING,PAD		1		92144-1847
92150	PB113908	BOLT,SOCKET,8X30		6		92150-1771

This catalog covers:

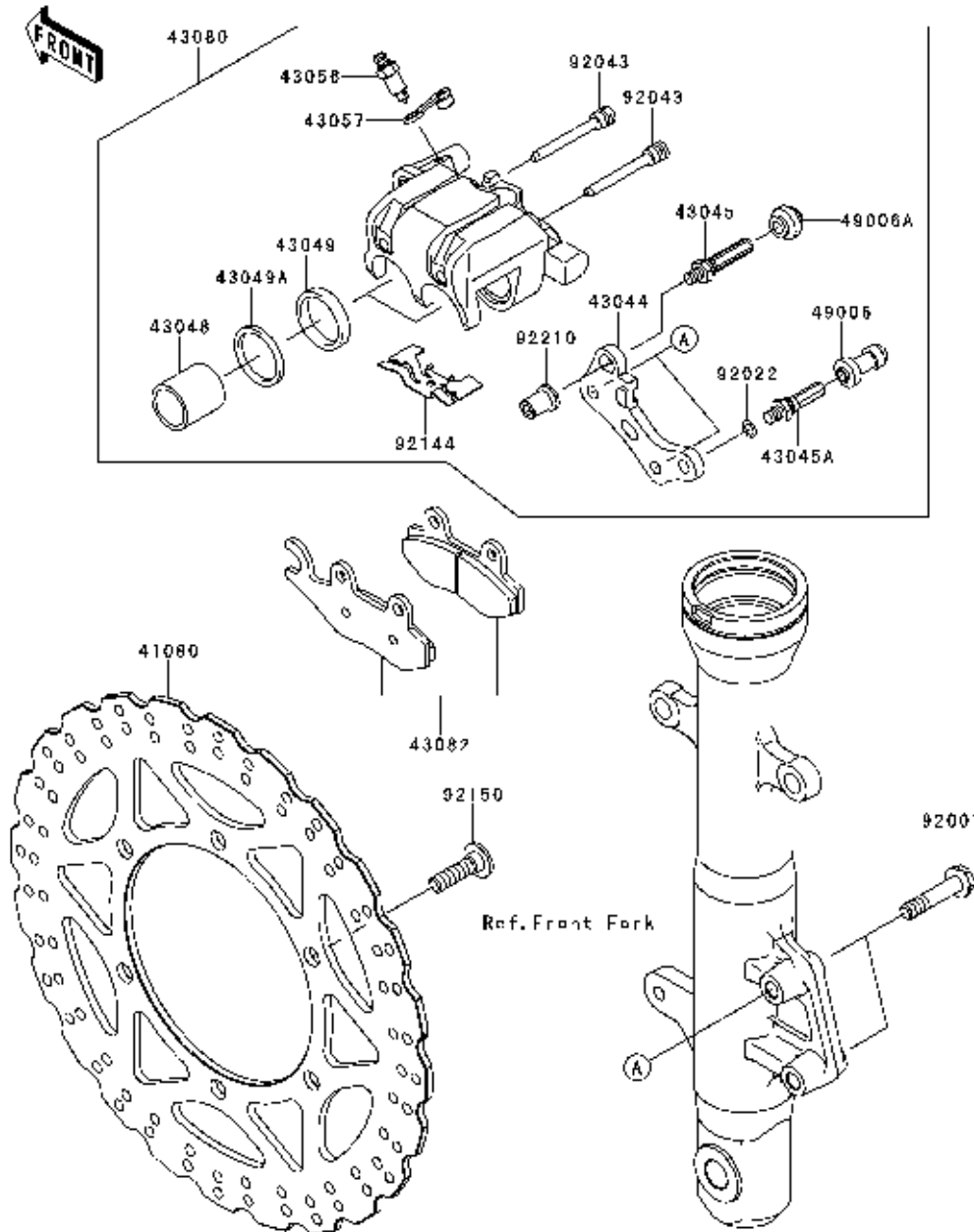
'10~'11 EX250 KAF/KBF Chassis

GRID NO.

E-6

This grid covers:

Front Brake(KBF)



F22020

Ref. No.	BAL Part No.	Description	Spec Code	Quantity		KHI Ref. No.
				'10	'11	
				KAF	KBF	
41080	PB131822	DISC,FR,BLACK		1		41080-0113-11H
43044	PB131871	HOLDER-COMP-CALIPER		1		43044-1112
43045	PB131872	SHAFT-CALIPER		1		43045-0005
43045A	PB131824	SHAFT-CALIPER		1		43045-1010
43048	PB131825	PISTON-CALIPER		2		43048-1068
43049	PB131826	PACKING,PISTONSEAL		2		43049-1060
43049A	PB131827	PACKING,PISTONSEAL		2		43049-1061
43056	PB131828	BREATHER-BRAKE		1		43056-0004
43057	PB131829	CAP-BREATHER		1		43057-1001
43080	PB131873	CALIPER-SUB-ASSY,FR,SILVER		1		43080-0093-GN
43082	PB131833	PAD-ASSY-BRAKE		1		43082-0081
49006	PB131830	BOOT,CALIPER		1		49006-1088
49006A	PB131831	BOOT,CALIPER		1		49006-1242
92001	PB113907	BOLT,FLANGED,8X36		2		92001-1041
92022	PB113905	WASHER,WAVE		1		92022-1373
92043	PB113906	PIN,HANGER		2		92043-1416
92144	PB131832	SPRING,PAD		1		92144-1847
92150	PB113908	BOLT,SOCKET,8X30		6		92150-1771
92210	PB131874	NUT		1		92210-0626

This catalog covers:

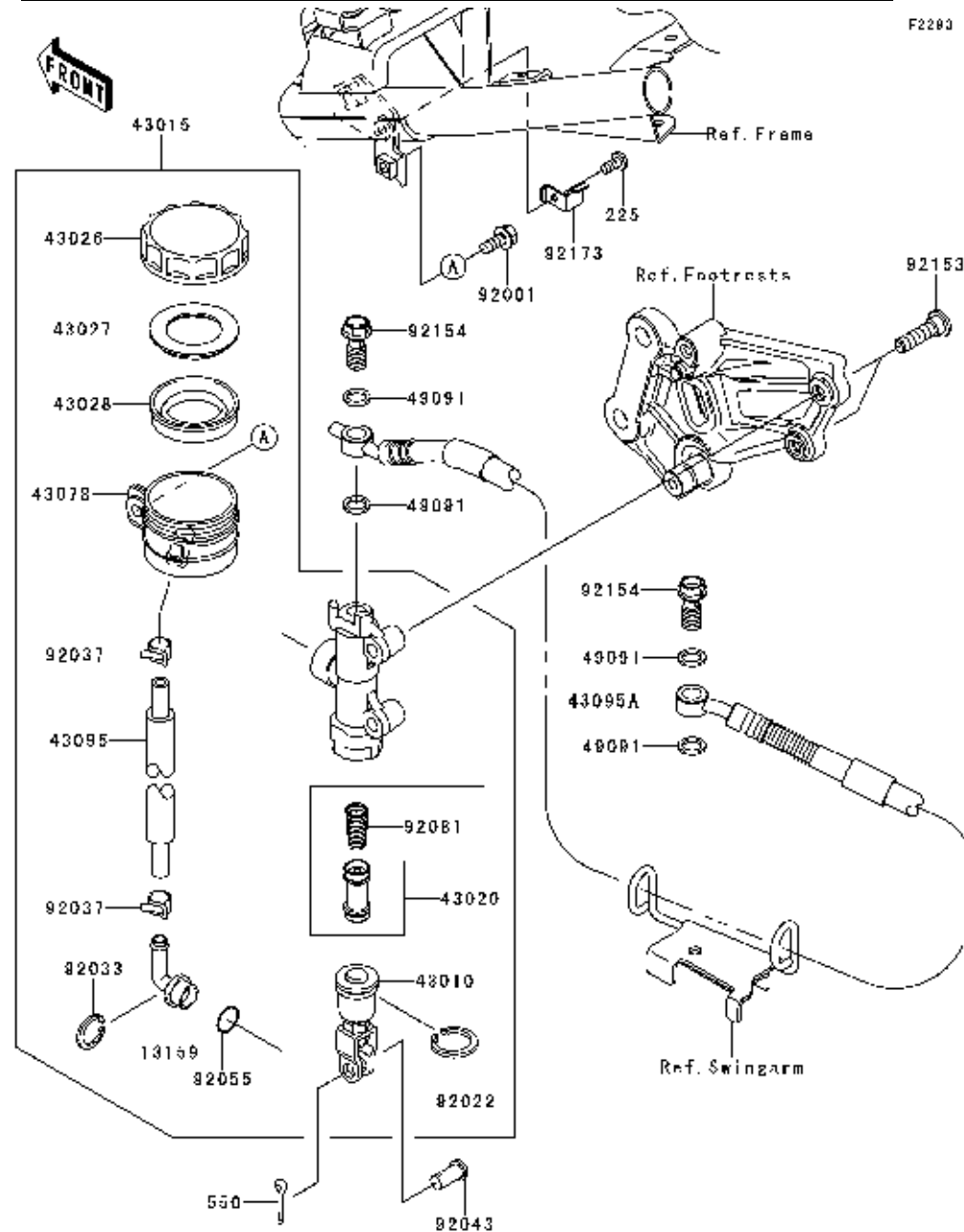
'10~'11 EX250 KAF/KBF Chassis

GRID NO.

E-7

This grid covers:

Rear Master Cylinder



F2283

Ref. No.	BAL Part No.	Description	Spec Code	Quantity		KHI Ref. No.
				'10	'11	
				KAF	KBF	
13159	PB131846	CONNECTOR,RRMASTERCYLINDER		1	1	13159-1052
43010	PB131847	ROD-ASSY-BRAKE		1	1	43010-1055
43015	PB131845	CYLINDER-ASSY-MASTER,RR		1	1	43015-0091
43020	PB131848	PISTON-COMP-BRAKE		1	1	43020-1057
43026	PB131850	CAP-BRAKE		1	1	43026-1051
43027	PB131851	PLATE-DIAPHRAGM		1	1	43027-1051
43028	PB131852	DIAPHRAGM,MASTERCYLINDER		1	1	43028-1057
43078	PB131853	RESERVOIR,RRMASTERCYLINDER		1	1	43078-1165
43095	PB131854	HOSE-BRAKE,RRMASTERCYLINDER		1	1	43095-0379
43095A	PB131863	HOSE-BRAKE,RR		1	1	43095-0440
49091	PB113911	WASHER-SEAL,10.1X14.5X1.5		4	4	49091-0001
92001	PB113922	BOLT,W/P,6X16		1	1	92001-1860
92022	PB113918	WASHER,CIRCRIP		1	1	92022-1601
92033	PB113919	RING-SNAP,20.5MM		1	1	92033-1186
92037	PB131855	CLAMP,BRAKEHOSE		2	2	92037-1547
92043	PB113923	PIN,8X17		1	1	92043-0104
92055	PB113920	RING-O,MASTERCYLINDER		1	1	92055-1251
92081	PB131849	SPRING,MASTERCYLINDER		1	1	92081-1737
92153	PB113924	BOLT,SOCKET,8X30		2	2	92153-1624
92154	PB113912	BOLT,OIL,L=23		2	2	92154-0226
92173	PB131856	CLAMP,RESERVOIRTANKCAP		1	1	92173-0028
225	PB113917	SCREW-PAN-WSP-CROS,4X12		1	1	225AB0412
550	PB113921	PIN-COTTER,2.0X15		1	1	550AA2015

This catalog covers:

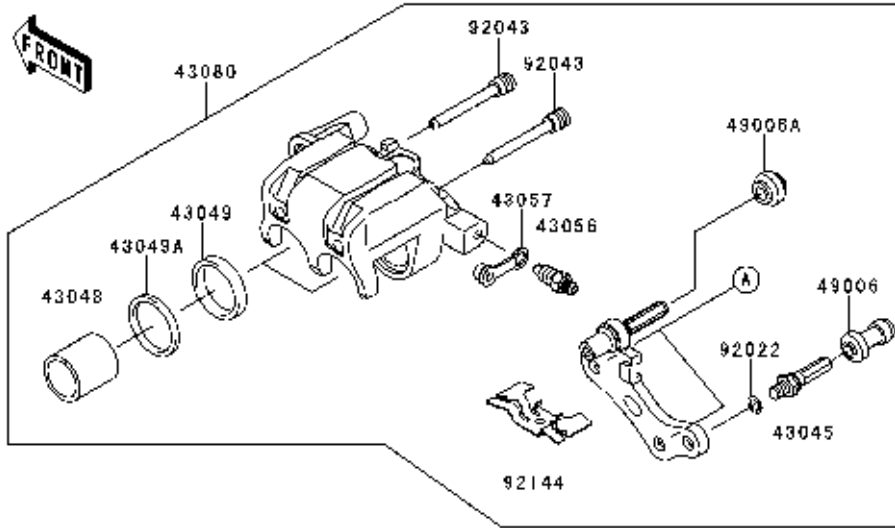
'10~'11 EX250 KAF/KBF Chassis

GRID NO.

E-8

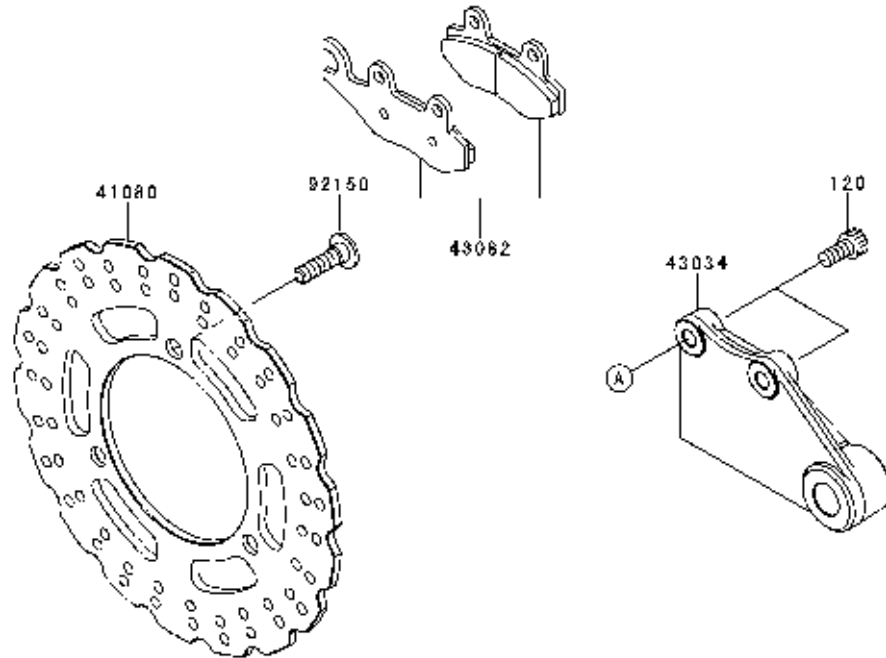
This grid covers:

Rear Brake(KAF)



F2284

Ref. No.	BAL Part No.	Description	Spec Code	Quantity		KHI Ref. No.
				'10	'11	
				KAF	KBF	
41080	PB131857	DISC,RR,BLACK		1		41080-0114-11H
43034	PB131858	HOLDER-BRAKE,REARCALIPER,BLK		1		43034-0021-18R
43045	PB131824	SHAFT-CALIPER		1		43045-1010
43048	PB131860	PISTON-CALIPER		2		43048-1066
43049	PB131861	PACKING		2		43049-1063
43049A	PB131862	PACKING		2		43049-1064
43056	PB131828	BREATHER-BRAKE		1		43056-0004
43057	PB131829	CAP-BREATHER		1		43057-1001
43080	PB131859	CALIPER-SUB-ASSY,RR,SILVER		1		43080-0063-GN
43082	PB131833	PAD-ASSY-BRAKE		1		43082-0081
49006	PB131830	BOOT,CALIPER		1		49006-1088
49006A	PB131831	BOOT,CALIPER		1		49006-1242
92022	PB113905	WASHER,WAVE		1		92022-1373
92043	PB113906	PIN,HANGER		2		92043-1416
92144	PB131832	SPRING,PAD		1		92144-1847
92150	PB113908	BOLT,SOCKET,8X30		3		92150-1771
120	PB113925	BOLT-SOCKET,8X16		2		120CA0816



This catalog covers:

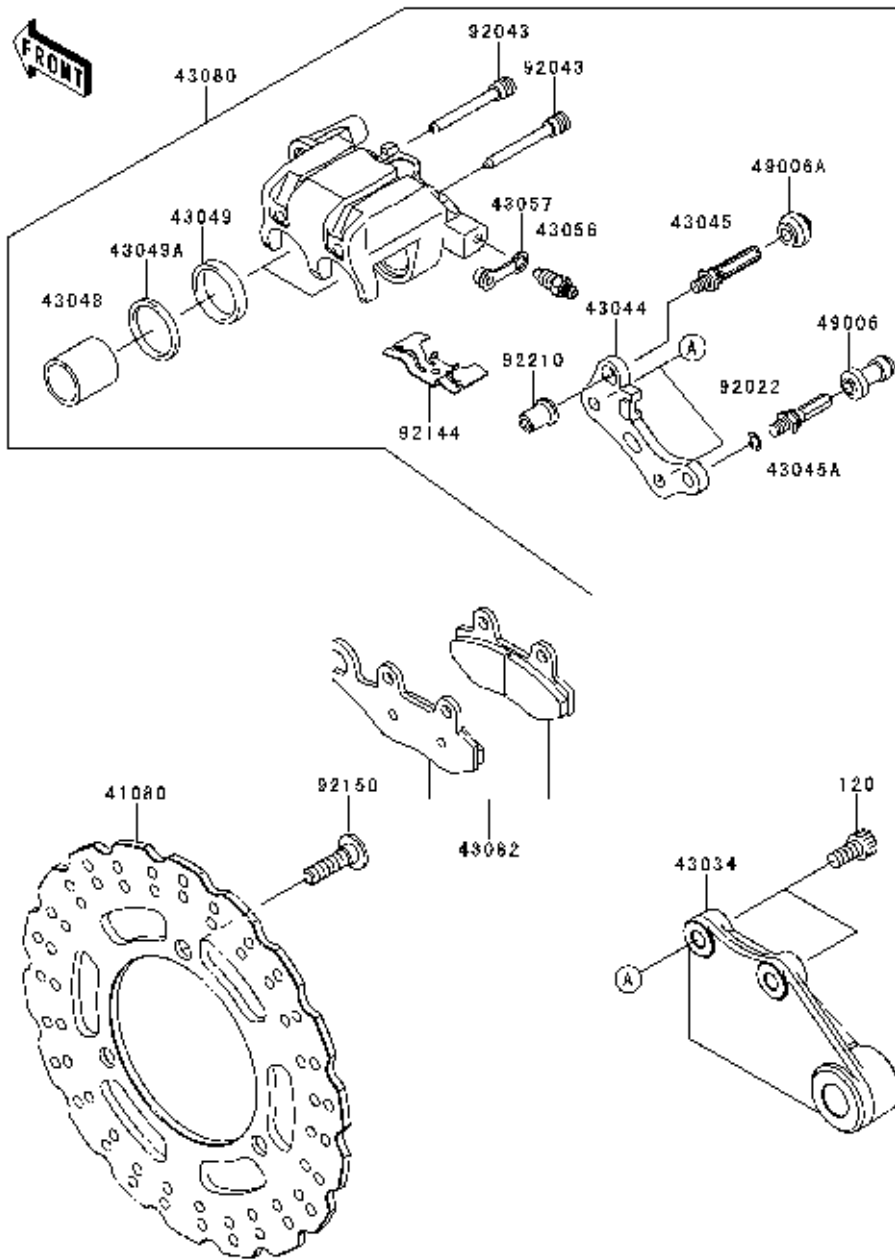
'10~'11 EX250 KAF/KBF Chassis

GRID NO.

E-9

This grid covers:

Rear Brake(KBF)



F22846

Ref. No.	BAL Part No.	Description	Spec Code	Quantity		KHI Ref. No.
				'10	'11	
				KAF	KBF	
41080	PB131857	DISC,RR,BLACK		1		41080-0114-11H
43034	PB131858	HOLDER-BRAKE,REARCALIPER,BLK		1		43034-0021-18R
43044	PB131871	HOLDER-COMP-CALIPER		1		43044-1112
43045	PB131872	SHAFT-CALIPER		1		43045-0005
43045A	PB131875	SHAFT-CALIPER		1		43045-1010
43048	PB131860	PISTON-CALIPER		2		43048-1066
43049	PB131861	PACKING		2		43049-1063
43049A	PB131862	PACKING		2		43049-1064
43056	PB131828	BREATHER-BRAKE		1		43056-0004
43057	PB131829	CAP-BREATHER		1		43057-1001
43080	PB131876	CALIPER-SUB-ASSY,RR,SILVER		1		43080-0094-GN
43082	PB131833	PAD-ASSY-BRAKE		1		43082-0081
49006	PB131830	BOOT,CALIPER		1		49006-1088
49006A	PB131831	BOOT,CALIPER		1		49006-1242
92022	PB113905	WASHER,WAVE		1		92022-1373
92043	PB113906	PIN,HANGER		2		92043-1416
92144	PB131832	SPRING,PAD		1		92144-1847
92150	PB113908	BOLT,SOCKET,8X30		3		92150-1771
92210	PB131877	NUT		1		92210-0626
120	PB113925	BOLT-SOCKET,8X16		2		120CA0816

This catalog covers:

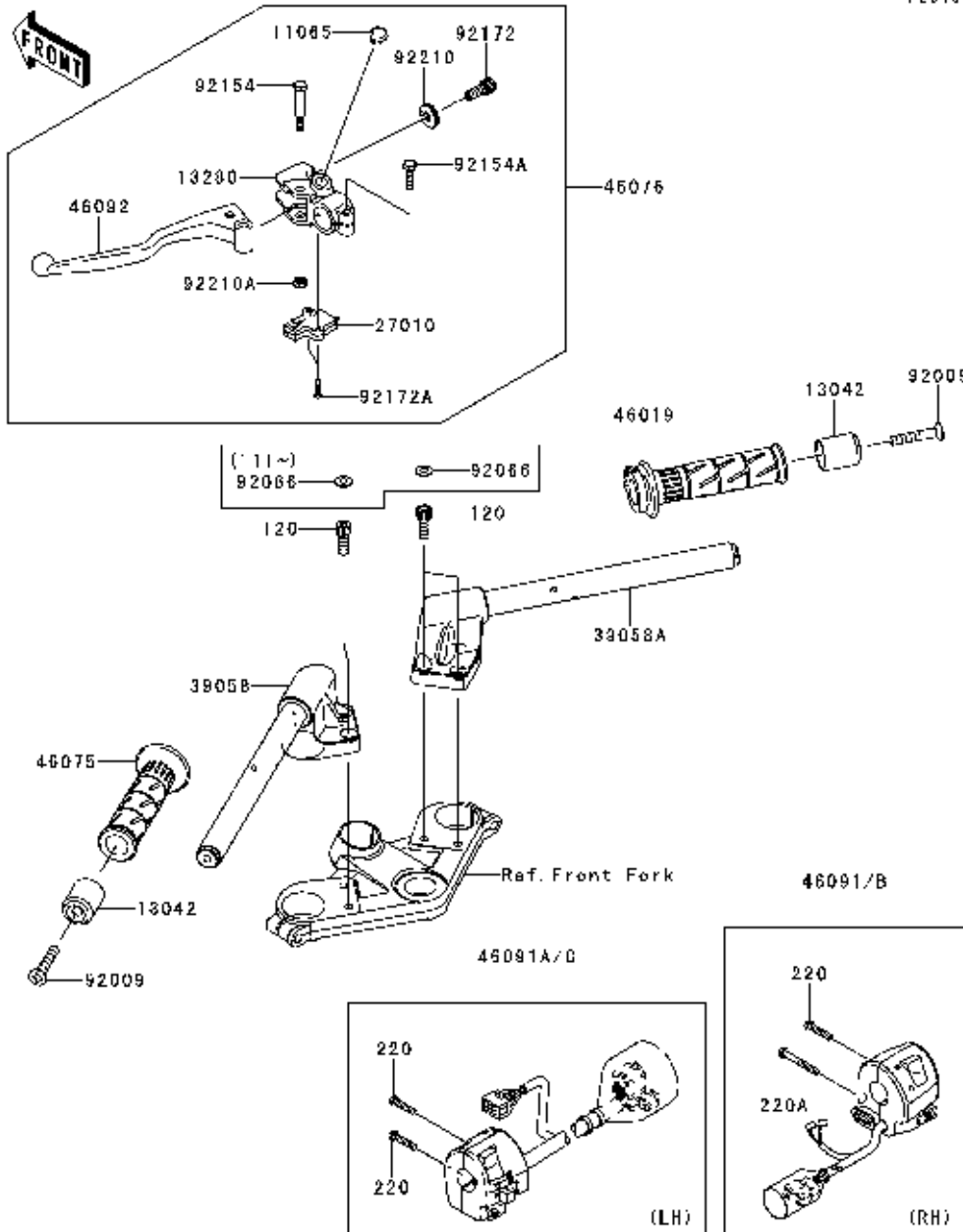
'10~'11 EX250 KAF/KBF Chassis

GRID NO.

E-10

This grid covers:

Handlebar



Ref. No.	BAL Part No.	Description	Spec Code	Quantity		KHI Ref. No.
				'10	'11	
				KAF	KBF	
11065	PB131821	CAP,DUMMY		1	1	11065-0218
13042	PB151000	WEIGHT,HANDLE		2	2	13042-0032
13280	PB161007	HOLDER,CLUTCHLEVER		1	1	13280-0295
27010	PB161006	SWITCH,CLUTCH,BLACK		1	1	27010-1094
39058	PB151001	HANDLE-COMP,LH,BLACK		1	1	39058-0007-18R
39058A	PB151002	HANDLE-COMP,RH,BLACK		1	1	39058-0008-18R
46019	PB161002	GRIP-ASSY,THROTTLE		1	1	46019-0001
46075	PB161004	GRIP,LH		1	1	46075-1144
46076	PB161005	LEVER-ASSY-GRIP,CLUTCH		1	1	46076-0058
46091	PB161003	HOUSING-ASSY-CONTROL,RH		1		46091-0157
46091A	PB161009	HOUSING-ASSY-CONTROL,LH			1	46091-0158
46091B	PB401406	HOUSING-ASSY-CONTROL,RH		1		46091-0205
46091C	PB401407	HOUSING-ASSY-CONTROL,LH			1	46091-0207
46092	PB161008	LEVER-GRIP,CLUTCH		1	1	46092-0030
92009	PB113927	SCREW,8X45		2	2	92009-1257
92066	PB151004	PLUG		4		92066-1216
92154	PB113928	BOLT,CLUTCHLEVER		1	1	92154-0066
92154A	PB113929	BOLT		1	1	92154-0067
92172	PB113930	SCREW,CABLEADJUST,8MM		1	1	92172-0376
92172A	PB113933	SCREW,3X16		2	2	92172-0397
92210	PB113931	NUT,CABLEADJUST,LOCK,8MM		1	1	92210-0479
92210A	PB113932	NUT,LOCK,6MM		1	1	92210-0480
120	PB113926	BOLT-SOCKET,8X22		4	4	120CB0822
220	PB114105	SCREW-PAN-CROS,5X25		3	3	220AB0525
220A	PB114106	SCREW-PAN-CROSS,5X40		1	1	220AB0540

This catalog covers:

'10~'11 EX250 KAF/KBF Chassis

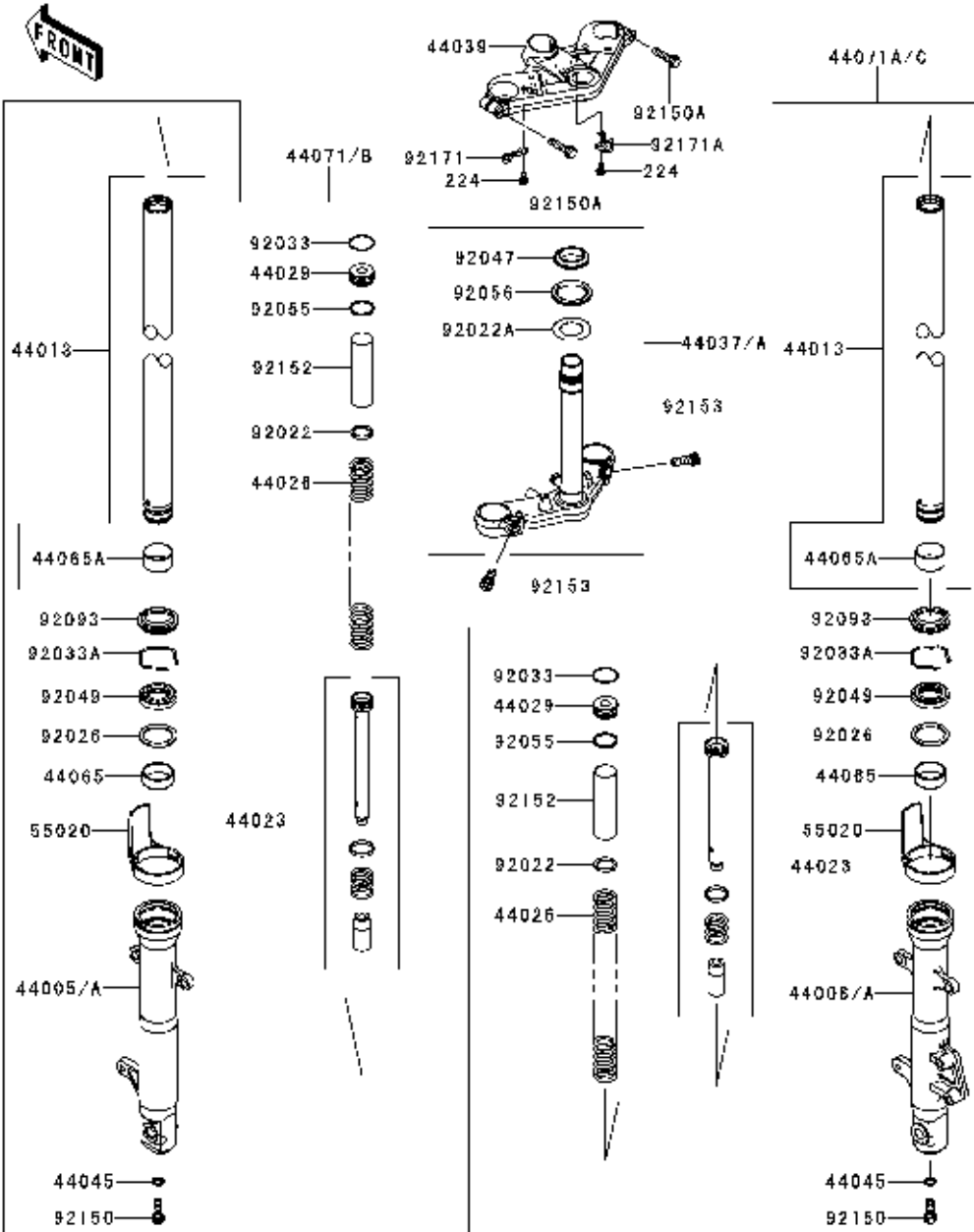
GRID NO.

E-11

This grid covers:

Front Fork

F2340



Ref. No.	BAL Part No.	Description	Spec Code	Quantity		KHI Ref. No.
				'10	'11	
				KAF	KBF	
44005	PB121005	PIPE-LEFTFORKOUTER,BLACK1		1		44005-0062-18R
44005A	PB121028	PIPE-LEFTFORKOUTER,F.S.BLACK		1	1	44005-0080-18R
44006	PB121019	PIPE-RIGHTFORKOUTER,BLACK		1		44006-0058-18R
44006A	PB121029	PIPE-RIGHTFORKOUTER,BLACK		1	1	44006-0076-18R
44013	PB121006	PIPE-FORKINNER		2	2	44013-0117
44023	PB121008	CYLINDER-SET-FORK		2	2	44023-0067
44026	PB121009	SPRING-FRONTFORK		2	2	44026-0126
44029	PB121010	SEAT-FORKSPRING		2	2	44029-1127
44037	PB121020	HOLDER-FORKUNDER,BLACK		1		44037-0088-18R
44037A	PB121030	HOLDER-FORKUNDER,F.BLACK		1	1	44037-0112-21
44039	PB121023	HOLDER-FORKUPPER,BLACK		1	1	44039-0056-18R
44045	PB121011	GASKET,FORKCYLINDERBOLT		2	2	44045-051
44065	PB121012	BUSHING-FRONTFORK		2	2	44065-1109
44065A	PB121007	BUSHING-FRONTFORK,INNERPIPE		2	2	44065-1110
44071	PB121004	DAMPER-ASSY,FORK,LH,BLACK		1		44071-0453-18R
44071A	PB121018	DAMPER-ASSY,FORK,RH,BLACK		1		44071-0454-18R
44071B	PB121031	DAMPER-ASSY,FORK,LH,F.S.BLACK		1	1	44071-0686-18R
44071C	PB121032	DAMPER-ASSY,FORK,RH,F.S.BLACK		1		44071-0687-18R
55020	PB121013	GUARD,INNERTUBE		2	2	55020-0329
92022	PB113935	WASHER		2	2	92022-1879
92022A	PB113940	WASHER,30.5X50X0.6		1	1	92022-231
92026	PB121014	SPACER,FORK		2	2	92026-1443
92033	PB113936	RING-SNAP		2	2	92033-1236
92033A	PB113937	RING-SNAP		2	2	92033-1286
92047	PB121021	RACE,STEERINGSTEMBEARING		1	1	92047-012
92049	PB121015	SEAL-OIL,FORKOUTER		2	2	92049-1421
92055	PB113938	RING-O,FORKSPRINGSEAT		2	2	92055-1384
92056	PB121022	SEAL-OIL,STEERINGSTEM		1	1	92056-003
92093	PB121016	SEAL,FORKOUTER		2	2	92093-1367
92150	PB113939	BOLT,SOCKET,8X18		2	2	92150-1432
92150A	PB113942	BOLT		2	2	92150-1610
92152	PB121017	COLLAR,FORK,L=100		2	2	92152-0719
92153	PB113941	BOLT,SOCKET,10X25		2	2	92153-0301
92171	PB121024	CLAMP,LH		1	1	92171-1857
92171A	PB121025	CLAMP,RH		1	1	92171-1947
224	PB113934	SCREW-PAN-WP-CROS,6X12		2	2	224AB0612

This catalog covers:

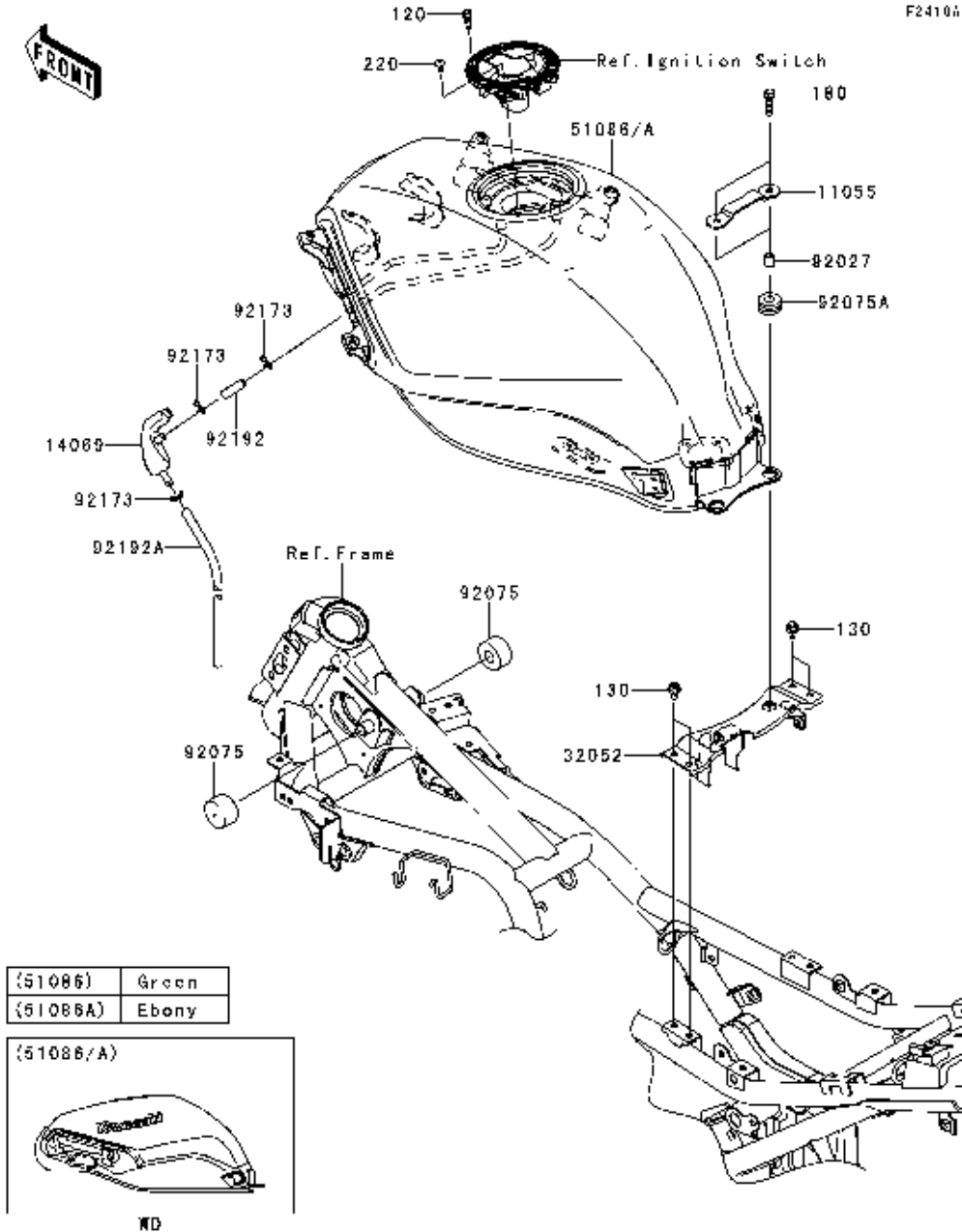
'10~'11 EX250 KAF/KBF Chassis

GRID NO.

E-13

This grid covers:

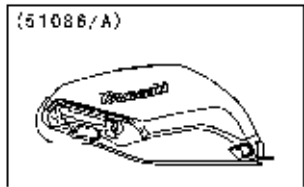
Fuel Tank(KBF)



F24106

Ref. No.	BAL Part No.	Description	Spec Code	Quantity		KHI Ref. No.
				'10	'11	
				KAF	KBF	
11055	PB171000	BRACKET		1	1	11055-0897
14069	PB171603	BREATHER		1	1	14069-0011
32052	PB171001	BRACKET-TANK,RR		1	1	32052-0083
51086	PB171005	TANK-COMP-FUEL,L.GREEN		1		51086-5015-777
51086	PB171009	TANK-COMP-FUEL,L.GREEN			1	51086-5479-777
51086A	PB171006	TANK-COMP-FUEL,EBONY		1		51086-5018-H8
51086A	PB171010	TANK-COMP-FUEL,EBONY			1	51086-5480-H8
92027	PB171002	COLLAR,6.8X10X11.5		2	2	92027-1210
92075	PB171003	DAMPER,FUELTANK,FR		2	2	92075-1115
92075A	PB171004	DAMPER		2	2	92075-1690
92173	PB171600	CLAMP		1	3	92173-0049
92192	PB171601	TUBE		1		92192-0671
92192	PB171800	TUBE,5X9X26			1	92192-0910
92192A	PB171801	TUBE,5X9X870			1	92192-0919
120	PB113855	BOLT-SOCKET,5X16		6	6	120CB0516
130	PB183853	BOLT-FLANGED,6X10		4	4	130BA0610
180	PB113854	BOLT-UPSET-WS,6X25		2	2	180BB0625
220	PB113852	SCREW-PAN-CROSS,5X8		1	1	220AB0508

(51086)	Green
(51086A)	Ebony



WD

This catalog covers:

'10~'11 EX250 KAF/KBF Chassis

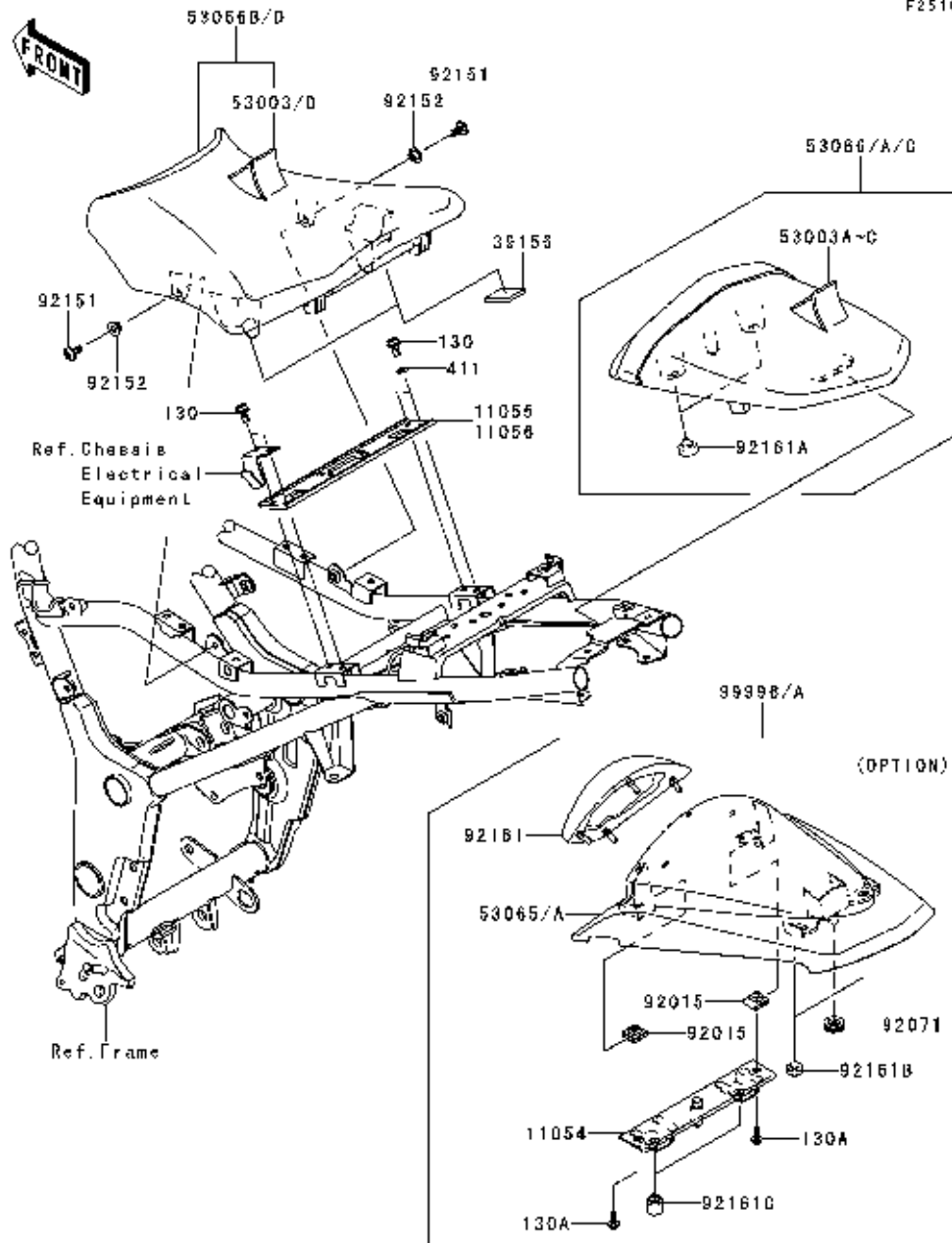
GRID NO.

E-14

This grid covers:

Seat(1/2)

F2510



Ref. No.	BAL Part No.	Description	Spec Code	Quantity		KHI Ref. No.
				'10	'11	
				KAF	KBF	
11054	PB191009 (OPTION)	BRACKET,SEATCOVER		1	1	11054-1918
11055	PB191005	BRACKET,FRONTSEAT		1		11055-0358
11056	PB114136	BRACKET,FRSEAT		1		11056-0117
39156	PB191006	PAD,RUBBERSPONGE		2	2	39156-0538
53003	PB191008	LEATHER,FRONTSEAT,BLACK		1	1	53003-0109-MA
53003A	PB191003	LEATHER,REARSEAT,BLACK		1	1	53003-0132-MA
53003B	PB191002	LEATHER,REARSEAT,L.GREEN		1		53003-0132-337
53065	PB191011 (OPTION)	COVERSEAT,EBONY		1	1	53065-0018-H8
53065A	PB191010 (OPTION)	COVERSEAT,L.GREEN		1	1	53065-0018-777
53066	PB191000	SEAT,RR,LEATHERBLK+BANDBLK		1		53066-0212-12Y
53066A	PB191001	SEAT-ASSY,RR,W/BAND,GREEN		1		53066-0212-13K
53066B	PB191007	SEAT-ASSY,FR,BLACK		1		53066-0227-MA
53066C	PB191013	SEAT,RR,LEATHERBLK+BANDBLK		1		53066-0276-12Y
53066D	Pb191014	SEAT-ASSY,FR,BLACK		1		53066-0277-MA
92015	PB113860 (OPTION)	NUT,CLAMP,6MM		2	2	92015-1531
92071	PB113861 (OPTION)	GROMMET		1	1	92071-056
92151	PB113807	BOLT,SOCKET,6X14		2	2	92151-1654
92152	PB114137	COLLAR,6.8X10(16)X6.6		2	2	92152-0842
92161	PB191012 (OPTION)	DAMPER,SEATCOVER		1	1	92161-0525
92075A	PB114112	DAMPER		2	2	92075-1927
92075B	PB114112 (OPTION)	DAMPER		2	2	92075-1927
92161C	PB114111 (OPTION)	DAMPER		2	2	92161-0860
99996	Pb114123 (OPTION)	KIT,SINGLESEATCOVER,EBONY		1	1	99996-1360-H8
99996A	PB114122 (OPTION)	KIT,SINGLESEATCOVER,L.GREEN		1	1	99996-1360-777

This catalog covers:

'10~'11 EX250 KAF/KBF Chassis

GRID NO.

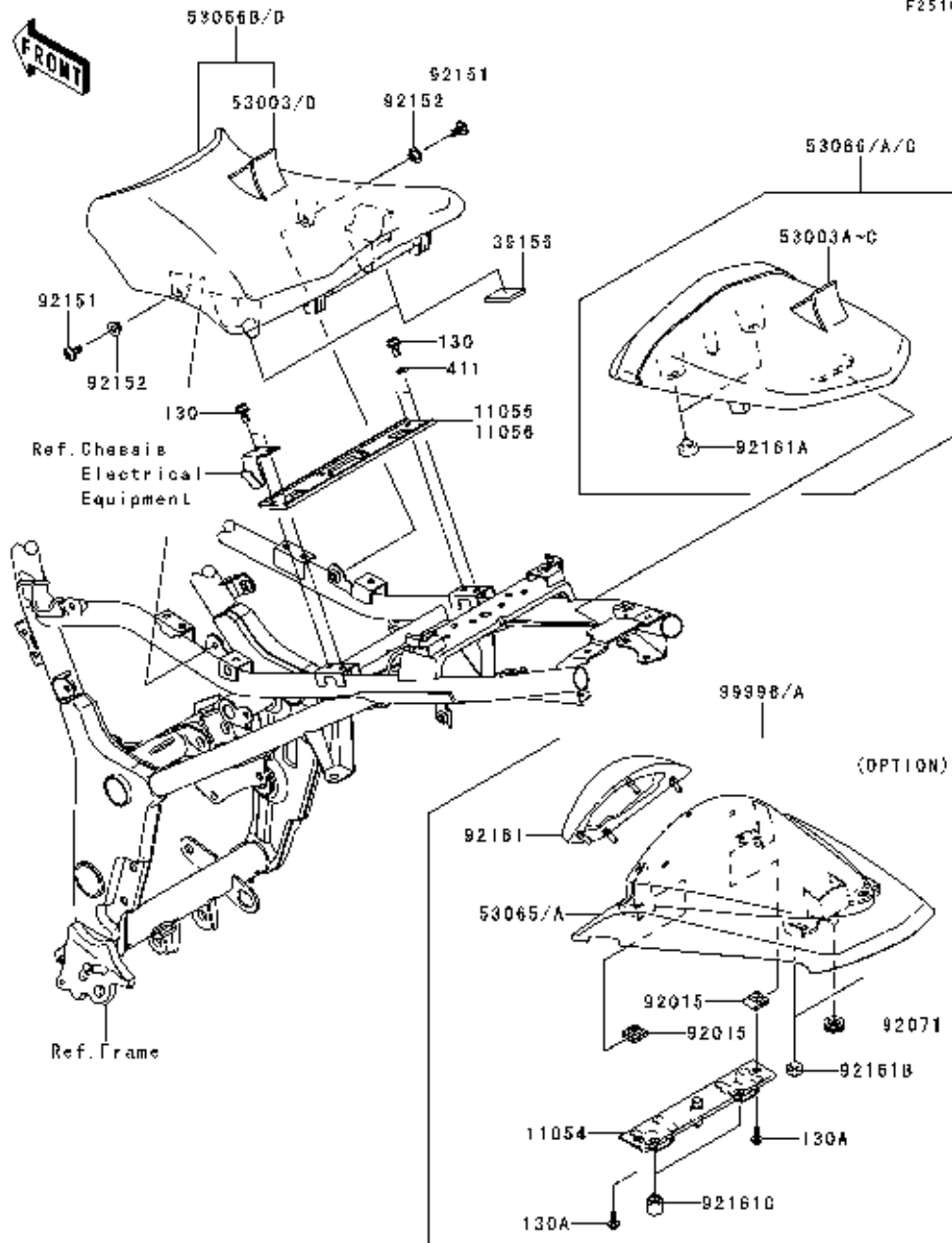
F-3

This grid covers:

Seat(2/2)

F2510

Ref. No.	BAL Part No.	Description	Spec Code	Quantity		KHI Ref. No.
				'10	'11	
130	PB113857	BOLT-FLANGED,6X12		4	4	130BA0612
130A	PB113859 (OPTION)	BOLT-FLANGED,6X16		2	2	130BB0616
411	PB113859	WASHER-PLAIN,6.5X13X1		2	2	411AA0600



This catalog covers:

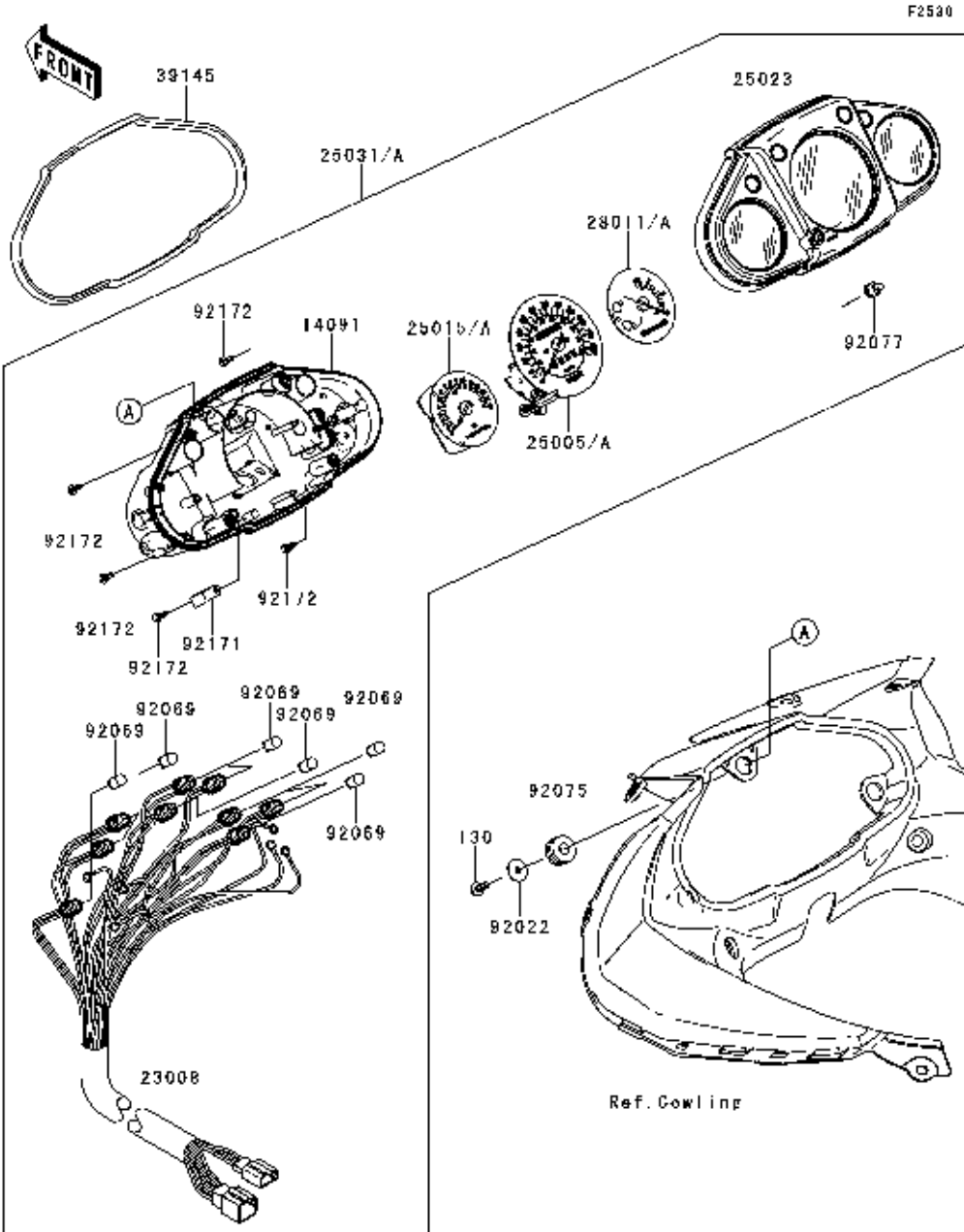
'10~'11 EX250 KAF/KBF Chassis

GRID NO.

F-4

This grid covers:

Meter(s)



Ref. No.	BAL Part No.	Description	Spec Code	Quantity		KHI Ref. No.
				'10	'11	
				KAF	KBF	
14091	PB402401	COVER,METERHOUSING		1	1	14091-0804
23008	PB402402	SOCKET-ASSY,METER		1	1	23008-0077
25005	PB402403	SPEEDOMETER,KPH		1		25005-0043
25005A	PB402412	SPEEDOMETER,KPH			1	25005-0088
25015	PB402404	TACHOMETER,X1000R/MIN		1		25015-0012
25015A	PB402413	TACHOMETER,X1000R/MIN			1	25015-0013
25023	PB402405	COVER-METERCASE,UPP		1	1	25023-0031
25031	PB402400	METER-ASSY,KPH		1		25031-0165
25031A	PB402414	METER-ASSY,KPH			1	25031-0361
28011	PB402407	METER,TEMP		1		28011-0094
28011A	PB402600	METER,TEMP&FUEL			1	28011-0178
39145	PB402410	TRIM-SEAL,L=640		1	1	39145-0039
92022	PB113945	WASHER,5.5X20X1.2		3	3	92022-104
92069	PB402408	BULB,12V3.4W,T10		9	9	92069-1007
92075	PB171004	DAMPER		3	3	92075-1690
92077	PB402406	KNOB,TRIPRESET		1	1	92077-0010
92171	PB402409	CLAMP		1	1	92171-1601
92172	PB113944	SCREW,TAPPING		5	5	92172-0340
130	PB113943	BOLT-FLANGED,5X14		3	3	130BA0514

This catalog covers:

'10~'11 EX250 KAF/KBF Chassis

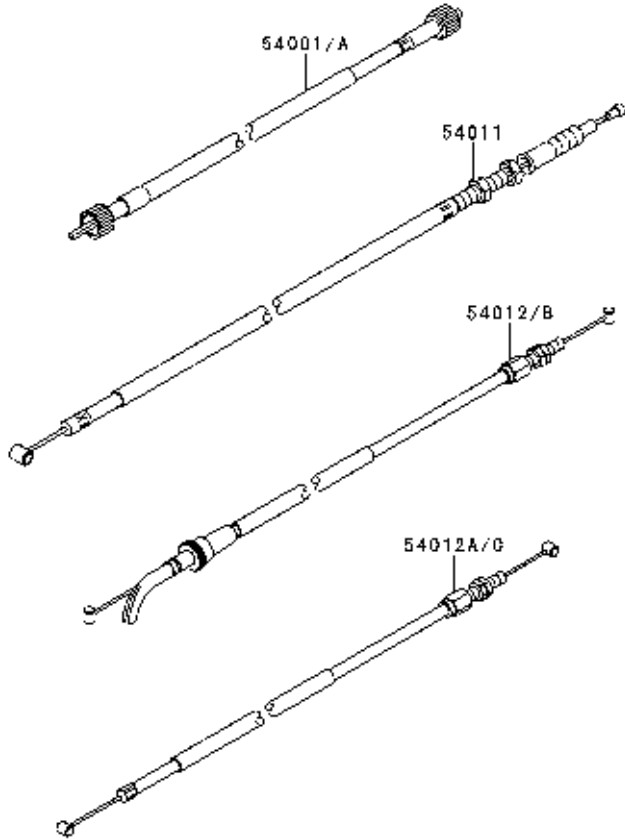
GRID NO.

F-5

This grid covers:

Cables

F2540



Ref. No.	BAL Part No.	Description	Spec Code	Quantity		KHI Ref. No.
				'10 KAF	'11 KBF	
54001	PB161200	CABLE-SPEEDMETER		1		54001-0014
54001A	PB161204	CABLE-SPEEDMETER			1	54001-0025
54011	PB161201	CABLE-CLUTCH		1	1	54011-0073
54012	PB161202	CABLE-THROTTLE,OPENING		1		54012-0218
54012A	PB161203	CABLE-THROTTLE,CLOSING		1		54012-0219
54012B	PB161205	CABLE-THROTTLE,OPENING			1	54012-0293
54012C	PB161206	CABLE-THROTTLE,CLOSING			1	54012-0294

This catalog covers:

'10~'11 EX250 KAF/KBF Chassis

GRID NO.

F-7

This grid covers:

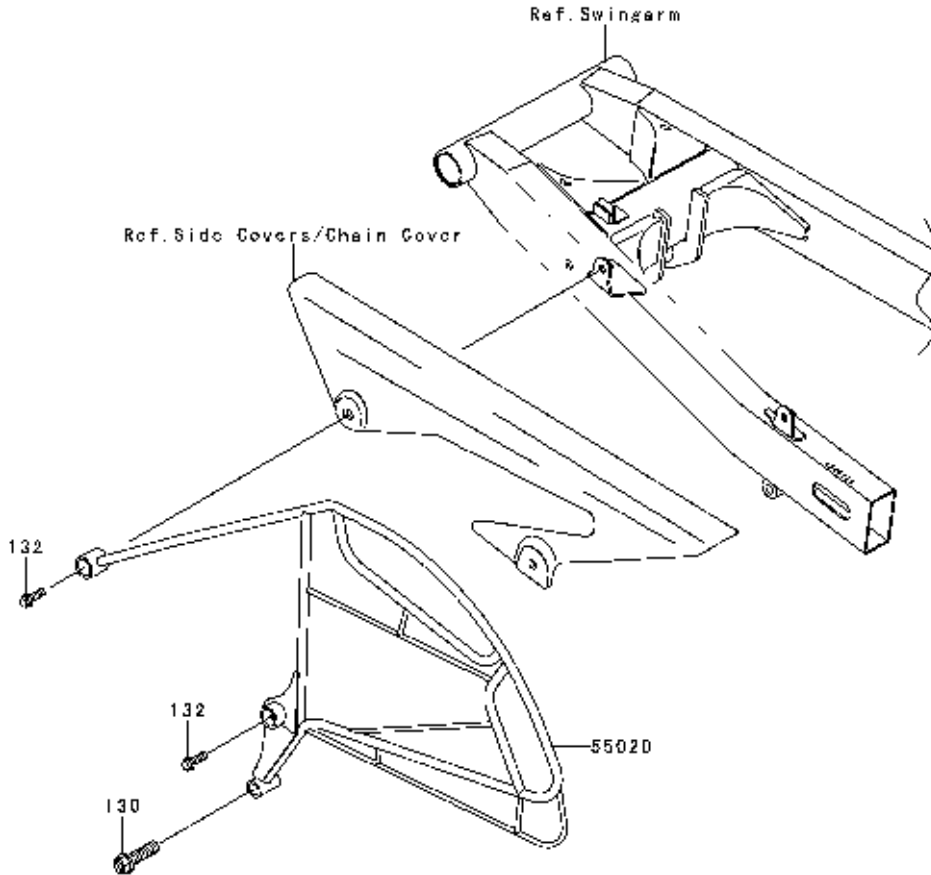
Guard(s)

F2600



Ref. No.	BAL Part No.	Description	Spec Code	Quantity		KHI Ref. No.
				'10 KAF	'11 KBF	

55020	PB181212	GUARD		1		55020-0528
55020	PB122023	GUARD		1	1	55020-0571
130	PB113867	BOLT-FLANGED,10X35		1	1	130BB1035
132	PB113868	BOLT-FLANGED-SMALL,6X18		2	2	132BB0618



This catalog covers:

'10~'11 EX250 KAF/KBF Chassis

GRID NO.

F-8

This grid covers:

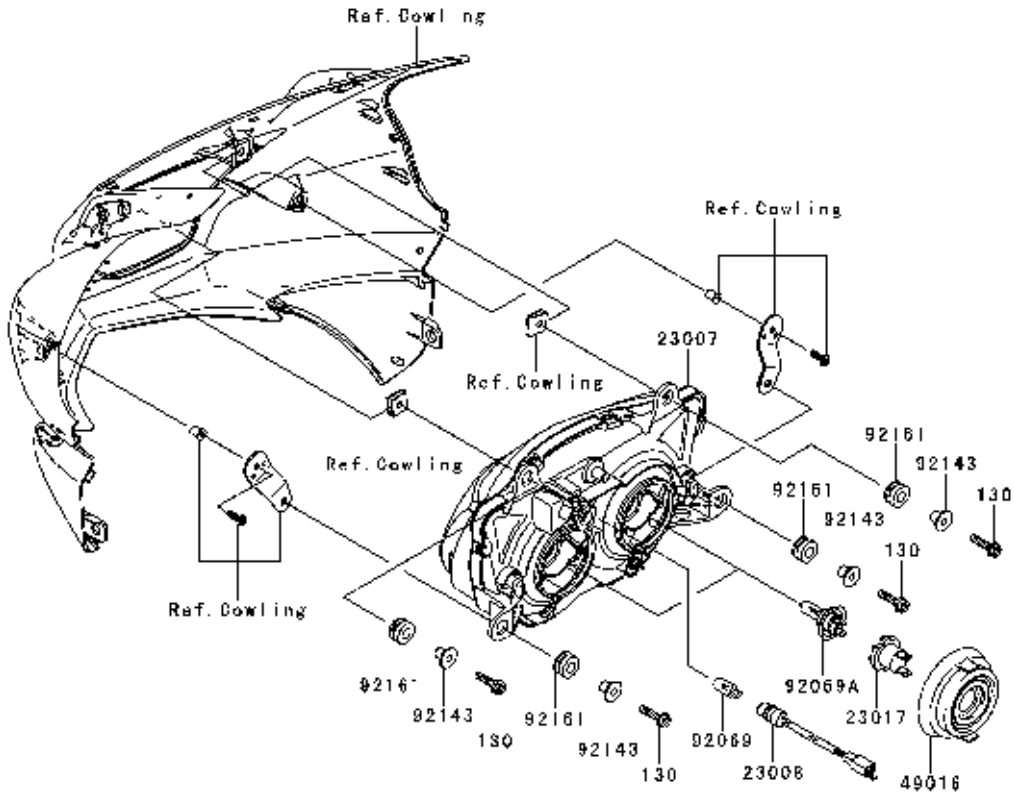
Headlight(s)

F2710



Ref. No.	BAL Part No.	Description	Spec Code	Quantity		KHI Ref. No.
				'10	'11	
				KAF	KBF	

23007	PB401024	LENS-COMP,HEADLAMP		1	1	23007-0122
23008	PB401025	SOCKET-ASSY,HEADLAMP		1	1	23008-0082
23017	PB401026	SOCKET,HEADLAMP		2	2	23017-0004
49016	PB401027	COVER-SEAL,HEADLAMP		2	2	49016-0043
92069	PB401028	BULB,12V5W		1	1	92069-1016
92069A	PB401029	BULB,12V55W,H7		2	2	92069-1126
92143	PB401030	COLLAR		4	4	92143-1353
92161	PB401031	DAMPER		4	4	92161-0036
130	PB113946	BOLT-FLANGED,6X25		4	4	130BB0625



This catalog covers:

'10~'11 EX250 KAF/KBF Chassis

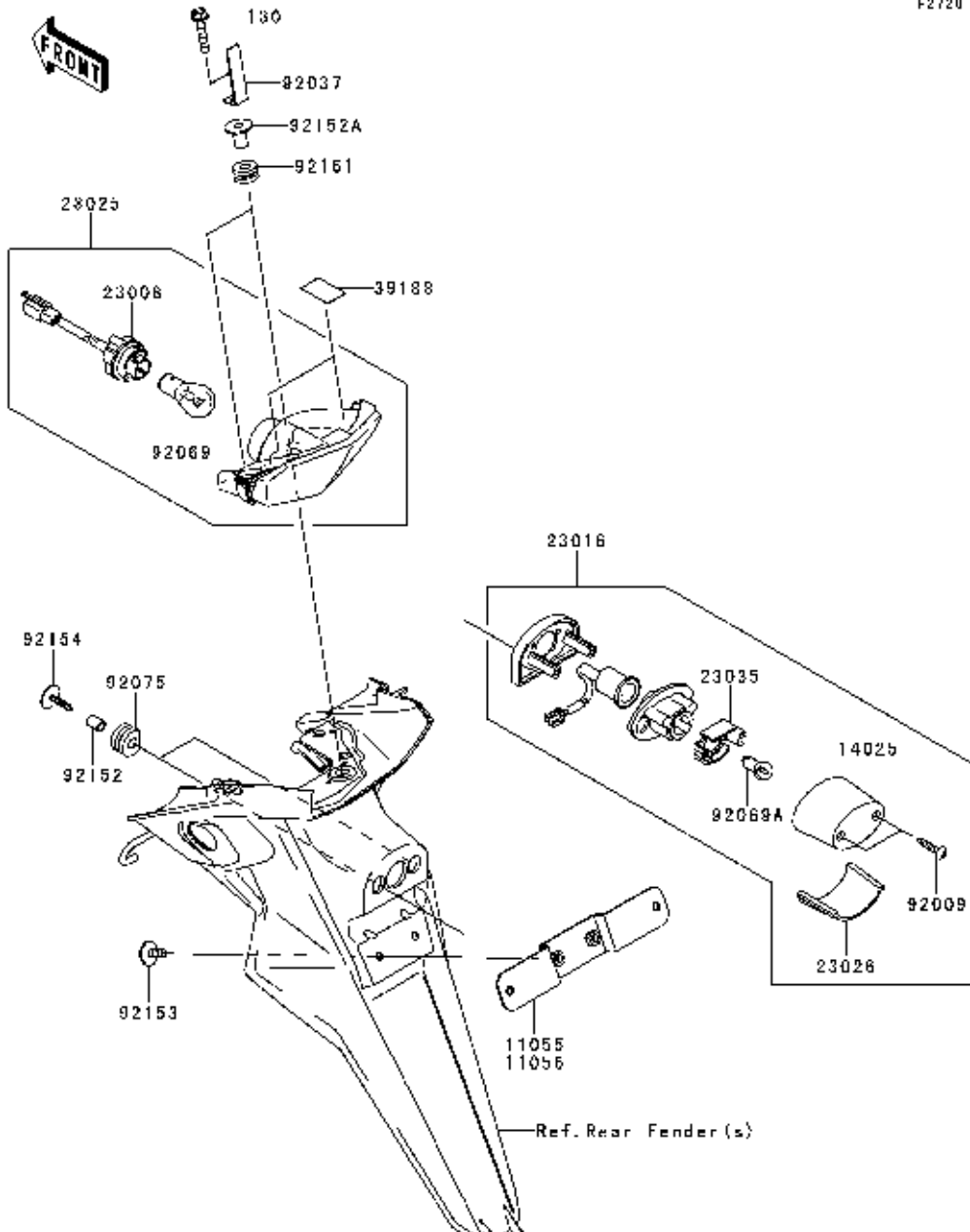
GRID NO.

F-9

This grid covers:

Taillight(s)

F2720



Ref. No.	BAL Part No.	Description	Spec Code	Quantity		KHI Ref. No.
				'10	'11	
				KAF	KBF	
11055	PB401012	BRACKET,LICENSE		1		11055-1703
11056	PB184138	BRACKET,LICENSE		1	1	11056-0580
14025	PB401001	COVER,LICENSELAMP		1	1	14025-1725
23008	PB401006	SOCKET-ASSY,TAILLAMP		1	1	23008-0080
23016	PB401000	LAMP-ASSY,LICENSE		1	1	23016-0003
23025	PB401005	LAMP-TAIL		1	1	23025-0058
23026	PB401002	LENS,LICENSELAMP		1	1	23026-1064
23035	PB401003	REFLECTOR-LAMP,LICENSE		1	1	23035-1066
39188	PB401008	TAPE		2	2	39188-0007
92009	PB113869	SCREW,TAPPING,4X20		2	2	92009-1378
92037	PB401009	CLAMP,HARNESS		2	2	92037-1316
92069	PB401007	BULB,12V21/5W		1	1	92069-0032
92069A	PB401004	BULB,12V5W		1	1	92069-1055
92075	PB401013	DAMPER		2	2	92075-1870
92152	PB401014	COLLAR,6X9X11.5		2	2	92152-0372
92152A	PB401010	COLLAR		2	2	92152-0581
92153	PB113871	BOLT,6X16		2	2	92153-0684
92154	PB113872	BOLT,TAPPING,WASHER,5X25		2	2	92154-0261
92161	PB401011	DAMPER		2	2	92161-0163
130	PB113870	BOLT-FLANGED,6X30		2	2	130BB0630

This catalog covers:

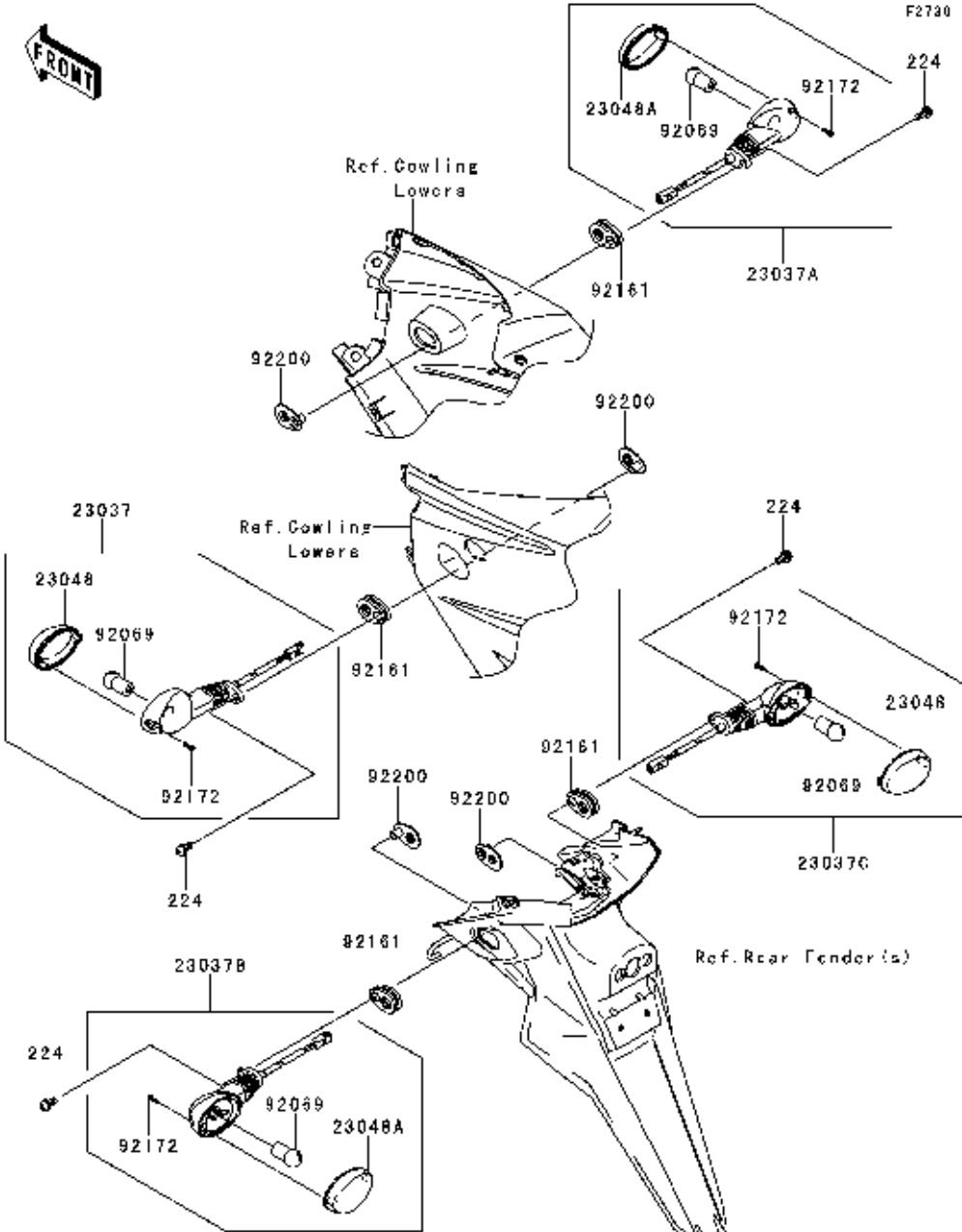
'10~'11 EX250 KAF/KBF Chassis

GRID NO.

F-10

This grid covers:

Turn Signals



Ref. No.	BAL Part No.	Description	Spec Code	Quantity		KHI Ref. No.
				'10	'11	
				KAF	KBF	
23037	PB401015	LAMP-ASSY-SIGNAL,FR,LH		1	1	23037-0115
23037A	PB401018	LAMP-ASSY-SIGNAL,FR,RH		1	1	23037-0116
23037B	PB401020	LAMP-ASSY-SIGNAL,RR,LH		1	1	23037-0117
23037C	PB401021	LAMP-ASSY-SIGNAL,RR,RH		1	1	23037-0118
23048	PB401016	LENS-SIGNALLAMP,FR,LH&RR,RH		2	2	23048-0012
23048A	PB401019	LENS-SIGNALLAMP,FR,RH&RR,LH		2	2	23048-0013
92069	PB401017	BULB,12V10W		4	4	92069-0024
92161	PB401022	DAMPER,SIGNALLAMP		4	4	92161-0828
92172	PB113873	SCREW,TAPPING,2.9X13		4	4	92172-0343
92200	PB113875	WASHER,SIGNALLAMP		4	4	92200-0370
224	PB113874	SCREW-PAN-WP-CROS,6X14		4	4	224AB0614

This catalog covers:

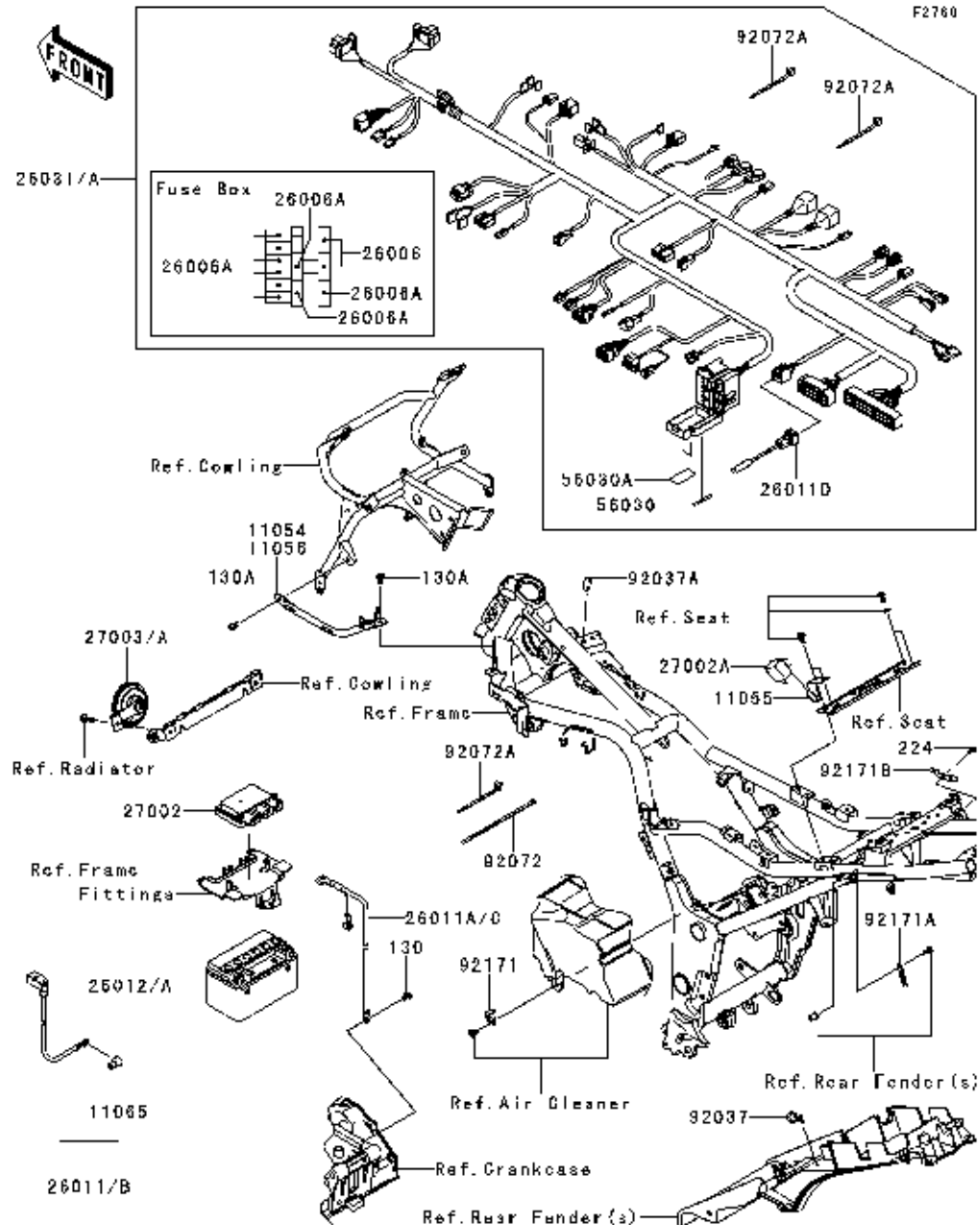
'10~'11 EX250 KAF/KBF Chassis

GRID NO.

F-11

This grid covers:

Chassis Electrical Equipment



Ref. No.	BAL Part No.	Description	Spec Code	Quantity		KHI Ref. No.
				'10	'11	
				KAF	KBF	
11054	PB402200	BRACKET,HARNESS		1		11054-1754
11056	PB114139	BRACKET,HARNESS		1	1	11056-0581
11055	PB401600	BRACKET,RELAY		1	1	11055-0844
11065	PB402202	CAP		1	1	11065-0213
26006	PB402212	FUSE,MINIBLADE,15A,BLUE		2	2	26006-0001
26006A	PB402214	FUSE,MINIBLADE,10A,RED		9	9	26006-1078
26011	PB402201	WIRE-LEAD,BATTERY(+)		1		26011-0151
26011B	PB401803	WIRE-LEAD,BATTERY(+)		1	1	26011-0290
26011A	PB402203	WIRE-LEAD,BATTERY(-)		1		26011-0152
26011C	PB401804	WIRE-LEAD,BATTERY(-)		1	1	26011-0291
26011D	PB402215	WIRE-LEAD,DIAGNOSIS		1	1	26011-1774
26012	PB401800	BATTERY,YTX9-BS,12V8AH		1		26012-0088
26012A	PB401805	BATTERY,FTX9-BS,12V8AH		1	1	26012-0130
26031	PB402204	HARNESS,MAIN		1		26031-0734
26031A	PB402218	HARNESS,MAIN		1		26031-1094
27002	PB401601	RELAY-ASSY		1	1	27002-0007
27002A	PB401602	RELAY-ASSY		1	1	27002-1091
27003	PB401603	HORN		1		27003-0058
27003A	PB401604	HORN		1	1	27003-0071
56030	PB233006	LABEL,FUSEBOX		1	1	56030-0098
56030A	PB233007	LABEL,FUSEBOX		1	1	56030-0147
92037	PB402205	CLAMP,SPEED,L=58		1	1	92037-1163
92037A	PB402206	CLAMP,HOSE		1	1	92037-1827
92072	PB402207	BAND,L=202		1	1	92072-1195
92072A	PB402208	BAND		10	10	92072-1414
92171	PB402209	CLAMP		1	1	92171-0305
92171A	PB402210	CLAMP		1	1	92171-0389
92171B	PB402211	CLAMP		1	1	92171-1931
130	PB113910	BOLT-FLANGED,6X10		1	1	130BB0610
130A	PB113881	BOLT-FLANGED,6X12		2	2	130BB0612
224	PB113947	SCREW-PAN-WP-CROS,5X10		1	1	224AB0510

This catalog covers:

'10~'11 EX250 KAF/KBF Chassis

GRID NO.

F-14

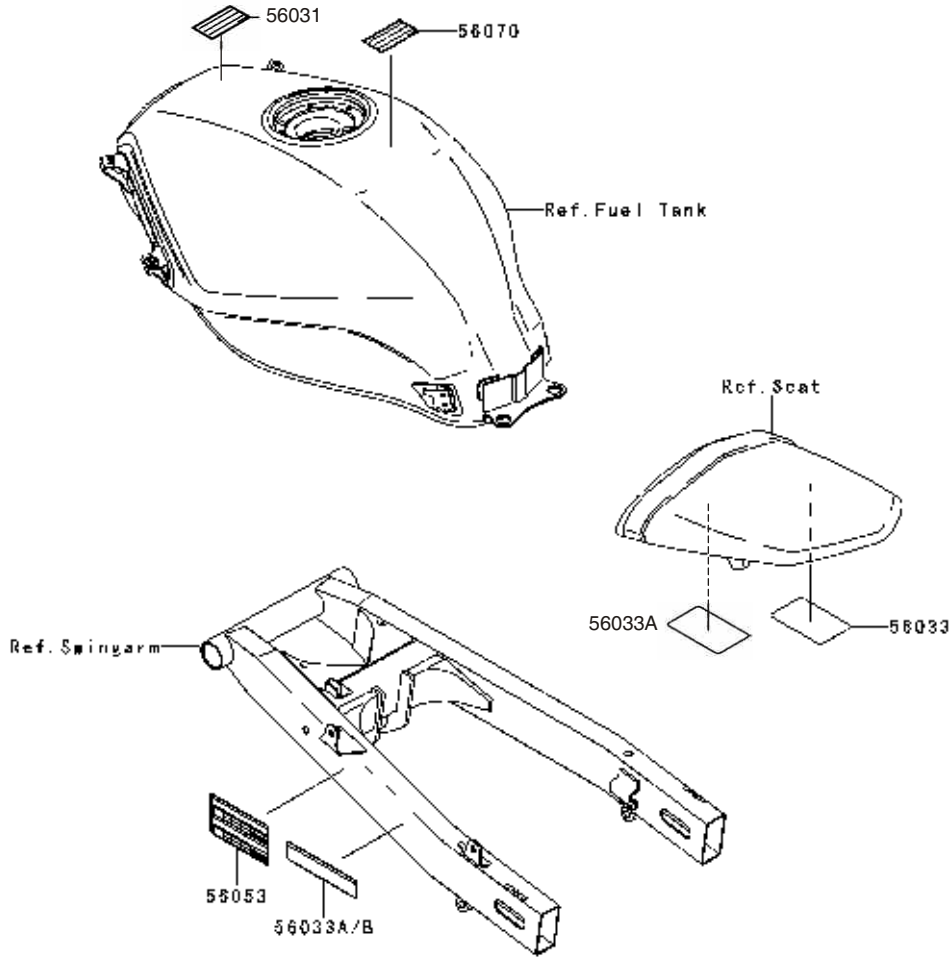
This grid covers:

Labels

F2980



Ref. No.	BAL Part No.	Description	Spec Code	Quantity		KHI Ref. No.
				'10	'11	
				KAF	KBF	
56031	PB233000	LABEL-MANUAL, ENGLISH/FRENCH		1		56031-1441
56033	PB233001	LABEL-MANUAL,DAILYSAFETY		1	1	56033-0237
56033A	PB233002	LABEL-MANUAL, DAILY SAFETY (SEAT)		1		56033-0239
56033B	PB233003	LABEL-MANUAL, CHAIN		1		56033-0240
56033B	PB233013	LABEL-MANUAL,CHAIN			1	56033-0238
56033B	PB233014	LABEL-MANUAL,CHAIN			1	56033-0369
56053	PB233012	LABEL-SPECIFICATION,TIRE&LOAD		1	1	56053-0342
56070	PB233005	LABEL,UNLEADEDPETROLOONLY		1	1	56070-1143



This catalog covers:

'10~'11 EX250 KAF/KBF Chassis

GRID NO.

G-3

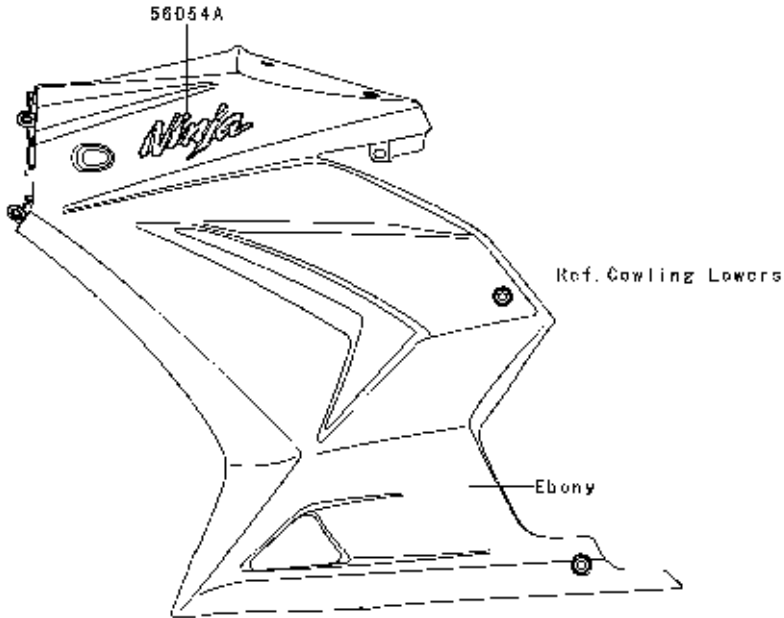
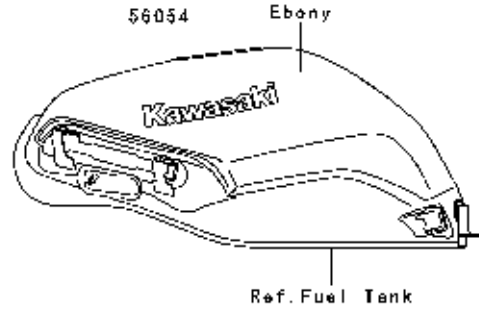
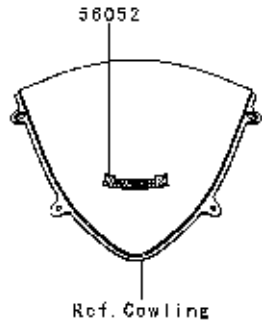
This grid covers:

Decals(Ebony)(KAF)

F2981

Ref. No.	BAL Part No.	Description	Spec Code	Quantity		KHI Ref. No.
				'10 KAF	'11 KBF	

56052	PB101401	MARK,WINDSHIELD,KAWASAKI		1	56052-0154
56054	PB101402	MARK,FUELTANK,KAWASAKI		2	56054-0054
56054A	PB101403	MARK,UPPCOWLING,NINJA		2	56054-0056



This catalog covers:

'10~'11 EX250 KAF/KBF Chassis

GRID NO.

G-4

This grid covers:

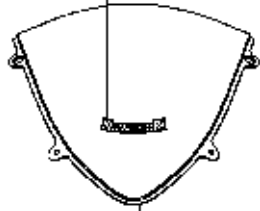
Decals(Green)(KAF/KBF)

F2981A

Ref. No.	BAL Part No.	Description	Spec Code	Quantity		KHI Ref. No.
				'10 KAF	'11 KBF	

56052	PB101401	MARK,WINDSHIELD,KAWASAKI		1	1	56052-0154
56054	PB101404	MARK,FUELTANK,KAWASAKI		2	2	56054-0057
56054A	PB101405	MARK,UPPCOWLING,NINJA		2	2	56054-0059

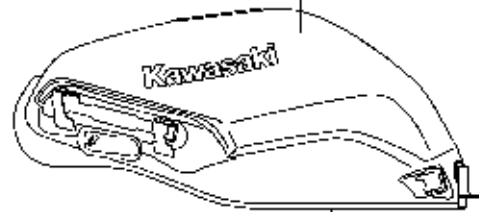
56052



Ref. Cowling

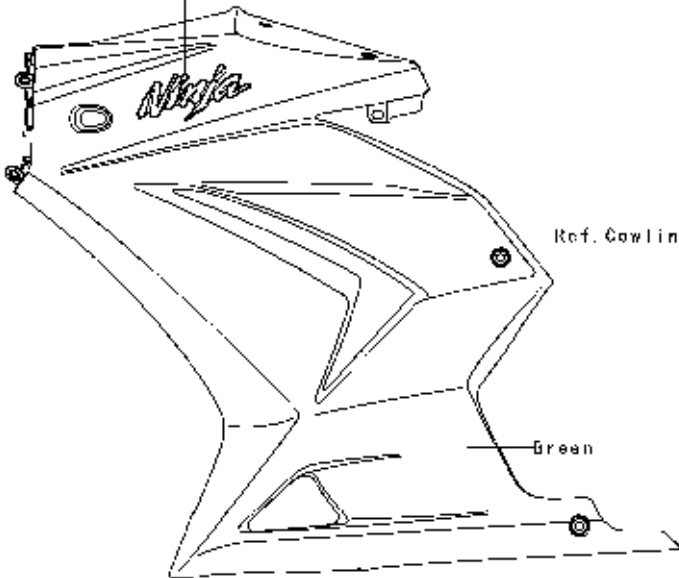
56054

Green



Ref. Fuel Tank

56054A



Ref. Cowling Lower

Green

This catalog covers:

'10~'11 EX250 KAF/KBF Chassis

GRID NO.

G-5

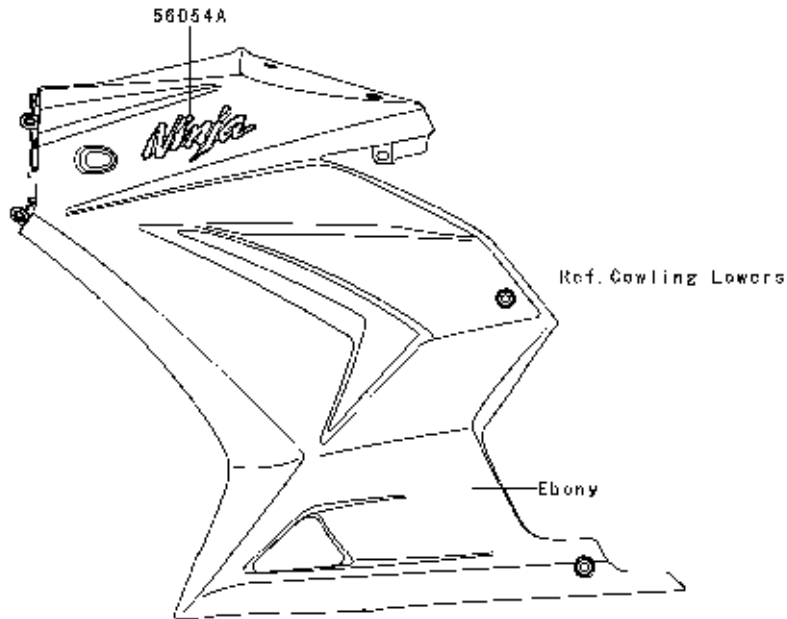
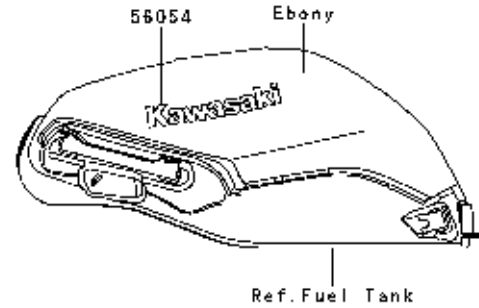
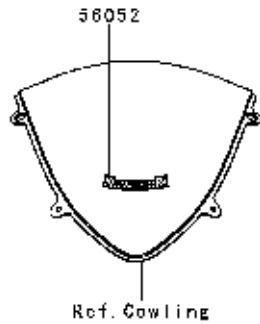
This grid covers:

Decals(Ebony)(KBF)

F29810

Ref. No.	BAL Part No.	Description	Spec Code	Quantity		KHI Ref. No.
				'10 KAF	'11 KBF	

56052	PB101401	MARK,WINDSHIELD,KAWASAKI		1	56052-0154
56054	PB233015	MARK,FUELTANK,KAWASAKI		2	56054-0673
56054A	PB233016	MARK,UPPCOWL.,NINJA		2	56054-0674



This catalog covers:

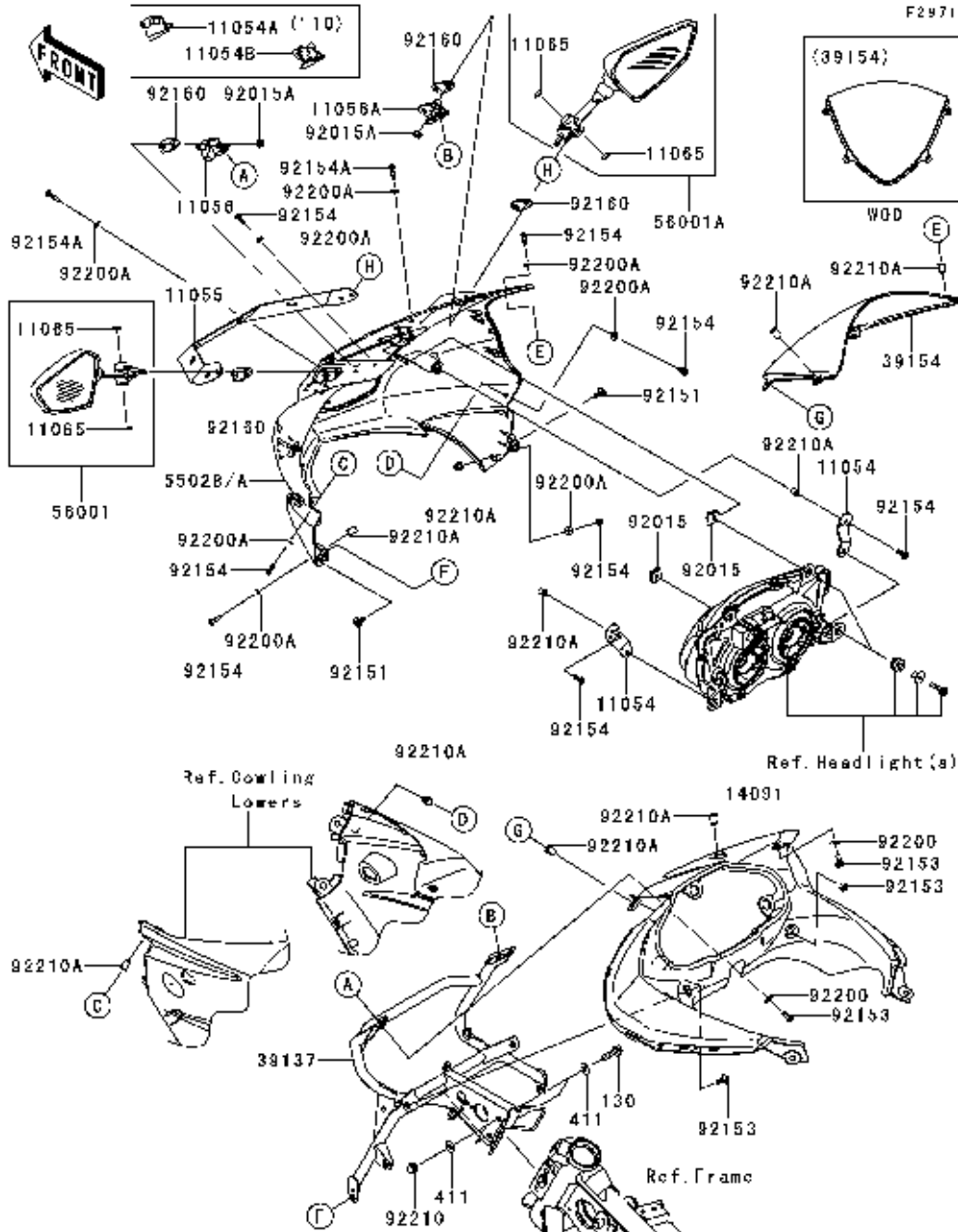
'10~'11 EX250 KAF/KBF Chassis

GRID NO.

G-6

This grid covers:

Cowling



Ref. No.	BAL Part No.	Description	Spec Code	Quantity		KHI Ref. No.	
				'10	'11		
				KAF	KBF		
11054	PB181214	BRACKET		2	2	11054-1457	
11054A	PB231600	BRACKET,MIRROR,LH		1		11054-1613	
11056	PB114143	BRACKET,MIRROR,LH			1	11056-0115	
11054B	PB231601	BRACKET,MIRROR,RH		1		11054-1614	
11056A	PB114144	BRACKET,MIRROR,RH			1	11056-0116	
11055	PB181228	BRACKET,LICENSE		1	1	11055-1704	
11065	PB114145	CAP,14X1.5		4	4	11065-0356	
14091	PB181213	COVER,METER		1	1	14091-0722	
39137	PB181215	STAY-COMP,UPPCOWLING,BLACK		1	1	39137-0058-18R	
39154	PB181216	WINDSHIELD		1	1	39154-0028	
55028	PB181218	COWLING,UPP,EBONY		1	1	55028-0153-H8	
55028A	PB181217	COWLING,UPP,L.GREEN		1	1	55028-0153-777	
56001	PB231605	MIRROR-ASSY,LH		1		56001-0196	
56001A	PB231606	MIRROR-ASSY,RH		1		56001-0197	
56001	PB231602	MIRROR-ASSY,LH		1		56001-0098	
56001A	PB231603	MIRROR-ASSY,RH		1		56001-0099	
92015	PB113887	NUT,6MM		2	2	92015-1094	
92015A	PB113856	NUT,FLANGED,6MM,BLACK		4	4	92015-1233	
92151	PB113807	BOLT,SOCKET,6X14		2	2	92151-1654	
92153	PB113883	BOLT,6X18		4	4	92153-0816	
92154	PB113864	BOLT,SOCKET,5X16		8	8	92154-0182	
92154A	PB113888	BOLT,SOCKET,5X20		2	2	92154-0216	
92160	PB231604	DAMPER,MIRROR		4	4	92160-1089	
92200	PB113884	WASHER,6.5X17X1		2	2	92200-0430	
92200A	PB113866	WASHER,NYLON,5.2X12X1		8	8	92200-1011	
92210	PB113889	NUT,CAP,8MM		2	2	92210-0488	
92210A	PB113825	NUT,WELL,5MM		10	10	92210-0498	
130	PB113885	BOLT-FLANGED,8X30		2	2	130BB0830	
411	PB113886	WASHER-PLAIN,8.5X18X1.6		4	4	411AB0800	

This catalog covers:

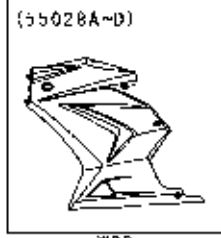
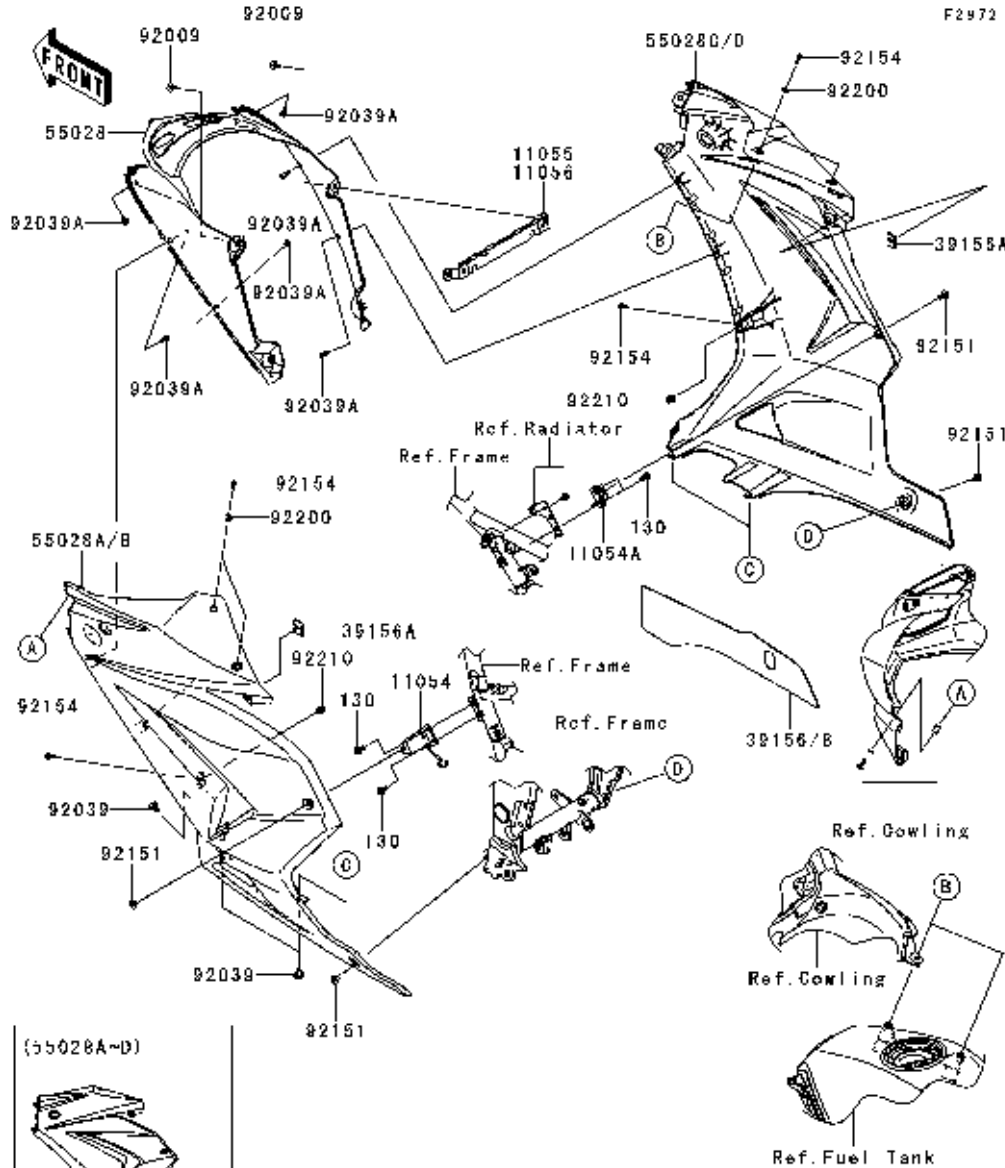
'10~'11 EX250 KAF/KBF Chassis

GRID NO.

G-7

This grid covers:

Cowling Lower



(55028A/C)	Ebony
(55028B/D)	Green

Ref. No.	BAL Part No.	Description	Spec Code	Quantity		KHI Ref. No.
				'10	'11	
				KAF	KBF	
11054	PB181221	BRACKET,SIDECOWLING,LH,BLACK		1	1	11054-1752-18R
11054A	PB181222	BRACKET,SIDECOWLING,RH,BLACK		1	1	11054-1753-18R
11055	PB181219	BRACKET,RADIATORCOWLING		1		11055-0745
11056	PB114146	BRACKET,RADIATORCOWLING			1	11056-0119
39156	PB181223	PAD,SIDECOWLING,RH,LWR		1		39156-0439
39156A	PB181229	PAD, SIDE COWLING		2		39156-0506
39156A	PB181247	PAD,SIDECOWLING			2	39156-0607
39156B	PB181247	PAD,SIDECOWLING,RH,LWR			1	39156-0662
55028	PB181220	COWLING,RADIATOR		1	1	55028-0229
55028A	PB181225	COWLING,SIDE,LH,EBONY		1	1	55028-0271-H8
55028B	PB181224	COWLING,SIDE,LH,L.GREEN		1	1	55028-0271-777
55028C	PB181227	COWLING,SIDE,RH,EBONY		1	1	55028-0272-H8
55028D	PB181226	COWLING,SIDE,RH,L.GREEN		1	1	55028-0272-777
92009	PB113890	SCREW,6X14		2	2	92009-1662
92039	PB113892	RIVET,HOLE8MM		3	3	92039-0014
92039A	PB113893	RIVET		6	6	92039-0060
92151	PB113807	BOLT,SOCKET,6X14		4	4	92151-1654
92154	PB113864	BOLT,SOCKET,5X16		6	6	92154-0182
92200	PB113866	WASHER,NYLON,5.2X12X1		4	4	92200-1011
92210	PB113894	NUT,PLATE,5MM		2	2	92210-0262
130	PB113891	BOLT-FLANGED,6X14		4	4	130BB0614

This catalog covers:

'10~'11 EX250 KAF/KBF

GRID NO.

This grid covers:

L-13

Numerical Parts Index

BAL Part No.	Grid No.	KHI Part No.	BAL Part No.	Grid No.	KHI Part No.	BAL Part No.	Grid No.	KHI Part No.	BAL Part No.	Grid No.	KHI Part No.	BAL Part No.	Grid No.	KHI Part No.	BAL Part No.	Grid No.	KHI Part No.
PB101401	G3	56052-0154	PB113817	D8	92150-1002	PB113862	D5	92172-0004	PB113903	D4	92154-0036	PB113938	E11	92055-1384	PB113981	B10	92015-1527
PB101401	G4	56052-0154	PB113818	D8	482EA5000	PB113862	F6	92172-0004	PB113904	D5	92072-0099	PB113939	E11	92150-1432	PB113982	B10	92038-001
PB101401	G5	56052-0154	PB113819	D8	92022-1661	PB113863	F6	92071-0034	PB113905	E5	92022-1373	PB113940	E11	92022-231	PB113983	B11	92153-1880
PB101402	G3	56054-0054	PB113820	D8	92043-1595	PB113864	F6	92154-0182	PB113905	E6	92022-1373	PB113941	E11	92153-0301	PB113984	B11	92045-0067
PB101403	G3	56054-0056	PB113821	D8	92150-1760	PB113864	G6	92154-0182	PB113905	E8	92022-1373	PB113942	E11	92150-1610	PB113985	B11	92016-028
PB101404	G4	56054-0057	PB113821	D9	92150-1760	PB113864	G7	92154-0182	PB113905	E9	92022-1373	PB113943	F4	130BA0514	PB113986	B11	92022-1116
PB101405	G4	56054-0059	PB113822	D9	130BB0618	PB113865	F6	92154-0215	PB113906	E5	92043-1416	PB113944	F4	92172-0340	PB113987	B11	92033-1212
PB111000	D3	32160-0422-18R	PB113823	D10	92009-1654	PB113866	F6	92200-1011	PB113906	E6	92043-1416	PB113945	F4	92022-104	PB113988	B11	92046-028
PB111002	D3	32160-0494-18R	PB113824	D10	92009-3845	PB113866	G6	92200-1011	PB113906	E8	92043-1416	PB113946	B3	130BB0625	PB113989	B13	92001-1037
PB113000	D8	34028-0133	PB113825	D10	92210-0498	PB113866	G7	92200-1011	PB113906	E9	92043-1416	PB113946	B7	130BB0625	PB113990	B13	92043-076
PB113001	D8	34028-1450	PB113825	F6	92210-0498	PB113867	F7	130BB1035	PB113907	E5	92001-1041	PB113946	C13	130BB0625	PB113991	B13	610A0406
PB113002	D8	35063-0385-18R	PB113825	G6	92210-0498	PB113868	F7	132BB0618	PB113907	E6	92001-1041	PB113946	F8	130BB0625	PB113992	B13	610A0408
PB113003	D8	92075-1980	PB113826	D11	92154-0412	PB113869	F9	92009-1378	PB113908	E5	92009-1771	PB113947	F11	224AB0510	PB113992	C8	610A0408
PB113004	D8	92144-1567	PB113827	D11	92015-1188	PB113870	F9	130BB0630	PB113908	E6	92150-1771	PB113948	B3	92042-007	PB113993	B13	92002-1696
PB113005	D8	34028-1451	PB113828	D13	410AA1400	PB113871	F9	92153-0684	PB113908	E8	92150-1771	PB113949	B3	92154-0246	PB113993	C9	92002-1696
PB113006	D8	35063-0386-18R	PB113829	D13	481J3500	PB113872	F9	92154-0261	PB113908	E9	92150-1771	PB113950	B3	92004-0025	PB113994	B13	92045-1152
PB113007	D8	34028-1488	PB113830	D13	601B6202UU	PB113873	F10	92172-0343	PB113909	E4	130BB0512	PB113951	B4	132BB0620	PB113995	B13	480J3000
PB113008	D8	35063-0626-18R	PB113831	D13	92022-1510	PB113874	F10	224AB0614	PB113910	C13	130BB0610	PB113951	C5	132BB0620	PB113997	B13	482J0100
PB113009	D8	92081-1612	PB113832	D13	92022-1511	PB113875	F10	92200-0370	PB113910	E4	130BB0610	PB113952	B4	92043-4009	PB113998	B12	92022-112
PB113010	D8	92152-0658	PB113833	D13	92033-1160	PB113876	F12	92002-1582	PB113910	F11	130BB0610	PB113953	B4	92055-0195	PB113999	B12	92022-161
PB113011	D8	34028-1489	PB113834	D13	92043-1220	PB113877	F12	92210-0007	PB113911	E4	49091-0001	PB113954	B4	92153-0793	PB114000	B12	92033-015
PB113012	D8	35063-0627-18R	PB113835	D13	550AA3025	PB113878	C12	461DA0600	PB113911	E7	49091-0001	PB113955	B3	411AA0800	PB114001	B12	92033-026
PB113200	D11	34024-0037-18R	PB113836	D13	92015-1765	PB113878	F12	461DA0600	PB113912	E4	92154-0226	PB113956	B3	92043-1264	PB114002	B12	92045-1013
PB113201	D11	92145-0084	PB113837	D14	601B6203UU	PB113879	F12	92153-0967	PB113912	E7	92154-0226	PB113956	B5	92043-1264	PB114003	B12	92046-044
PB113202	D11	34024-0091-18R	PB113838	D14	601B6303UU	PB113880	F12	120CB0512	PB113913	E4	92001-1728	PB113957	B3	92153-1774	PB114004	B12	92200-1389
PB113203	D11	92145-0804	PB113839	D14	92033-1042	PB113881	B6	130BB0612	PB113914	E4	92002-1323	PB113958	B3	92153-1775	PB114005	B12	600A0500
PB113400	D4	31059-0003	PB113840	D14	92004-0028	PB113881	F11	130BB0612	PB113915	E4	92002-1894	PB113959	B5	132BB0610	PB114013	B12	92000-0506
PB113401	D4	31059-0004	PB113841	D14	601B6205G	PB113881	F12	130BB0612	PB113916	E4	92009-1458	PB113960	B5	92022-304	PB114014	B12	92210-0222
PB113800	D6	92210-1397	PB113842	D14	550AA4035	PB113882	F12	221AA0625	PB113917	E7	225AB0412	PB113961	B6	92153-1796	PB114015	B14	130CB0620
PB113801	D6	92015-1364	PB113843	D14	92015-1947	PB113883	G6	92153-0816	PB113918	E7	92022-1601	PB113962	B6	92172-0296	PB114016	B14	92015-1178
PB113802	D6	92015-1658	PB113844	D14	92022-1916	PB113884	G6	92200-0430	PB113919	E7	92033-1186	PB113963	B6	92071-1047	PB114017	B14	92002-1926
PB113803	D6	410AA0800	PB113845	D14	92210-0276	PB113885	G6	130BB0830	PB113920	E7	92055-1251	PB113964	B6	92153-1948	PB114018	B14	92022-072
PB113804	D6	92015-1946	PB113846	E3	180BA0616	PB113886	G6	411AB0800	PB113921	E7	550AA2015	PB113965	B7	132BA0625	PB114019	B14	92200-0490
PB113805	D6	92046-1162	PB113847	E3	92022-1282	PB113887	D5	92015-1094	PB113922	E7	92001-1860	PB113965	C14	132BA0625	PB114020	B14	92153-1986
PB113806	D6	92151-1149	PB113848	E3	92022-326	PB113887	G6	92015-1094	PB113923	E7	92043-0104	PB113966	B7	92153-1967	PB114021	B14	92200-0434
PB113807	D10	92151-1654	PB113849	D3	92090-007	PB113888	G6	92154-0216	PB113924	E7	92153-1624	PB113967	B7	92200-0554	PB114022	C4	92002-1584
PB113807	D6	92151-1654	PB113850	D3	92140-0008	PB113889	G6	92210-0488	PB113925	E8	120CA0816	PB113968	B14	311BB0600	PB114023	C4	92002-1687
PB113807	D9	92151-1654	PB113851	D3	92154-0075-18R	PB113890	G7	92009-1662	PB113925	E9	120CA0816	PB113968	B7	311BB0600	PB114024	C3	92042-031
PB113807	E14	92151-1654	PB113852	E13	220AB0508	PB113891	G7	130BB0614	PB113926	E10	120CB0822	PB113969	B7	92015-1387	PB114025	C4	92151-1462
PB113807	G6	92151-1654	PB113853	F12	130BA0610	PB113892	G7	92039-0014	PB113927	E10	92009-1257	PB113970	B7	92022-1346	PB114026	C4	92151-1904
PB113807	G7	92151-1654	PB113854	E13	80BB0625	PB113893	G7	92039-0060	PB113928	E10	92154-0066	PB113971	B7	92022-289	PB114027	C4	92151-1953
PB113808	D7	130BB1255	PB113855	E13	20CB0516	PB113894	G7	92210-0262	PB113929	E10	92154-0067	PB113972	B7	92153-1800	PB114028	C4	92153-1632
PB113809	D7	92055-1215	PB113856	E4	92015-1233	PB113895	D5	11065-0262-18T	PB113930	E10	92172-0376	PB113973	B7	92154-0070	PB114029	C4	92200-0171
PB113810	D7	92153-1830	PB113856	G6	92015-1233	PB113896	D5	11065-0263-18T	PB113931	E10	92210-0479	PB113974	B7	92210-1242	PB114030	C3	92154-0356
PB113811	D7	92153-1831	PB113857	F3	130BA0612	PB113897	D5	32098-0019	PB113932	E10	92210-0480	PB113975	B9	92151-1930	PB114031	C3	92002-1592
PB113812	D7	92153-1832	PB113859	F3	130BB0616	PB113898	D5	32097-0022	PB113933	E10	92172-0397	PB113976	B9	92153-1763	PB114032	C3	92002-1705
PB113813	D7	92210-1247	PB113859	F3	411AA0600	PB113899	D5	92072-0069	PB113934	E11	224AB0612	PB113977	B9	92153-1808	PB114033	C3	92043-1309
PB113814	D8	482EA0100	PB113860	E14	92015-1531	PB113900	D4	92015-1415	PB113935	E11	92022-1879	PB113978	B9	92150-1725	PB114034	C3	92055-0127
PB113815	D8	92009-1404	PB113861	E14	92071-056	PB113901	D4	92153-1957	PB113936	E11	92033-1236	PB113979	B5	92033-1161	PB114035	C3	92055-1146
PB113816	D8	92043-0026	PB113861	F6	92071-056	PB113902	D4	92154-0035	PB113937	E11	92033-1286	PB113980	B10	92001-1793	PB114035	C5	92055-1146

This catalog covers:

'10~'11 EX250 KAF/KBF

GRID NO.

This grid covers:

L-14

Numerical Parts Index

BAL Part No.	Grid No.	KHI Part No.	BAL Part No.	Grid No.	KHI Part No.	BAL Part No.	Grid No.	KHI Part No.	BAL Part No.	Grid No.	KHI Part No.	BAL Part No.	Grid No.	KHI Part No.	BAL Part No.	Grid No.	KHI Part No.
PB114036	C3	92002-1427	PB114092	C12	92022-1132	PB121002	D3	92048-006	PB122022	D7	39111-0076	PB131828	E8	43056-0004	PB131860	E8	43048-1066
PB114037	C3	92153-0627	PB114093	C12	92055-1276	PB121003	D3	92048-008	PB122023	F7	55020-0571	PB131828	E9	43056-0004	PB131860	E9	43048-1066
PB114038	C5	132BB0625	PB114094	C12	92055-1550	PB121004	E11	44071-0453-18R	PB131000	D12	16126-1140	PB131829	E5	43057-1001	PB131861	E8	43049-1063
PB114038	C9	132BB0625	PB114095	C12	92055-1551	PB121005	E11	44005-0062-18R	PB131001	D12	41009-0251	PB131829	E6	43057-1001	PB131861	E9	43049-1063
PB114039	C5	92043-1263	PB114096	C12	92151-1980	PB121006	E11	44013-0117	PB131002	D12	41075-0007	PB131829	E8	43057-1001	PB131862	E8	43049-1064
PB114040	C5	92046-1010	PB114097	C12	92071-0037	PB121007	E11	44065-1110	PB131003	D12	41075-0008	PB131829	E9	43057-1001	PB131862	E9	43049-1064
PB114041	C5	92055-049	PB114098	C12	311AA0600	PB121008	E11	44023-0067	PB131004	D12	41075-0009	PB131830	E5	49006-1088	PB131863	E7	43095-0440
PB114042	C14	92153-0832	PB114099	C12	92015-1367	PB121009	E11	44026-0126	PB131005	D13	41073-0178-QT	PB131830	E6	49006-1088	PB131871	E6	43044-1112
PB114042	C5	92153-0832	PB114100	C12	92154-0175	PB121010	E11	44029-1127	PB131200	D12	41009-0252	PB131830	E8	49006-1088	PB131871	E9	43044-1112
PB114043	C5	132BB0675	PB114101	C11	220AA0510	PB121011	E11	44045-051	PB131201	D14	41073-0179-QT	PB131830	E9	49006-1088	PB131872	E6	43045-0005
PB114047	C5	132BB0635	PB114102	C6	11055-1303	PB121012	E11	44065-1109	PB131202	D14	92152-0843	PB131831	E5	49006-1242	PB131872	E9	43045-0005
PB114048	C5	132BB0650	PB114103	C6	11065-0018	PB121013	E11	55020-0329	PB131203	D14	92152-0844	PB131831	E6	49006-1242	PB131873	E6	43080-0093-GN
PB114050	C6	16021-0021	PB114104	C6	16014-0002	PB121014	E11	92026-1443	PB131600	D14	42033-0039	PB131831	E8	49006-1242	PB131874	E6	92210-0626
PB114051	C6	92055-1622	PB114105	E10	220AB0525	PB121015	E11	92049-1421	PB131800	D13	41068-0024	PB131831	E9	49006-1242	PB131875	E9	43045-1010
PB114052	C6	92071-0038	PB114106	E10	220AB0540	PB121016	E11	92093-1367	PB131801	D13	41073-0095-QT	PB131832	E5	92144-1847	PB131876	E9	43080-0094-GN
PB114053	C7	92055-0185	PB114111	E14	92161-0860	PB121017	E11	92152-0719	PB131802	D13	92049-0136	PB131832	E6	92144-1847	PB131877	E9	92210-0626
PB114054	C7	92153-1283	PB114112	E14	92075-1927	PB121018	E11	44071-0454-18R	PB131803	D13	92152-0525	PB131832	E8	92144-1847	PB141000	D14	42041-1478
PB114056	C8	92151-1305	PB114112	E14	92075-1927	PB121019	E11	44006-0058-18R	PB131804	D13	41078-0010	PB131832	E9	92144-1847	PB141001	D14	92057-1411
PB114057	C8	92153-1114	PB114113	C6	92081-1620	PB121020	E11	44037-0088-18R	PB131805	D13	41060-0004	PB131833	E5	43082-0081	PB141002	D14	42041-0088
PB114058	C8	92009-1984	PB114115	F13	92104-0004	PB121021	E11	92047-012	PB131806	D13	41060-0005	PB131833	E6	43082-0081	PB141003	D14	92004-0048
PB114061	C9	132BB0645	PB114116	F13	92104-1064	PB121022	E11	92056-003	PB131807	D13	92049-1173	PB131833	E8	43082-0081	PB141004	D14	92057-0207
PB114062	C9	600A1200	PB114117	C6	92145-0656	PB121023	E11	44039-0056-18R	PB131808	D13	92087-1051	PB131833	E9	43082-0081	PB151000	E10	13042-0032
PB114063	C9	92043-111	PB114118	C6	92172-0064	PB121024	E11	92171-1857	PB131809	D13	92143-1187	PB131834	E4	11055-1417	PB151001	E10	39058-0007-18R
PB114064	C9	92022-1012	PB114119	C6	92172-0129	PB121025	E11	92171-1947	PB131810	D14	41068-1223	PB131835	E4	43095-0450	PB151002	E10	39058-0008-18R
PB114065	C14	130AB0610	PB114120	C6	92172-0393	PB121027	D9	92152-0842	PB131811	D14	41073-0153-QT	PB131836	E4	43015-0110	PB151004	E10	92066-1216
PB114066	C14	130BB0635	PB114121	C6	92192-0019	PB121028	E11	44005-0080-18R	PB131812	D14	671B2550A	PB131837	E4	27010-1170	PB161000	E3	43001-0100
PB114067	C14	92022-1976	PB114122	E14	99996-1360-777	PB121029	E11	44006-0076-18R	PB131813	D14	92049-1056	PB131838	E4	43020-1095	PB161001	E3	92081-1833
PB114068	C14	92055-1432	PB114123	E14	99996-1360-H8	PB121030	E11	44037-0112-21	PB131814	D14	92143-1416	PB131839	E4	43022-1010	PB161002	E10	46019-0001
PB114069	C14	92150-1562	PB114126	B3	92173-0195	PB121031	E11	44071-0686-18R	PB131815	D14	92161-0700	PB131840	E4	43026-1074	PB161003	E10	46091-0157
PB114071	C13	92153-1798	PB114127	B6	11056-0125	PB121032	E11	44071-0687-18R	PB131816	D14	42032-063	PB131841	E4	43028-1061	PB161004	E10	46075-1144
PB114072	C13	92153-1799	PB114128	B6	92172-0005	PB122000	D6	33001-0204-18R	PB131817	D14	42033-0030	PB131842	E4	43034-1016	PB161005	E10	46076-0058
PB114073	C14	132BA0612	PB114129	C8	11056-0123	PB122001	D6	33032-1134	PB131818	D14	92052-006	PB131843	E4	46092-0028	PB161006	E10	27010-1094
PB114074	C13	132BA0510	PB114130	C8	92173-0194	PB122002	D6	11012-1871-18R	PB131819	D14	42036-1055	PB131844	E4	49016-1044	PB161007	E10	13280-0295
PB114075	C13	92015-1487	PB114131	D4	92154-0359	PB122003	D6	33040-0030-18R	PB131820	D14	92027-1785	PB131845	E7	43015-0091	PB161008	E10	46092-0030
PB114076	C13	92150-1186	PB114132	D4	92154-0360	PB122004	D6	33040-1116	PB131821	E10	11065-0218	PB131846	E7	13159-1052	PB161009	E10	46091-0158
PB114077	C13	92200-1087	PB114133	D7	92154-0362	PB122005	D6	42036-1218	PB131821	E4	11065-0218	PB131847	E7	43010-1055	PB161200	F5	54001-0014
PB114078	C13	186AB0616	PB114134	D8	92043-0200	PB122006	D6	55020-0317	PB131822	E5	41080-0113-11H	PB131848	E7	43020-1057	PB161201	F5	54011-0073
PB114079	C14	132BB0612	PB114135	D8	92172-0473	PB122007	D6	92049-1254	PB131822	E6	41080-0113-11H	PB131849	E7	92081-1737	PB161202	F5	54012-0218
PB114080	C14	132BB0616	PB114136	E14	11056-0117	PB122008	D6	92171-1942	PB131823	E5	43080-0062-GN	PB131850	E7	43026-1051	PB161203	F5	54012-0219
PB114081	C14	92055-091	PB114137	E14	92152-0842	PB122009	D7	39007-0159	PB131824	E5	43045-1010	PB131851	E7	43027-1051	PB161204	F5	54001-0025
PB114082	C10	120CA0625	PB114139	F11	11056-0581	PB122010	D7	42036-1077	PB131824	E6	43045-1010	PB131852	E7	43028-1057	PB161205	F5	54012-0293
PB114083	C10	130AA0622	PB114140	F12	11065-0708	PB122011	D7	42036-1078	PB131824	E8	43045-1010	PB131853	E7	43078-1165	PB161206	F5	54012-0294
PB114084	C10	92002-1296	PB114141	F12	32074-0014	PB122012	D7	42036-1102	PB131825	E5	43048-1068	PB131854	E7	43095-0379	PB171000	E13	1055-0897
PB114085	C10	92200-1241	PB114142	F12	55020-0554	PB122013	D7	92028-1597	PB131825	E6	43048-1068	PB131855	E7	92037-1547	PB171001	E13	32052-0083
PB114086	C12	130BB0620	PB114143	G6	11056-0115	PB122014	D7	92028-1598	PB131826	E5	43049-1060	PB131856	E7	92173-0028	PB171002	E13	92027-1210
PB114087	C12	92043-132	PB114144	G6	11056-0116	PB122015	D7	92049-1109	PB131826	E6	43049-1060	PB131857	E8	41080-0114-11H	PB171003	E13	92075-1115
PB114088	C12	92122-006	PB114145	G6	11065-0356	PB122016	D7	45014-0242-23J	PB131827	E5	43049-1061	PB131857	E9	41080-0114-11H	PB171004	E13	92075-1690
PB114089	C12	21025-011	PB114146	G7	11056-0119	PB122017	D7	92160-1161	PB131827	E6	43049-1061	PB131858	E8	43034-0021-18R	PB171004	F4	92075-1690
PB114090	C12	92015-1476	PB121000	D3	11012-1898	PB122018	D7	39111-0078	PB131828	E5	43056-0004	PB131858	E9	43034-0021-18R	PB171005	E13	51086-5015-777
PB114091	C12	92055-1370	PB121001	D3	92047-011	PB122021	D6	33001-0223-18R	PB131828	E6	43056-0004	PB131859	E8	43080-0063-GN	PB171006	E13	51086-5018-H8

This catalog covers:
'10~'11 EX250 KAF/KBF

GRID NO. This grid covers:
L-15 Numerical Parts Index

BAL Part No.	Grid No.	KHI Part No.	BAL Part No.	Grid No.	KHI Part No.	BAL Part No.	Grid No.	KHI Part No.	BAL Part No.	Grid No.	KHI Part No.	BAL Part No.	Grid No.	KHI Part No.	BAL Part No.	Grid No.	KHI Part No.
PB171009	E13	51086-5479-777	PB181406	D10	27012-0129	PB233002	F14	56033-0239	PB351613	C12	92026-0153	PB402202	C12	11065-0213	PB511019	B8	12005-0057
PB171010	E13	51086-5480-H8	PB181407	D10	35023-0107	PB233003	F14	56033-0240	PB401000	F9	23016-0003	PB402202	F11	11065-0213	PB511020	B8	49078-0077
PB171600	E13	92173-0049	PB181408	D10	35015-0025	PB233005	F14	56070-1143	PB401001	F9	14025-1725	PB402203	F11	26011-0152	PB511021	B4	11065-0349
PB171601	E13	92192-0671	PB183853	E13	30BA0610	PB233006	F11	56030-0098	PB401002	F9	23026-1064	PB402204	F11	26031-0734	PB511200	B9	11061-0211
PB171602	F12	51049-5007	PB184138	F9	11056-0580	PB233007	F11	56030-0147	PB401003	F9	23035-1066	PB402205	F11	92037-1163	PB511201	B9	12048-0040
PB171603	E13	4069-0011	PB191000	E14	53066-0212-12Y	PB233012	F14	56053-0342	PB401004	F9	92069-1055	PB402206	F11	92037-1827	PB511202	B9	670D2010
PB171800	E13	92192-0910	PB191001	E14	53066-0212-13K	PB233013	F14	56033-0238	PB401005	F9	23025-0058	PB402207	F11	92072-1195	PB511202	C3	670D2010
PB171801	E13	92192-0919	PB191002	E14	53003-0132-337	PB233014	F14	56033-0369	PB401006	F9	23008-0080	PB402208	F11	92072-1414	PB511203	B9	12053-0101
PB181200	F6	36001-0113-6Z	PB191003	E14	53003-0132-MA	PB233015	G5	56054-0673	PB401007	F9	92069-0032	PB402209	F11	92171-0305	PB511204	B9	12053-0102
PB181201	F6	36001-0114-6Z	PB191005	E14	11055-0358	PB233016	G5	56054-0674	PB401008	F9	39188-0007	PB402210	F11	92171-0389	PB511205	B9	12053-0139
PB181202	F6	92161-0588	PB191006	E14	39156-0538	PB351000	C10	21003-0069	PB401009	F9	92037-1316	PB402211	F11	92171-1931	PB511206	B9	12046-0072
PB181203	F6	92161-0589	PB191007	E14	53066-0227-MA	PB351001	C10	21007-0110	PB401010	F9	92152-0581	PB402212	F11	26006-0001	PB511207	B9	49118-0098
PB181204	F6	36040-0061-H8	PB191008	E14	53003-0109-MA	PB351002	C10	21066-0033	PB401011	F9	92161-0163	PB402213	C12	26006-1006	PB511208	B9	49118-0099
PB181205	F6	36040-0062-H8	PB191009	E14	11054-1918	PB351003	C10	92037-1919	PB401012	F9	11055-1703	PB402214	F11	26006-1078	PB511209	B9	92057-0156
PB181206	F6	36040-0063-6Z	PB191010	E14	53065-0018-777	PB351004	C10	92075-1811	PB401013	F9	92075-1870	PB402215	F11	26011-1774	PB521000	B5	11061-0288
PB181207	F6	39188-0008	PB191011	E14	53065-0018-H8	PB351005	C10	21003-0115	PB401014	F9	92152-0372	PB402217	C6	92072-0012	PB521001	B5	98111-0012
PB181208	F6	92152-0747	PB191012	E14	92161-0525	PB351006	C11	59026-0038	PB401015	F10	23037-0115	PB402218	F11	26031-1094	PB521002	B5	13001-0091
PB181209	F6	92160-1613	PB191013	E14	53066-0276-12Y	PB351200	C11	59026-0030	PB401016	F10	23048-0012	PB402400	F4	25031-0165	PB521201	B5	13002-1097
PB181210	F6	92161-0480	PB191014	E14	53066-0277-MA	PB351201	C11	92070-0031	PB401017	F10	92069-0024	PB402401	F4	14091-0804	PB521202	B5	13008-0032
PB181211	F6	36014-0055	PB231000	F13	56007-0059	PB351202	C11	21171-0028	PB401018	F10	23037-0116	PB402402	F4	23008-0077	PB521203	B5	13001-0122
PB181212	F7	55020-0528	PB231001	F13	56008-0019	PB351400	B13	11009-1008	PB401019	F10	23048-0013	PB402403	F4	25005-0043	PB531000	B10	13251-1103-HH
PB181213	G6	14091-0722	PB231002	F13	92106-1001	PB351401	B13	11061-0373	PB401020	F10	23037-0117	PB402404	F4	25015-0012	PB531001	B10	92028-1486
PB181214	G6	11054-1457	PB231003	F13	92107-0009	PB351402	B13	13151-1102	PB401021	F10	23037-0118	PB402405	F4	25023-0031	PB531002	B10	92028-1487
PB181215	G6	39137-0058-18R	PB231004	F13	92107-0010	PB351403	B13	92144-1580	PB401022	F10	92161-0828	PB402406	F4	92077-0010	PB531003	B10	92028-1489
PB181216	G6	39154-0028	PB231005	F13	92110-0031	PB351405	C8	21175-0199	PB401023	F12	28012-1077	PB402407	F4	28011-0094	PB531004	B10	92028-1490
PB181217	G6	55028-0153-777	PB231006	F13	92110-0032	PB351406	C8	21176-0048	PB401024	F8	23007-0122	PB402408	F4	92069-1007	PB531005	B10	92028-1492
PB181218	G6	55028-0153-H8	PB231007	F13	92110-0040	PB351407	C8	21176-0058	PB401025	F8	23008-0082	PB402409	F4	92171-1601	PB531006	B10	92028-1493
PB181219	G7	11055-0745	PB231008	F13	92110-0041	PB351408	C8	21176-0065	PB401026	F8	23017-0004	PB402410	F4	39145-0039	PB531007	B10	92028-1494
PB181220	G7	55028-0229	PB231009	F13	92110-0042	PB351409	C8	21176-0066	PB401027	F8	49016-0043	PB402412	F4	25005-0088	PB531008	B10	92028-1582
PB181221	G7	11054-1752-18R	PB231010	F13	92110-0043	PB351410	C8	21176-0136	PB401028	F8	92069-1016	PB402413	F4	25015-0013	PB531009	B10	92028-1586
PB181222	G7	11054-1753-18R	PB231011	F13	92110-0045	PB351411	C8	21176-1120	PB401029	F8	92069-1126	PB402414	F4	25031-0361	PB531010	B10	13031-0120
PB181223	G7	39156-0439	PB231012	F13	92110-1132	PB351412	C8	11054-1932	PB401030	F8	92143-1353	PB402600	F4	28011-0178	PB531200	B10	13234-0044
PB181224	G7	55028-0271-777	PB231013	F13	92111-0004	PB351413	C8	92037-1539	PB401031	F8	92161-0036	PB403400	C8	21176-0143	PB531201	B10	92028-1422
PB181225	G7	55028-0271-H8	PB231014	F13	92112-0003	PB351414	C8	92161-0531	PB401400	F12	27010-0097	PB511000	B3	11008-0119	PB531202	B10	92028-1423
PB181226	G7	55028-0272-777	PB231600	G6	11054-1613	PB351415	C14	14024-1232	PB401401	F12	11045-1641	PB511001	B3	92066-0002	PB531203	B10	92028-1424
PB181227	G7	55028-0272-H8	PB231601	G6	11054-1614	PB351416	C14	16160-0148	PB401402	F12	27010-0080	PB511002	B3	11004-0080	PB541000	C3	11009-1105
PB181228	G6	11055-1704	PB231602	G6	56001-0098	PB351417	C14	49054-1056	PB401403	F12	92145-0683	PB511003	B4	11065-0208	PB541001	C3	11061-0417
PB181229	G7	39156-0506	PB231603	G6	56001-0099	PB351600	C12	13107-1176	PB401406	E10	46091-0205	PB511004	B4	12021-1130	PB541001	C8	11061-0417
PB181243	F6	36040-0114-H8	PB231604	G6	92160-1089	PB351601	C12	13193-1002	PB401407	E10	46091-0207	PB511005	B3	13272-0260	PB541001	C9	11061-0417
PB181244	F6	36040-0114-777	PB231605	G6	56001-0196	PB351602	C12	92081-159	PB401600	F11	11055-0844	PB511006	B3	13272-0261	PB541002	C3	13169-1659
PB181245	F6	36040-0115-H8	PB231606	G6	56001-0197	PB351603	C12	16085-1166	PB401601	F11	27002-0007	PB511007	B3	16065-0051	PB541003	C3	14001-0147
PB181246	F6	36040-0115-777	PB232600	F12	27008-0053	PB351604	C12	21163-1317	PB401602	F11	27002-1091	PB511008	B4	11061-0282	PB541004	C3	92066-1252
PB181247	G7	39156-0607	PB232601	F12	27016-0022	PB351605	C12	21039-1066	PB401603	F11	27003-0058	PB511009	B4	11061-0283	PB541005	C3	14013-004
PB181247	G7	39156-0662	PB232602	F12	32074-0012	PB351606	C12	21040-1057	PB401604	F11	27003-0071	PB511010	B4	14091-0724	PB541006	C3	14070-1081
PB181400	D9	35004-0079-777	PB232603	F12	55020-0466	PB351607	C12	26011-0145	PB401800	F11	26012-0088	PB511011	B3	49002-0009	PB541007	C3	32102-1017
PB181401	D9	35004-0079-H8	PB232604	F12	27005-5144	PB351608	C12	27010-1213	PB401803	F11	26011-0290	PB511012	B3	92170-1722	PB541008	C3	32102-1018
PB181402	D9	35030-0006	PB232605	F12	27016-5353	PB351609	C12	92075-1863	PB401804	F11	26011-0291	PB511013	B3	92170-1908	PB541009	C3	670D1509
PB181403	D9	92152-0422	PB232606	F12	27045-5421	PB351610	C12	59051-1154	PB401805	F11	26012-0130	PB511016	B5	11061-0433	PB541011	C3	670D2012
PB181404	D10	11055-1181	PB233000	F14	56031-1441	PB351611	C12	92026-1285	PB402200	F11	11054-1754	PB511017	B3	11008-0205	PB541012	C3	92049-1506
PB181405	D10	35015-0020	PB233001	F14	56033-0237	PB351612	C12	27010-1269	PB402201	F11	26011-0151	PB511018	B8	12004-0042	PB541013	C3	92049-1559

**This catalog covers:
'10~'11 EX250 KAF/KBF**

**GRID NO. This grid covers:
L-16 Numerical Parts Index**

BAL Part No.	Grid No.	KHI Part No.	BAL Part No.	Grid No.	KHI Part No.	BAL Part No.	Grid No.	KHI Part No.	BAL Part No.	Grid No.	KHI Part No.	BAL Part No.	Grid No.	KHI Part No.	BAL Part No.	Grid No.	KHI Part No.
PB541014	C3	92066-1096	PB551408	B11	13102-0036	PB571018	C7	51044-0045	PB591018	B8	92049-1349	PB601205	C13	14075-1061			
PB541015	C3	92190-1489	PB551409	B11	46102-0114	PB571020	C9	16082-0055	PB591019	B8	92180-1014	PB601206	C13	49085-1066			
PB541016	C3	51044-0050	PB551410	B11	13095-0097	PB581000	B6	11038-0019	PB591020	B8	92180-1016	PB601207	C14	39062-0193			
PB541017	C3	92066-1174	PB551411	B11	92026-0115	PB581001	B6	11013-0020	PB591021	B8	92180-1018	PB601208	C14	39062-0194			
PB541017	C9	92066-1174	PB551412	B11	92139-0091	PB581002	B6	11065-0185	PB591022	B8	92180-1020	PB601209	C14	39062-0195			
PB541018	C3	14070-0006	PB551413	B11	92139-0295	PB581003	B6	13280-0226	PB591023	B8	92180-1022	PB601210	C14	39062-0196			
PB541019	C9	16130-1063	PB551414	B11	13102-0040	PB581004	B6	14073-0179	PB591024	B8	92180-1024	PB601211	C14	39062-1246			
PB541200	C5	11009-1872	PB551415	C5	14044-0045	PB581005	B6	14073-0196	PB591025	B8	92180-1026	PB601212	C14	92170-1033			
PB541201	C5	14032-0095	PB561000	B13	13145-1058	PB581006	B6	59006-0014	PB591026	B8	92180-1028	PB601213	C14	92170-1286			
PB541202	C5	14044-0037	PB561001	B13	13239-0029	PB581007	B6	92093-0078	PB591027	B8	92180-1030	PB601214	C14	32102-1531			
PB541203	C5	16115-1068	PB561002	B13	13091-1417	PB581008	B6	92093-0144	PB591028	B8	92180-1032	PB601215	C14	32150-1143			
PB541204	C5	52005-1009	PB561003	B13	13091-1464	PB581009	B6	92171-1584	PB591029	B8	92180-1034	PB601216	C14	39192-0066			
PB541205	C5	92049-1560	PB561004	B13	13140-1148	PB581010	B6	92191-1795	PB591030	B8	92180-1036	PB601218	C14	670B2018			
PB541206	C5	11012-1362	PB561005	B13	13140-1149	PB581011	B6	92192-0446	PB591031	B8	92180-1038	PB601219	C14	92161-0690			
PB541207	C5	11060-1920	PB561006	B13	49047-0035	PB581012	B6	11054-1961	PB591032	B8	92180-1040	PB601220	C14	92161-0691			
PB541208	C5	14031-0080	PB561007	B13	49047-1095	PB581013	B6	16126-0039	PB591033	B8	92180-1042	PB601221	C14	92005-1145			
PB541209	C5	671B2540	PB561008	B13	92066-1246	PB581014	B6	92161-0530	PB591034	B8	92180-1044	PB601222	C13	49016-0052			
PB541210	C5	92066-1163	PB561009	B13	13239-0036	PB581015	B6	92170-1017	PB591035	B8	92180-1046	PB601226	C13	39062-0335			
PB541211	C5	14041-0021	PB561200	B14	13242-0044	PB581016	B6	92171-1913	PB591036	B8	92180-1048	PB601227	C13	39062-0336			
PB541216	C9	14092-0132	PB561201	B14	13242-0050	PB581017	B6	92192-0521	PB591037	B8	92180-1050	PB601228	C13	92152-0846			
PB551000	B12	13127-0051	PB561202	B14	92161-1300	PB581018	B6	92192-0754	PB591038	B8	92180-1052	PB601229	C14	14092-0133			
PB551001	B12	13128-0037	PB561203	B14	39110-1075	PB581019	B6	92037-213	PB591039	B8	92180-1054	PB601230	C14	39062-0337			
PB551002	B12	13144-0054	PB561205	B13	49047-0040	PB581020	B6	92059-1676	PB591040	B7	18087-0227	PB601231	C14	39062-0338			
PB551003	B12	92139-0293	PB561206	B13	13280-0368	PB581021	B6	92170-1438	PB591041	B7	39178-0154	PB601232	C14	39062-0339			
PB551004	B12	92139-0294	PB561207	B13	92154-0355	PB581022	B6	92170-1695	PB591042	B7	11061-0432	PB601233	C14	39192-0131			
PB551005	B12	92139-0297	PB561208	B14	13161-0076	PB581023	B6	11038-0031	PB591043	B7	14041-0049	PB601234	C14	39192-0129			
PB551006	B12	92210-0605	PB561209	C3	13272-0882	PB581020	B6	92173-0190	PB591044	B7	14041-0050	PB601235	C14	39192-0128			
PB551200	B12	13262-0461	PB561400	B14	13161-0070	PB581401	B6	92173-0192	PB591045	B7	18087-0232	PB601236	C14	92005-0120			
PB551201	B12	13262-0462	PB561401	B14	92027-1440	PB581402	B6	92173-0193	PB591046	B7	39156-0666	PB611200	C6	16163-0113			
PB551202	B12	13262-0463	PB561402	B14	92081-076	PB581403	B6	92173-0198	PB591047	B7	39156-0667	PB611201	C6	16073-3707			
PB551203	B12	13262-0464	PB561403	B14	92144-1074	PB581404	B6	92192-0902	PB591048	B7	39178-0158	PB611202	C6	31064-0164			
PB551204	B12	92028-1426	PB561404	B14	13242-0065	PB581405	B6	92192-0903	PB591049	B7	92173-0196	PB611203	C6	49033-0013			
PB551205	B12	92028-1857	PB561405	B14	13242-0071	PB591000	B7	11009-1667	PB591050	B7	92173-0200						
PB551206	B12	13262-0465	PB571000	C7	49040-0029	PB591001	B7	11061-0287	PB601000	C14	21126-008						
PB551207	B12	13262-0466	PB571001	C9	16082-1078	PB591002	B7	14041-0027	PB601001	C14	49044-1086						
PB551208	B12	13262-0467	PB571002	C9	11061-0341	PB591003	B7	14041-0023	PB601002	C14	671D2535						
PB551209	B12	13262-0468	PB571004	C9	13169-1313	PB591004	B7	39156-0458	PB601003	C13	11009-1145						
PB551210	B12	13262-0469	PB571005	C9	14025-1422	PB591005	B7	92092-1013	PB601004	C13	11012-1084						
PB551211	B12	13262-0470	PB571006	C9	14091-1575	PB591006	B7	92152-0667	PB601005	C13	11055-0389						
PB551213	B12	92028-1564	PB571007	C9	16099-003	PB591007	B7	92161-0723	PB601006	C13	11055-1010-18R						
PB551214	B12	92028-1858	PB571008	C9	16111-003	PB591008	B7	92171-0059	PB601007	C13	39062-0191						
PB551215	B12	92143-1968	PB571009	C9	16126-1108	PB591009	B7	92171-0061	PB601008	C13	39062-0192						
PB551400	B11	13087-0039	PB571010	C9	92081-109	PB591010	B7	92171-1903	PB601009	C13	43078-0042						
PB551401	B11	13088-0038	PB571011	C9	16130-1001	PB591011	B8	12004-0025	PB601010	C13	92152-1364						
PB551402	B11	13088-0039	PB571012	C9	26011-0200	PB591012	B8	12005-0045	PB601011	C13	92173-0050						
PB551403	B11	13089-0021	PB571013	C9	27010-1360	PB591013	B8	12009-1073	PB601200	C13	28018-0002						
PB551404	B11	13187-0015	PB571014	C14	670B2016	PB591014	B8	12011-1053	PB601201	C13	39060-0054						
PB551405	B11	92145-0531	PB571014	C9	670B2016	PB591015	B8	12032-0008	PB601202	C13	59502-0034						
PB551406	B11	92026-0114	PB571015	C9	671B2590	PB591016	B8	16007-0028	PB601203	C13	92075-209						
PB551407	B11	16085-0133	PB571017	C9	92081-1018	PB591017	B8	49078-0060	PB601204	C13	92152-0580						

This catalog covers:

'10~'11 EX250 KAF/KBF

GRID NO.

B-16

This grid covers:

Part Name Index

Air Cleaner.....	B-6
Brake Pedal.....	E-3
Cables.....	F-5
Camshaft(s).....	B-9
Chain Cover.....	F-6
Chassis Electrical Equipment.....	F-11
Clutch.....	B-11
Cowling.....	G-6
Cowling Lowers.....	G-7
Crankcase.....	C-3
Crankcase Bolt Pattern.....	C-4
Crankshaft.....	B-10
Cylinder.....	B-5
Cylinder Head.....	B-3
Cylinder Head Cover.....	B-4
Decals(Ebony)(KAF).....	G-3
Decals(Ebony)(KBF).....	G-5
Decals(Green)(KAF/KBF).....	G-4
Engine Cover(s).....	C-5
Engine Mount.....	D-4
Footrests.....	D-8
Frame.....	D-3
Frame Fittings.....	D-5
Front Brake(KAF).....	E-5
Front Brake(KBF).....	E-6
Front Fender(s).....	D-9
Front Fork.....	E-11
Front Hub.....	D-13
Front Master Cylinder.....	E-4
Fuel Injection.....	C-8
Fuel Pump.....	C-7
Fuel Tank(KAF).....	E-12
Fuel Tank(KBF).....	E-13
Gear Change Drum.....	B-13
Gear Change Mechanism.....	B-14

Generator.....	C-10
Guard(s).....	F-7
Handlebar.....	E-10
Headlight(s).....	F-8
Ignition Switch.....	F-12
Ignition System.....	C-11
Labels.....	F-14
Meter(s).....	F-4
Muffler(s).....	B-7
Oil Pump.....	C-9
Owner's Tools.....	F-13
Piston(s).....	B-5
Radiator.....	C-13
Rear Brake(KAF).....	E-8
Rear Brake(KBF).....	E-9
Rear Fender(s).....	D-10
Rear Hub.....	D-14
Rear Master Cylinder.....	E-7
Seat.....	E-14/F-3
Shift Fork(s).....	B-13
Shock Absorber.....	D-7
Side Covers.....	F-6
Stand(s).....	D-11
Starter Motor.....	C-12
Suspension.....	D-7
Swingarm.....	D-6
Taillight(s).....	F-9
Tensioner.....	B-9
Throttle.....	C-6
Tires.....	D-12
Transmission.....	B-12
Turn Signals.....	F-10
Valve(s).....	B-8
Water Pipe.....	C-14

This catalog covers:

'10~'11 EX250 KAF/KBF

GRID NO.

C-16

This grid covers:

Part Name Index

Air Cleaner.....	B-6
Brake Pedal.....	E-3
Cables.....	F-5
Camshaft(s).....	B-9
Chain Cover.....	F-6
Chassis Electrical Equipment.....	F-11
Clutch.....	B-11
Cowling.....	G-6
Cowling Lowers.....	G-7
Crankcase.....	C-3
Crankcase Bolt Pattern.....	C-4
Crankshaft.....	B-10
Cylinder.....	B-5
Cylinder Head.....	B-3
Cylinder Head Cover.....	B-4
Decals(Ebony)(KAF).....	G-3
Decals(Ebony)(KBF).....	G-5
Decals(Green)(KAF/KBF).....	G-4
Engine Cover(s).....	C-5
Engine Mount.....	D-4
Footrests.....	D-8
Frame.....	D-3
Frame Fittings.....	D-5
Front Brake(KAF).....	E-5
Front Brake(KBF).....	E-6
Front Fender(s).....	D-9
Front Fork.....	E-11
Front Hub.....	D-13
Front Master Cylinder.....	E-4
Fuel Injection.....	C-8
Fuel Pump.....	C-7
Fuel Tank(KAF).....	E-12
Fuel Tank(KBF).....	E-13
Gear Change Drum.....	B-13
Gear Change Mechanism.....	B-14

Generator.....	C-10
Guard(s).....	F-7
Handlebar.....	E-10
Headlight(s).....	F-8
Ignition Switch.....	F-12
Ignition System.....	C-11
Labels.....	F-14
Meter(s).....	F-4
Muffler(s).....	B-7
Oil Pump.....	C-9
Owner's Tools.....	F-13
Piston(s).....	B-5
Radiator.....	C-13
Rear Brake(KAF).....	E-8
Rear Brake(KBF).....	E-9
Rear Fender(s).....	D-10
Rear Hub.....	D-14
Rear Master Cylinder.....	E-7
Seat.....	E-14/F-3
Shift Fork(s).....	B-13
Shock Absorber.....	D-7
Side Covers.....	F-6
Stand(s).....	D-11
Starter Motor.....	C-12
Suspension.....	D-7
Swingarm.....	D-6
Taillight(s).....	F-9
Tensioner.....	B-9
Throttle.....	C-6
Tires.....	D-12
Transmission.....	B-12
Turn Signals.....	F-10
Valve(s).....	B-8
Water Pipe.....	C-14

This catalog covers:

'10~'11 EX250 KAF/KBF

GRID NO.

D-16

This grid covers:

Part Name Index

Air Cleaner.....	B-6
Brake Pedal.....	E-3
Cables.....	F-5
Camshaft(s).....	B-9
Chain Cover.....	F-6
Chassis Electrical Equipment.....	F-11
Clutch.....	B-11
Cowling.....	G-6
Cowling Lowers.....	G-7
Crankcase.....	C-3
Crankcase Bolt Pattern.....	C-4
Crankshaft.....	B-10
Cylinder.....	B-5
Cylinder Head.....	B-3
Cylinder Head Cover.....	B-4
Decals(Ebony)(KAF).....	G-3
Decals(Ebony)(KBF).....	G-5
Decals(Green)(KAF/KBF).....	G-4
Engine Cover(s).....	C-5
Engine Mount.....	D-4
Footrests.....	D-8
Frame.....	D-3
Frame Fittings.....	D-5
Front Brake(KAF).....	E-5
Front Brake(KBF).....	E-6
Front Fender(s).....	D-9
Front Fork.....	E-11
Front Hub.....	D-13
Front Master Cylinder.....	E-4
Fuel Injection.....	C-8
Fuel Pump.....	C-7
Fuel Tank(KAF).....	E-12
Fuel Tank(KBF).....	E-13
Gear Change Drum.....	B-13
Gear Change Mechanism.....	B-14

Generator.....	C-10
Guard(s).....	F-7
Handlebar.....	E-10
Headlight(s).....	F-8
Ignition Switch.....	F-12
Ignition System.....	C-11
Labels.....	F-14
Meter(s).....	F-4
Muffler(s).....	B-7
Oil Pump.....	C-9
Owner's Tools.....	F-13
Piston(s).....	B-5
Radiator.....	C-13
Rear Brake(KAF).....	E-8
Rear Brake(KBF).....	E-9
Rear Fender(s).....	D-10
Rear Hub.....	D-14
Rear Master Cylinder.....	E-7
Seat.....	E-14/F-3
Shift Fork(s).....	B-13
Shock Absorber.....	D-7
Side Covers.....	F-6
Stand(s).....	D-11
Starter Motor.....	C-12
Suspension.....	D-7
Swingarm.....	D-6
Taillight(s).....	F-9
Tensioner.....	B-9
Throttle.....	C-6
Tires.....	D-12
Transmission.....	B-12
Turn Signals.....	F-10
Valve(s).....	B-8
Water Pipe.....	C-14

This catalog covers:

'10~'11 EX250 KAF/KBF

GRID NO.

E-16

This grid covers:

Part Name Index

Air Cleaner.....	B-6
Brake Pedal.....	E-3
Cables.....	F-5
Camshaft(s).....	B-9
Chain Cover.....	F-6
Chassis Electrical Equipment.....	F-11
Clutch.....	B-11
Cowling.....	G-6
Cowling Lowers.....	G-7
Crankcase.....	C-3
Crankcase Bolt Pattern.....	C-4
Crankshaft.....	B-10
Cylinder.....	B-5
Cylinder Head.....	B-3
Cylinder Head Cover.....	B-4
Decals(Ebony)(KAF).....	G-3
Decals(Ebony)(KBF).....	G-5
Decals(Green)(KAF/KBF).....	G-4
Engine Cover(s).....	C-5
Engine Mount.....	D-4
Footrests.....	D-8
Frame.....	D-3
Frame Fittings.....	D-5
Front Brake(KAF).....	E-5
Front Brake(KBF).....	E-6
Front Fender(s).....	D-9
Front Fork.....	E-11
Front Hub.....	D-13
Front Master Cylinder.....	E-4
Fuel Injection.....	C-8
Fuel Pump.....	C-7
Fuel Tank(KAF).....	E-12
Fuel Tank(KBF).....	E-13
Gear Change Drum.....	B-13
Gear Change Mechanism.....	B-14

Generator.....	C-10
Guard(s).....	F-7
Handlebar.....	E-10
Headlight(s).....	F-8
Ignition Switch.....	F-12
Ignition System.....	C-11
Labels.....	F-14
Meter(s).....	F-4
Muffler(s).....	B-7
Oil Pump.....	C-9
Owner's Tools.....	F-13
Piston(s).....	B-5
Radiator.....	C-13
Rear Brake(KAF).....	E-8
Rear Brake(KBF).....	E-9
Rear Fender(s).....	D-10
Rear Hub.....	D-14
Rear Master Cylinder.....	E-7
Seat.....	E-14/F-3
Shift Fork(s).....	B-13
Shock Absorber.....	D-7
Side Covers.....	F-6
Stand(s).....	D-11
Starter Motor.....	C-12
Suspension.....	D-7
Swingarm.....	D-6
Taillight(s).....	F-9
Tensioner.....	B-9
Throttle.....	C-6
Tires.....	D-12
Transmission.....	B-12
Turn Signals.....	F-10
Valve(s).....	B-8
Water Pipe.....	C-14

This catalog covers:

'10~'11 EX250 KAF/KBF

GRID NO.

F-16

This grid covers:

Part Name Index

Air Cleaner.....	B-6
Brake Pedal.....	E-3
Cables.....	F-5
Camshaft(s).....	B-9
Chain Cover.....	F-6
Chassis Electrical Equipment.....	F-11
Clutch.....	B-11
Cowling.....	G-6
Cowling Lowers.....	G-7
Crankcase.....	C-3
Crankcase Bolt Pattern.....	C-4
Crankshaft.....	B-10
Cylinder.....	B-5
Cylinder Head.....	B-3
Cylinder Head Cover.....	B-4
Decals(Ebony)(KAF).....	G-3
Decals(Ebony)(KBF).....	G-5
Decals(Green)(KAF/KBF).....	G-4
Engine Cover(s).....	C-5
Engine Mount.....	D-4
Footrests.....	D-8
Frame.....	D-3
Frame Fittings.....	D-5
Front Brake(KAF).....	E-5
Front Brake(KBF).....	E-6
Front Fender(s).....	D-9
Front Fork.....	E-11
Front Hub.....	D-13
Front Master Cylinder.....	E-4
Fuel Injection.....	C-8
Fuel Pump.....	C-7
Fuel Tank(KAF).....	E-12
Fuel Tank(KBF).....	E-13
Gear Change Drum.....	B-13
Gear Change Mechanism.....	B-14

Generator.....	C-10
Guard(s).....	F-7
Handlebar.....	E-10
Headlight(s).....	F-8
Ignition Switch.....	F-12
Ignition System.....	C-11
Labels.....	F-14
Meter(s).....	F-4
Muffler(s)b.....	B-7
Oil Pump.....	C-9
Owner's Tools.....	F-13
Piston(s).....	B-5
Radiator.....	C-13
Rear Brake(KAF).....	E-8
Rear Brake(KBF).....	E-9
Rear Fender(s).....	D-10
Rear Hub.....	D-14
Rear Master Cylinder.....	E-7
Seat.....	E-14/F-3
Shift Fork(s).....	B-13
Shock Absorber.....	D-7
Side Covers.....	F-6
Stand(s).....	D-11
Starter Motor.....	C-12
Suspension.....	D-7
Swingarm.....	D-6
Taillight(s).....	F-9
Tensioner.....	B-9
Throttle.....	C-6
Tires.....	D-12
Transmission.....	B-12
Turn Signals.....	F-10
Valve(s).....	B-8
Water Pipe.....	C-14

This catalog covers:

'10~'11 EX250 KAF/KBF

GRID NO.

G-16

This grid covers:

Part Name Index

Air Cleaner.....	B-6
Brake Pedal.....	E-3
Cables.....	F-5
Camshaft(s).....	B-9
Chain Cover.....	F-6
Chassis Electrical Equipment.....	F-11
Clutch.....	B-11
Cowling.....	G-6
Cowling Lowers.....	G-7
Crankcase.....	C-3
Crankcase Bolt Pattern.....	C-4
Crankshaft.....	B-10
Cylinder.....	B-5
Cylinder Head.....	B-3
Cylinder Head Cover.....	B-4
Decals(Ebony)(KAF).....	G-3
Decals(Ebony)(KBF).....	G-5
Decals(Green)(KAF/KBF).....	G-4
Engine Cover(s).....	C-5
Engine Mount.....	D-4
Footrests.....	D-8
Frame.....	D-3
Frame Fittings.....	D-5
Front Brake(KAF).....	E-5
Front Brake(KBF).....	E-6
Front Fender(s).....	D-9
Front Fork.....	E-11
Front Hub.....	D-13
Front Master Cylinder.....	E-4
Fuel Injection.....	C-8
Fuel Pump.....	C-7
Fuel Tank(KAF).....	E-12
Fuel Tank(KBF).....	E-13
Gear Change Drum.....	B-13
Gear Change Mechanism.....	B-14

Generator.....	C-10
Guard(s).....	F-7
Handlebar.....	E-10
Headlight(s).....	F-8
Ignition Switch.....	F-12
Ignition System.....	C-11
Labels.....	F-14
Meter(s).....	F-4
Muffler(s),0g.....	B-7
Oil Pump.....	C-9
Owner's Tools.....	F-13
Piston(s).....	B-5
Radiator.....	C-13
Rear Brake(KAF).....	E-8
Rear Brake(KBF).....	E-9
Rear Fender(s).....	D-10
Rear Hub.....	D-14
Rear Master Cylinder.....	E-7
Seat.....	E-14/F-3
Shift Fork(s).....	B-13
Shock Absorber.....	D-7
Side Covers.....	F-6
Stand(s).....	D-11
Starter Motor.....	C-12
Suspension.....	D-7
Swingarm.....	D-6
Taillight(s).....	F-9
Tensioner.....	B-9
Throttle.....	C-6
Tires.....	D-12
Transmission.....	B-12
Turn Signals.....	F-10
Valve(s).....	B-8
Water Pipe.....	C-14